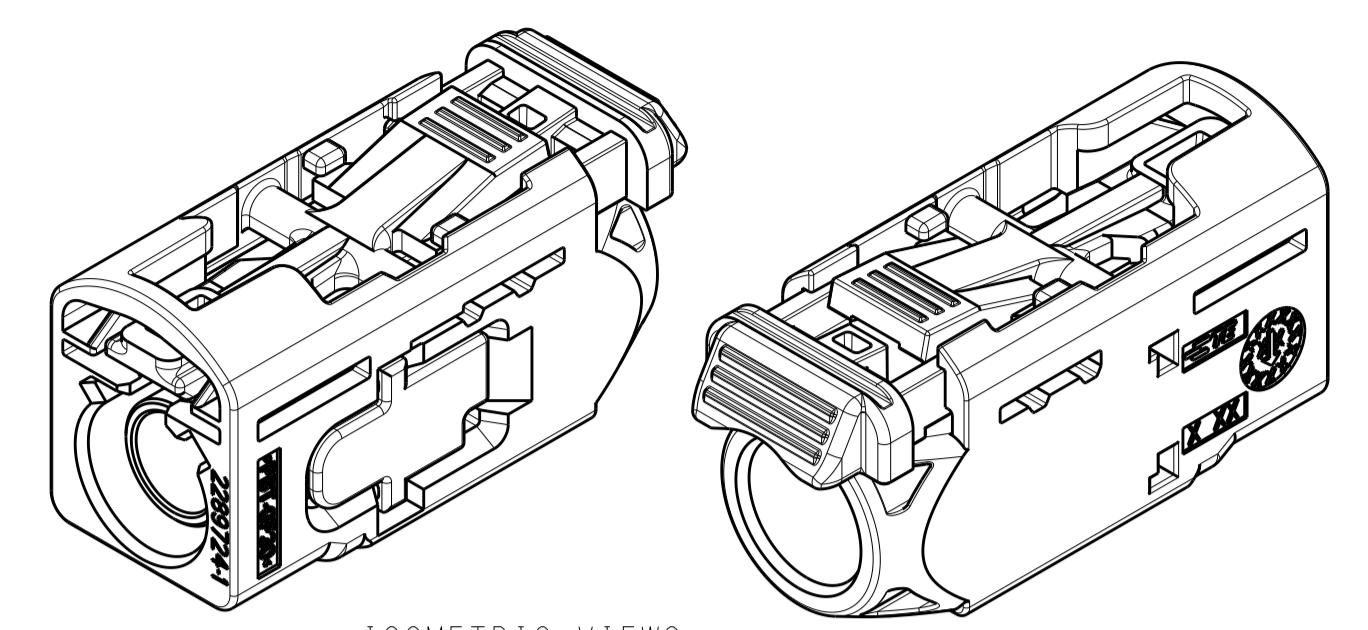
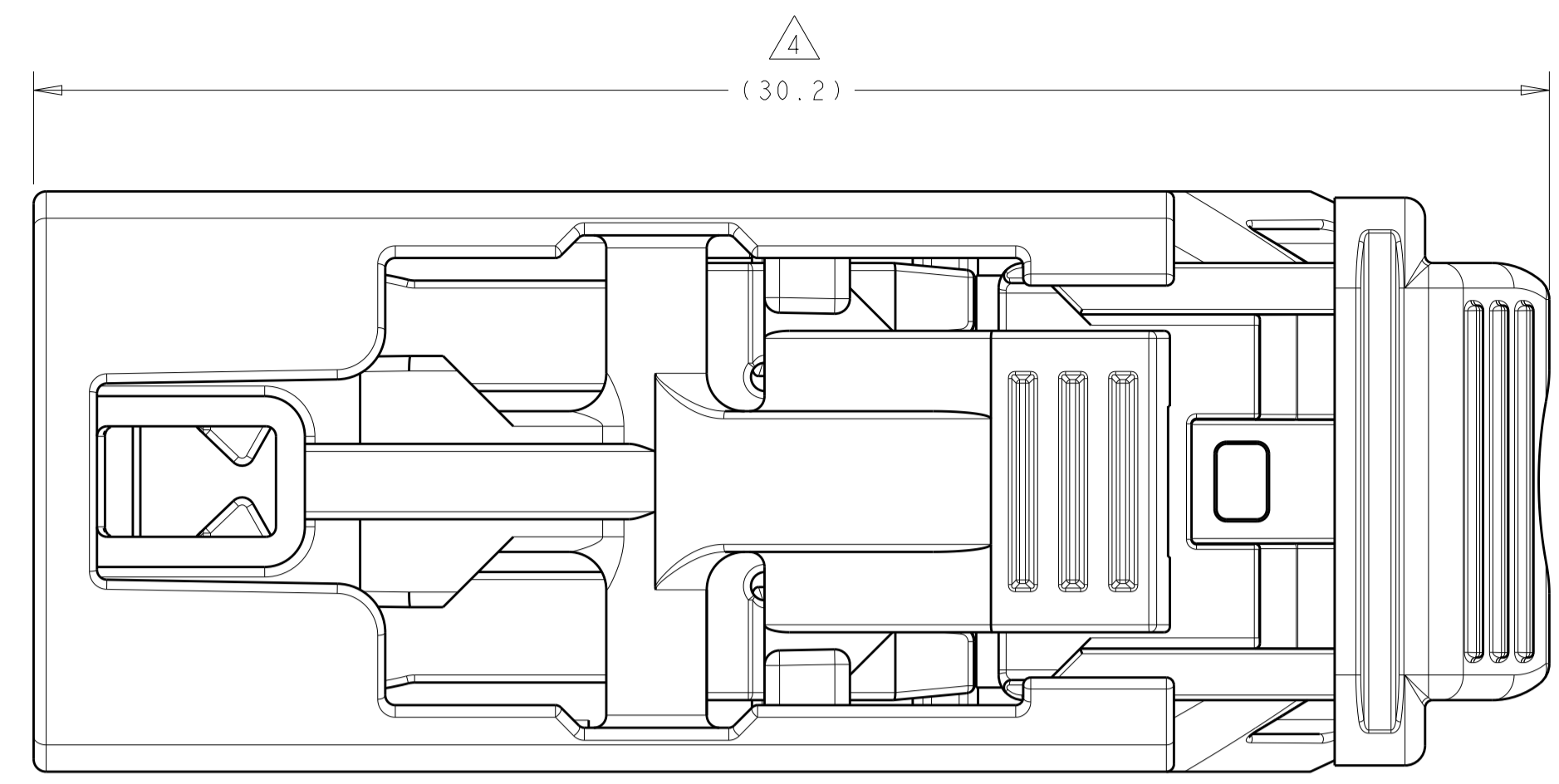
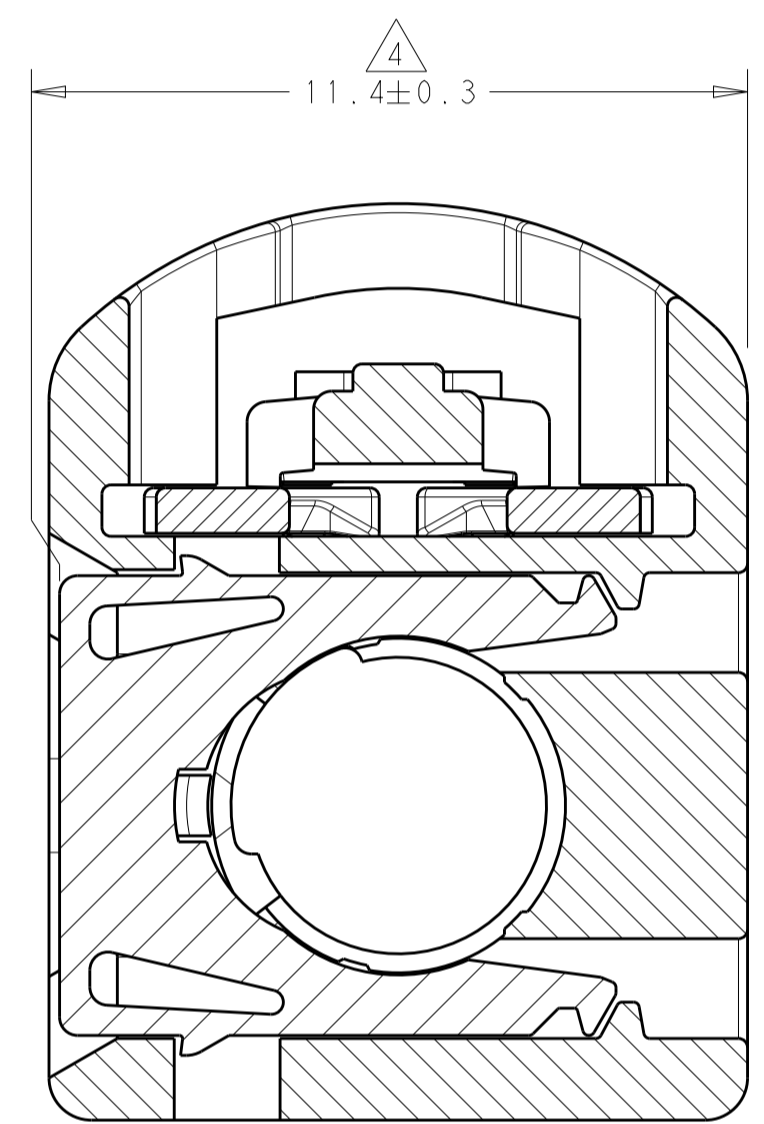
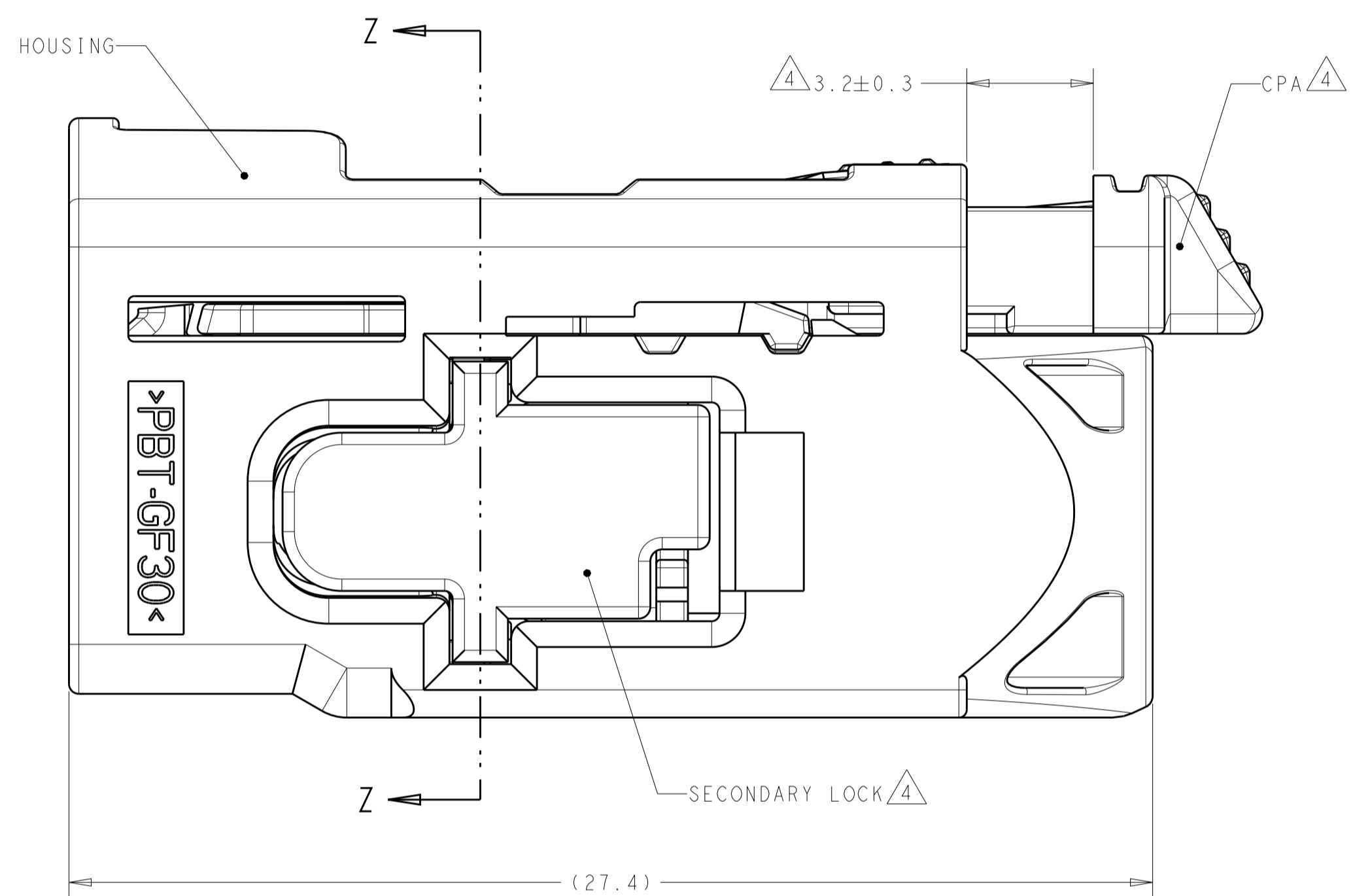
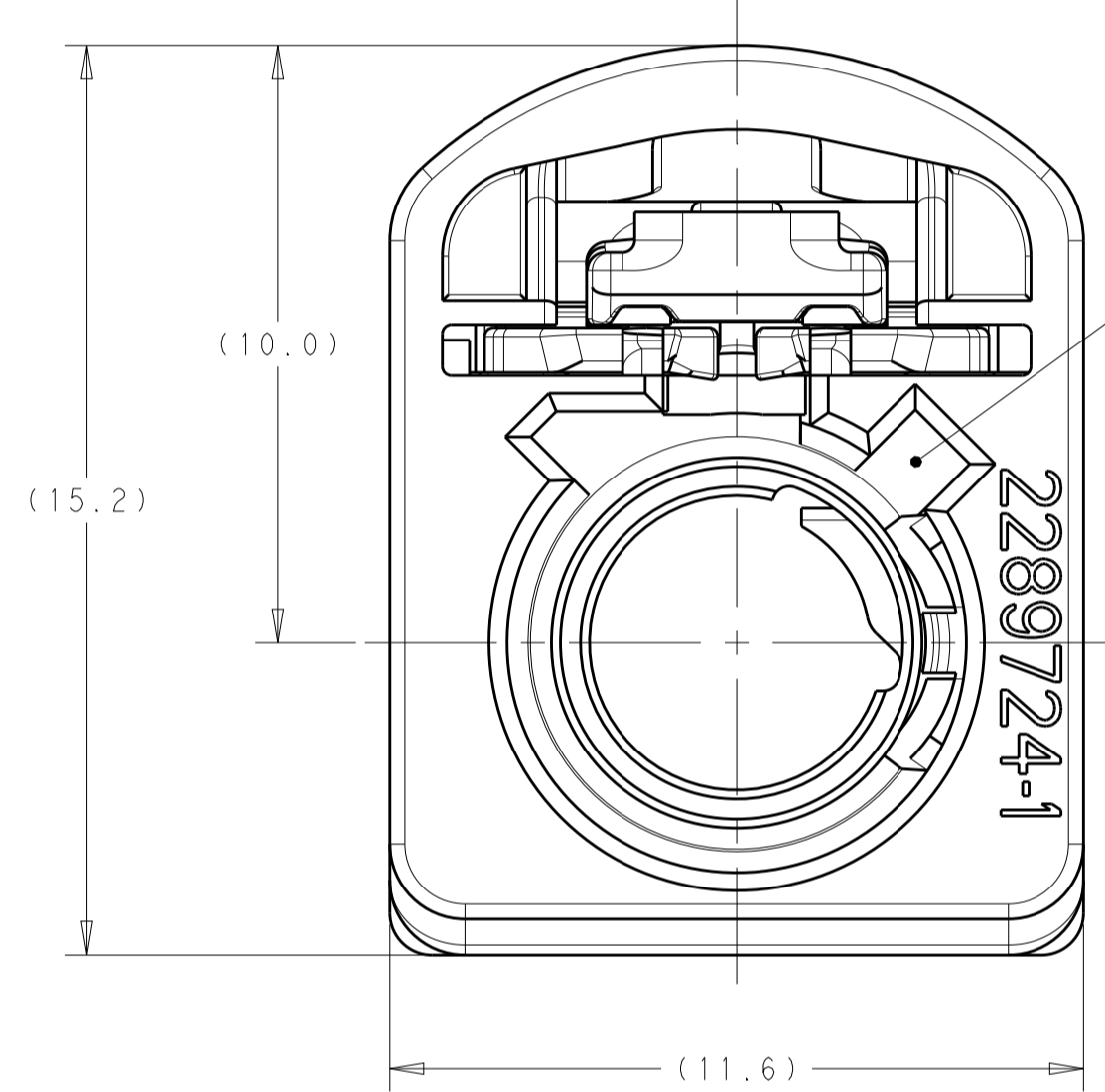


REVISIONS				
P.	LTN	DESCRIPTION	DATE	OWN APVD
A		RELEASED PER ECO-19-002122	11FEB2019	NLE JWH



ISOMETRIC VIEWS  
SCALE 3:1



SECTION Z-Z

2289729-1 AS SHOWN

WITHOUT CPA	WITH CPA	CPA	CABLE ASSEMBLY QTY=1	CODING REF	KEYING	CODING COLOR	PART NUMBER
Z						WATER BLUE	4-2289729-0
N						PASTEL GREEN	3-2289729-3
M						PASTEL ORANGE	3-2289729-2
L						CARMINE RED	3-2289729-1
K						CURRY	3-2289729-0
I						BEIGE	2-2289729-9
H						HEATHER VIOLET	2-2289729-8
G						BLUE GREY	2-2289729-7
F						NUT BROWN	2-2289729-6
E						LEAF GREEN	2-2289729-5
D						CLARET VIOLET	2-2289729-4
C						SIGNAL BLUE	2-2289729-3
B						CREAM	2-2289729-2
A						JET BLACK	2-2289729-1
Z						WATER BLUE	2-2289729-0
N						PASTEL GREEN	1-2289729-3
M						PASTEL ORANGE	1-2289729-2
L						CARMINE RED	1-2289729-1
K						CURRY	1-2289729-0
I						BEIGE	2289729-9
H						HEATHER VIOLET	2289729-8
G						BLUE GREY	2289729-7
F						NUT BROWN	2289729-6
E						LEAF GREEN	2289729-5
D						CLARET VIOLET	2289729-4
C						SIGNAL BLUE	2289729-3
B						CREAM	2289729-2
A						JET BLACK	2289729-1

- 1 HOUSING - POLYESTER PBT, COLOR: SEE TABLE, GLASS FILLED  
 CPA - POLYESTER PBT, TRAFFIC RED, GLASS FILLED  
 SECONDARY LOCK - POLYESTER PBT, WATER BLUE, GLASS FILLED
- 2 CABLE ASSEMBLY: SEE TABLE.
- 3 FEMALE INTERFACE PER ISO-20860-1, ISO-20860-2, SAE/USCAR-17, SAE/USCAR-18.
- 4 SECONDARY LOCK AND CPA IN PRESET POSITION. IF SECONDARY LOCK IS IN FULLY LOCKED POSITION, SEE 408-162008 FOR INSTRUCTIONS TO RESET SECONDARY LOCK TO PRESET POSITION.

THIS DRAWING IS A CONTROLLED DOCUMENT. OWN: D. J. HARDY 14APR2015, CHK: D. J. LANE 14APR2015, APVD: D. J. LANE 14APR2015

TE Connectivity

NAME: FEMALE KIT, CPA, 1 POSITION, FAKRA AUTOMATED

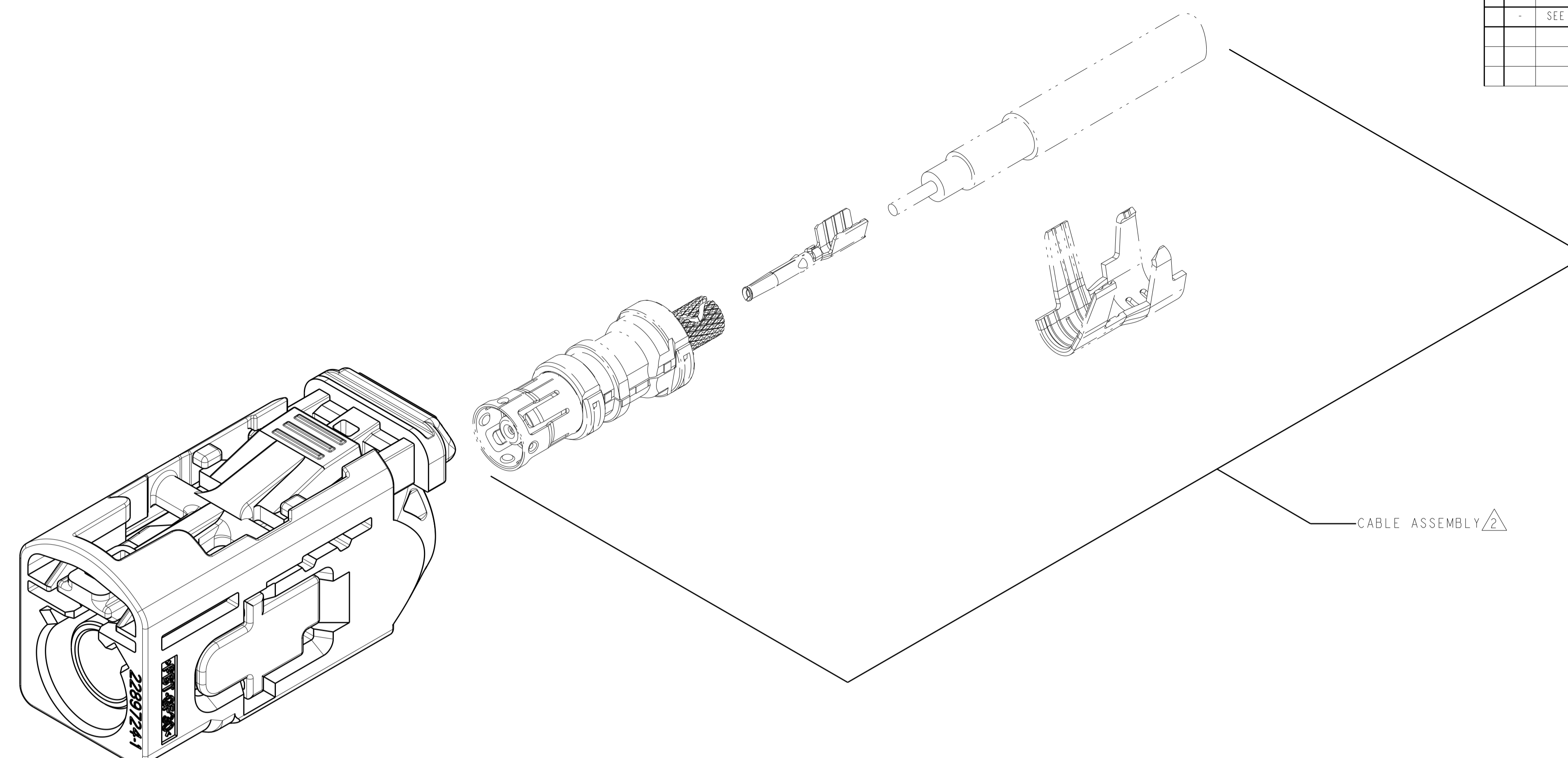
PRODUCT SPEC: 108-32137

APPLICATION SPEC: 114-32145

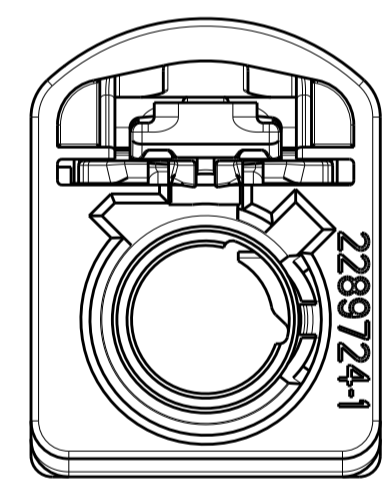
SIZE: A1, CAGE CODE: -

SCALE: 8:1, SHEET 1 OF 2, REV A

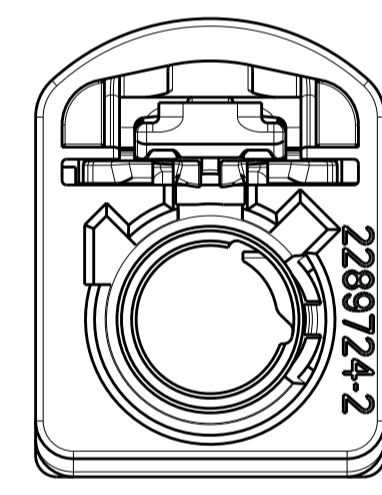
REVISIONS				
P.	LTN	DESCRIPTION	DATE	APVD
-		SEE SHEET 1	-	-



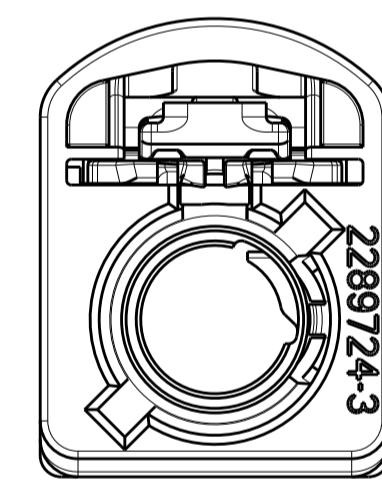
22897291 AS SHOWN  
 SCALE 5:1



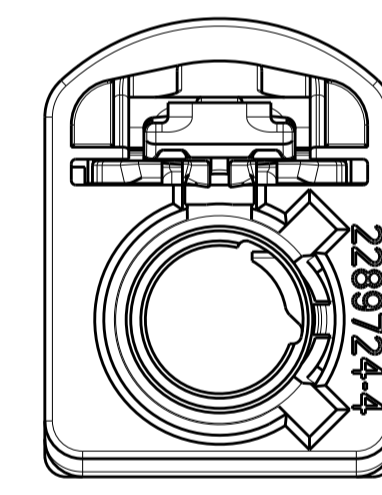
DETAIL A  
 SCALE 4:1



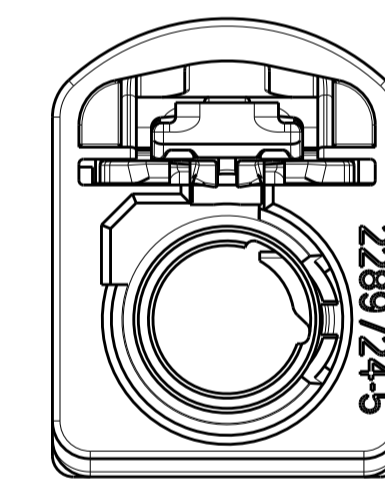
DETAIL B  
 SCALE 4:1



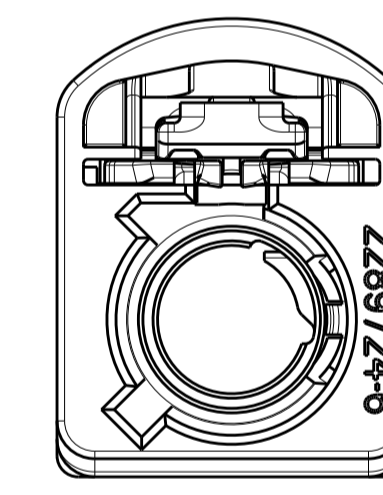
DETAIL C  
 SCALE 4:1



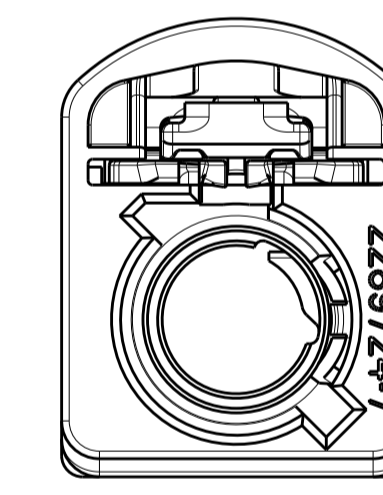
DETAIL D  
 SCALE 4:1



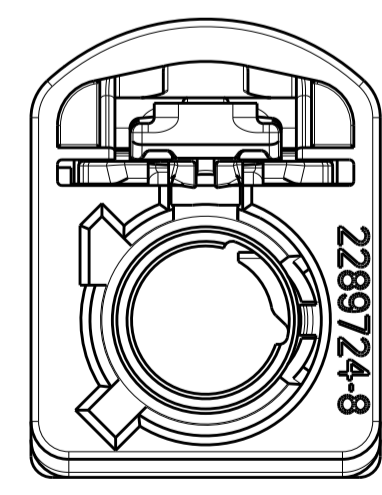
DETAIL E  
 SCALE 4:1



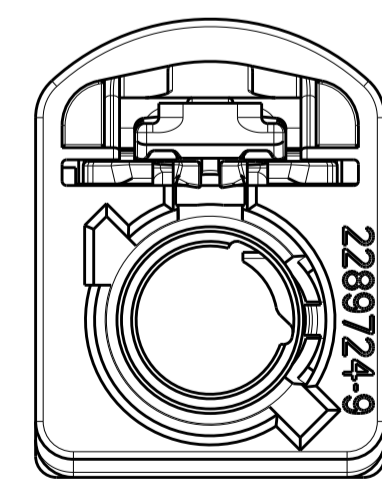
DETAIL F  
 SCALE 4:1



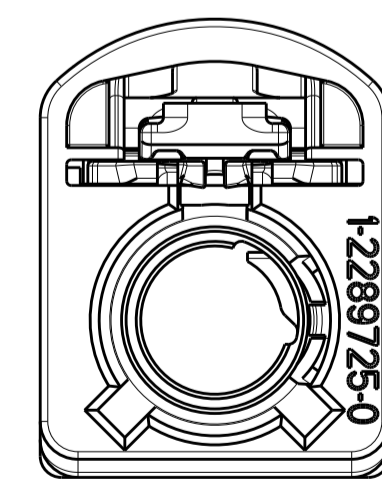
DETAIL G  
 SCALE 4:1



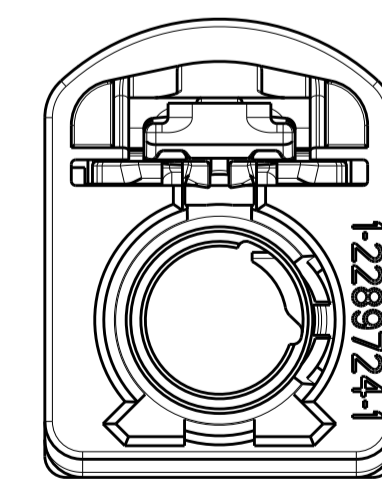
DETAIL H  
 SCALE 4:1



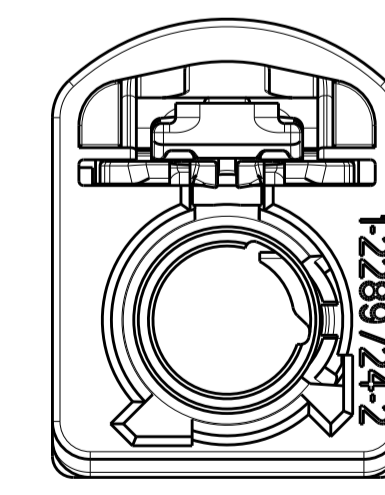
DETAIL I  
 SCALE 4:1



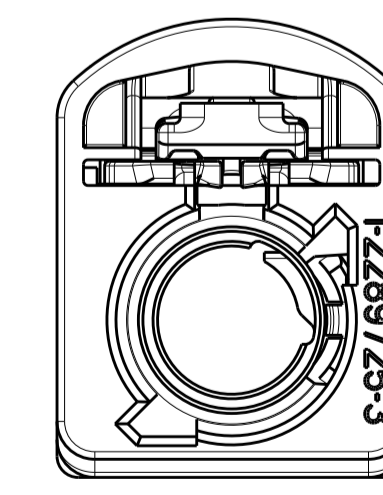
DETAIL K  
 SCALE 4:1



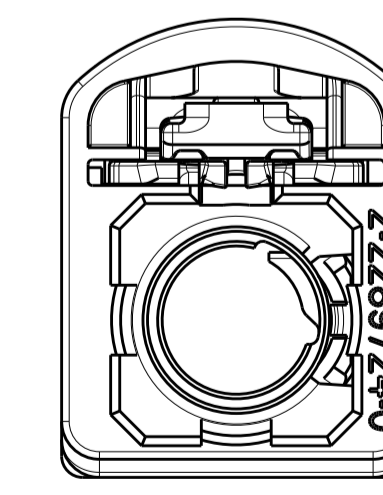
DETAIL L  
 SCALE 4:1



DETAIL M  
 SCALE 4:1



DETAIL N  
 SCALE 4:1



DETAIL Z  
 SCALE 4:1

THIS DRAWING IS A CONTROLLED DOCUMENT.		OWN: D.J.HARDY 14APR2015	TE Connectivity NAME: FEMALE KIT, CPA, 1 POSITION, FAKRA AUTOMATED PRODUCT SPEC: 108-32137 APPLICATION SPEC: 114-32145 WEIGHT: - CUSTOMER DRAWING
DIMENSIONS:		CHK: D.J.LANE 14APR2015	
TOLERANCES UNLESS OTHERWISE SPECIFIED:		APVD: D.J.LANE 14APR2015	
mm		SIZE: A1	
0 PLC	±	CAGE CODE: -	RESTRICTED TO: -
1 PLC	±	SCALE: 5:1	SHEET 2 OF 2
2 PLC	±	REV: A	
3 PLC	±		
4 PLC	±		
ANGLES	±		
FINISH	-		