

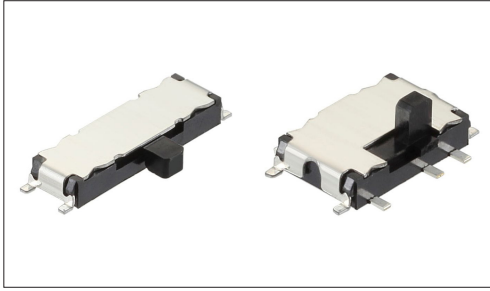
## Switches

## Slide Switches

1.4 (H) mm, 1.5/2.0mm-travel (Surface Mount)

**SSSS8 Series**

Thin-profile type with a body height of 1.4mm.



- Rating (max.)/(min.) (Resistive load): 0.3A 5V DC/50 $\mu$ A 3V DC
- Contact resistance (Initial performance/After lifetime):  
70m $\Omega$  max./130m $\Omega$  max.
- Operating life without load: 10,000 cycles 100m $\Omega$  max.
- Operating life with load (at max. rated load): 10,000 cycles 130m $\Omega$  max.

Applications: Mobile: Smartphones, tablets, Headsets, wearables,  
Notebooks, peripherals  
Energy\_Industrial: Robots, drones, Industrial equipment,  
Converters  
Game: Home handheld consoles, Virtual/augmented reality  
Healthcare: Healthcare equipment, Nursing care equipment,  
Analysis, test equipment  
Audio\_TV: Audio, Cameras

## ■ Product List

Products No.	Actuator directions	Travel (mm)	Poles	Positions	Operating force	Changeover timing	Ground terminal	Soldering	Dimensions (W×D×H) (mm)	Automotive	Drawing No.
SSSS820101	Vertical	1.5	2	2	Refer to the dimensions	Not specified	Without	Reflow	6.7×4.1×1.4	—	1
SSSS820301	Vertical	1.5	2	3	Refer to the dimensions	Not specified	Without	Reflow	9.7×4.1×1.4	—	2
SSSS820201	Vertical	1.5	2	2	Refer to the dimensions	Not specified	With	Reflow	6.7×4.1×1.4	—	3
SSSS820501	Vertical	1.5	2	3	Refer to the dimensions	Not specified	With	Reflow	9.7×4.1×1.4	—	4
SSSS810701	Horizontal	1.5	1	2	Refer to the dimensions	Not specified	Without	Reflow	6.7×2.6×1.4	—	5
SSSS811501	Horizontal	1.5	1	3	Refer to the dimensions	Not specified	Without	Reflow	9.7×2.6×1.4	—	6
SSSS811101	Horizontal	1.5	1	2	Refer to the dimensions	Not specified	With	Reflow	6.7×2.6×1.4	—	7
SSSS812201	Horizontal	1.5	1	3	Refer to the dimensions	Not specified	With	Reflow	9.7×2.6×1.4	—	8
SSSS810201	Horizontal	2.0	1	2	Refer to the dimensions	Not specified	With	Reflow	9.7×2.6×1.4	—	9

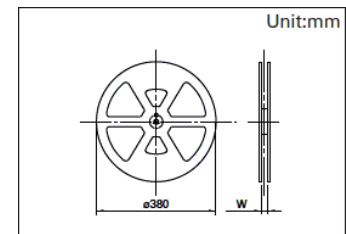
## ⚠ Note

1. This catalog shows only outline specifications. When using the products, please obtain formal specifications for supply.
2. Please place purchase orders for taping products per minimum order unit (1 reel or a case).

## ■ Packing Specifications

## Taping

Products No.	Number of packages(pcs.)			Tape width (mm)	Export package measurements (mm)
	1 reel	1 case / Japan	1 case / export packing		
SSSS820101 SSSS820301 SSSS820201 SSSS820501	1,800	3,600	7,200	24	406 x 406 x 190
SSSS810701 SSSS811501 SSSS811101 SSSS812201 SSSS810201	4,500	9,000	18,000	16	417 x 409 x 139

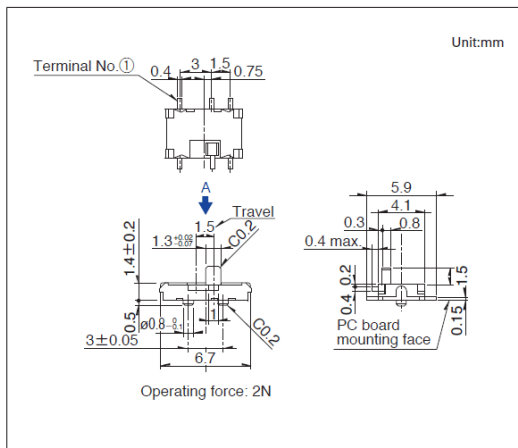


Switches Slide Switches

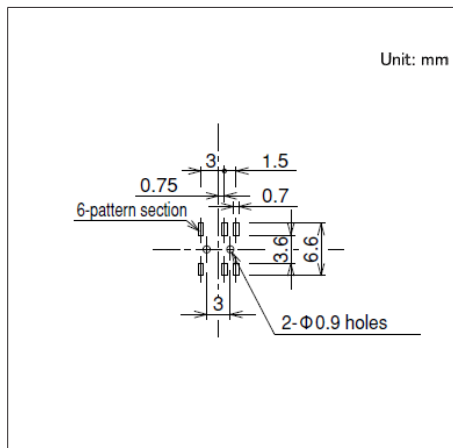
1.4 (H) mm, 1.5/2.0mm-travel (Surface Mount)  
SSSS8 Series

Drawing No.1

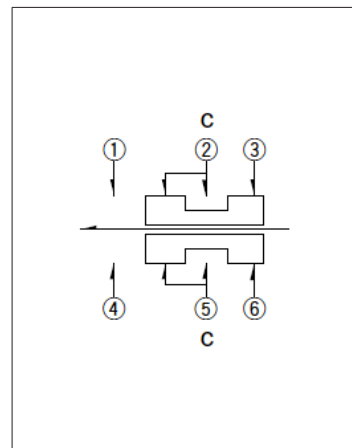
■ Dimensions



■ Land Dimensions



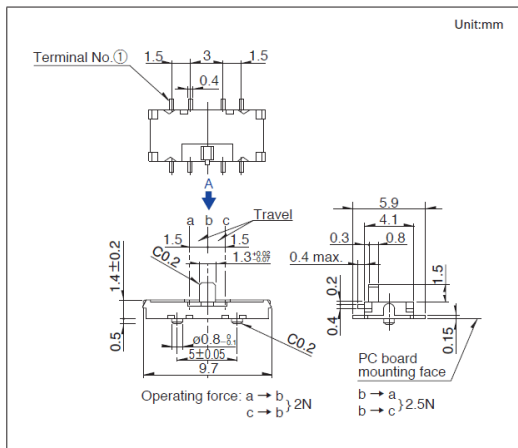
■ Circuit Diagram



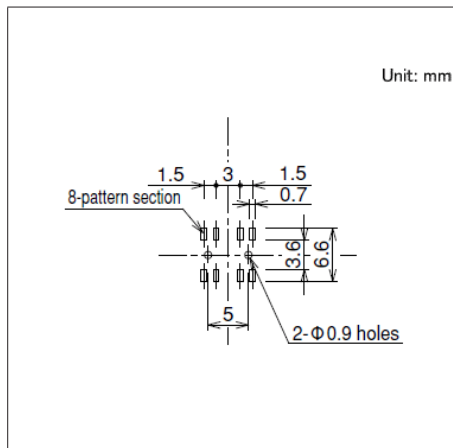
Viewed from direction A in the dimensions.

Drawing No.2

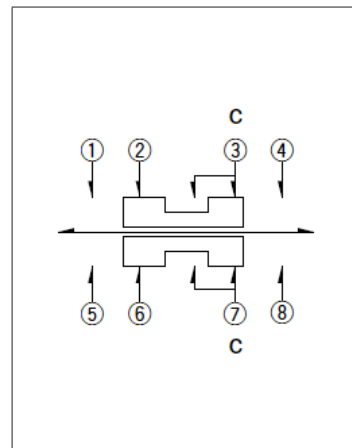
■ Dimensions



■ Land Dimensions



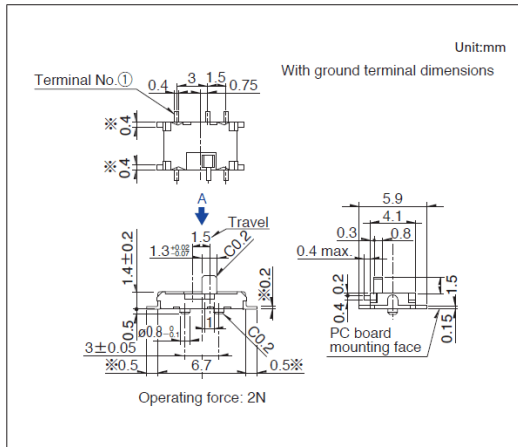
■ Circuit Diagram



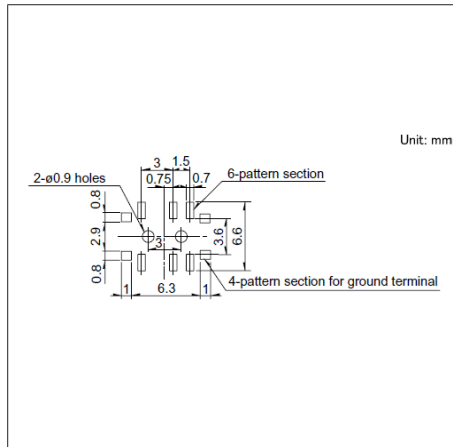
Viewed from direction A in the dimensions.

Drawing No.3

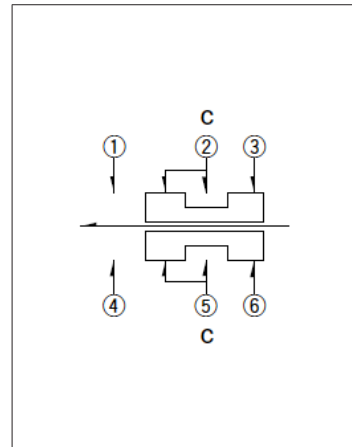
■ Dimensions



■ Land Dimensions



■ Circuit Diagram



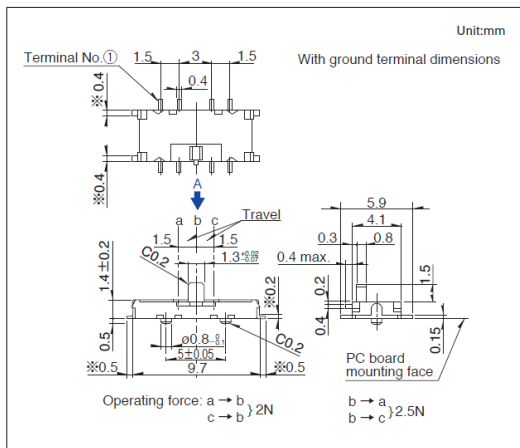
Viewed from direction A in the dimensions.

Switches Slide Switches

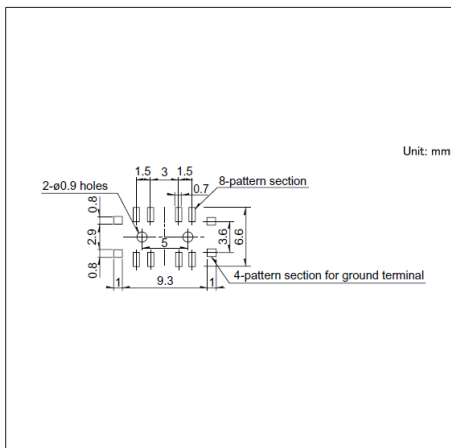
1.4 (H) mm, 1.5/2.0mm-travel (Surface Mount)  
SSSS8 Series

Drawing No.4

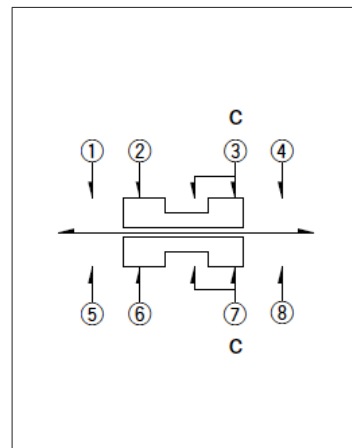
■ Dimensions



■ Land Dimensions



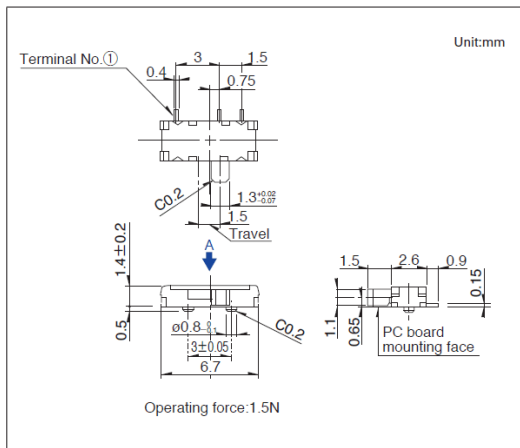
■ Circuit Diagram



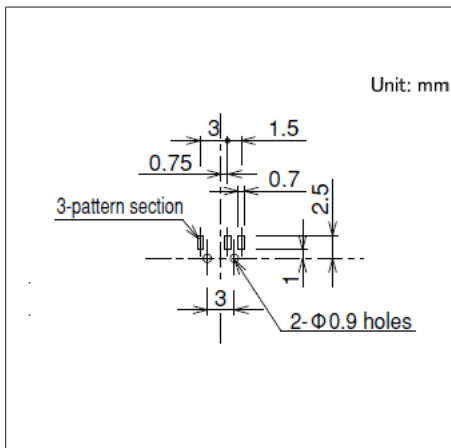
Viewed from direction A in the dimensions.

Drawing No.5

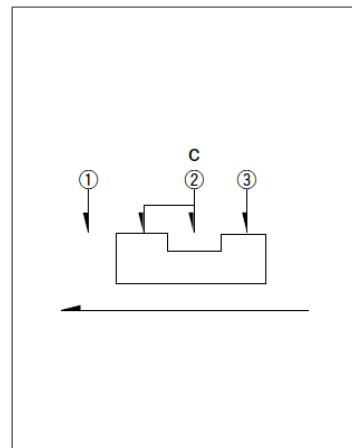
■ Dimensions



■ Land Dimensions



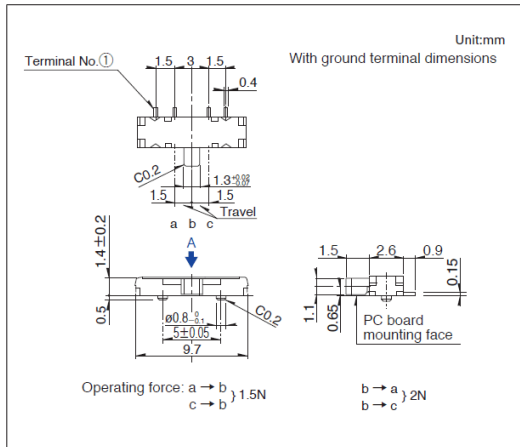
■ Circuit Diagram



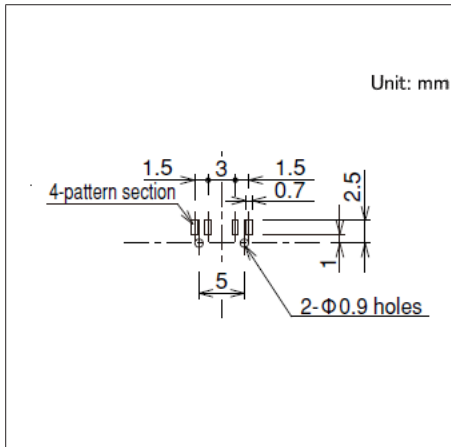
Viewed from direction A in the dimensions.

Drawing No.6

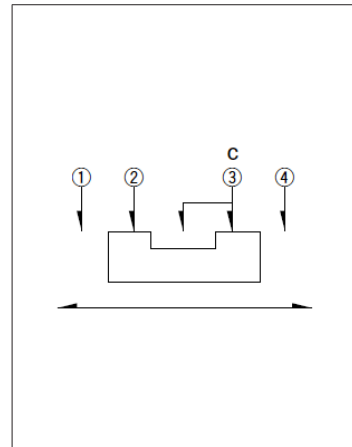
■ Dimensions



■ Land Dimensions



■ Circuit Diagram



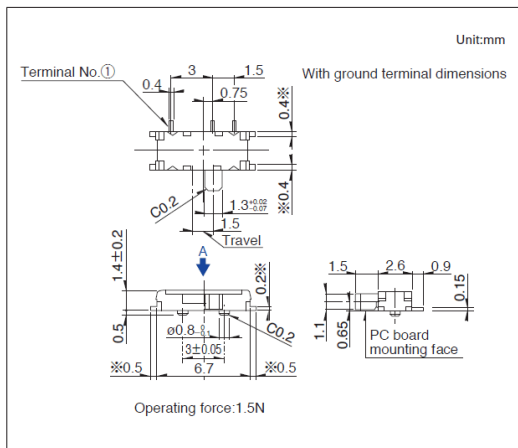
Viewed from direction A in the dimensions.

Switches Slide Switches

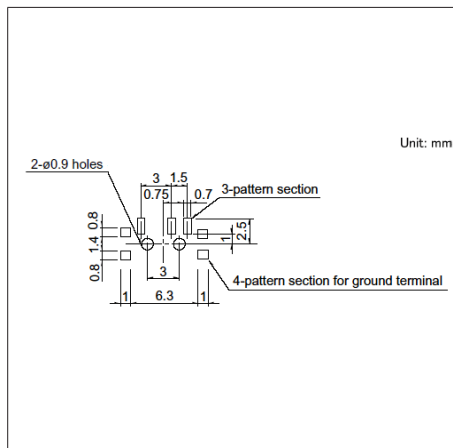
1.4 (H) mm, 1.5/2.0mm-travel (Surface Mount)  
**SSSS8 Series**

**Drawing No.7**

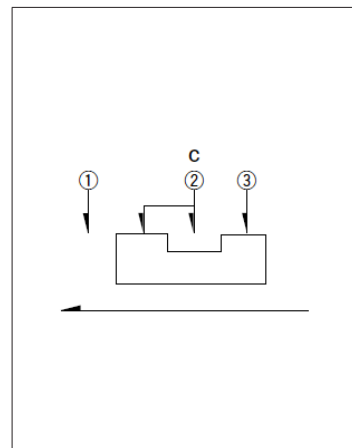
■ Dimensions



■ Land Dimensions



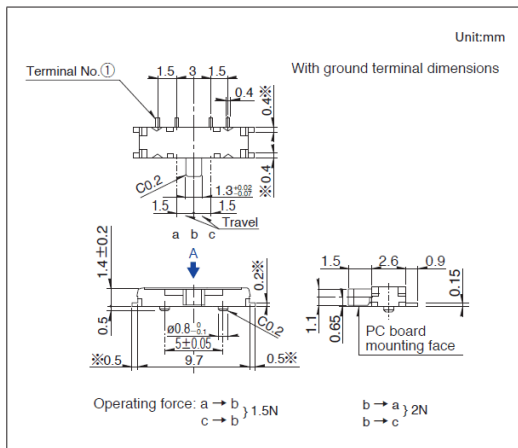
■ Circuit Diagram



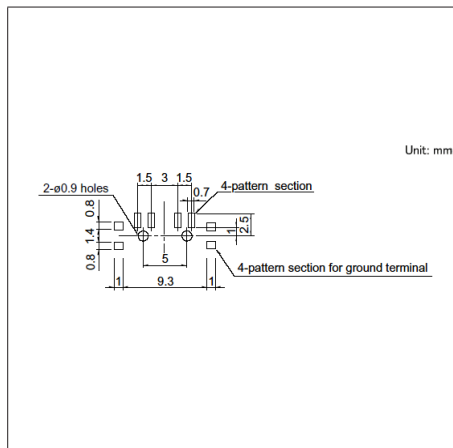
Viewed from direction A in the dimensions.

**Drawing No.8**

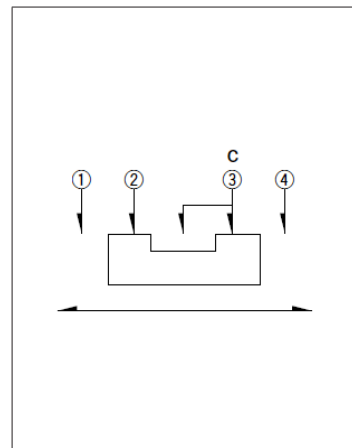
■ Dimensions



■ Land Dimensions



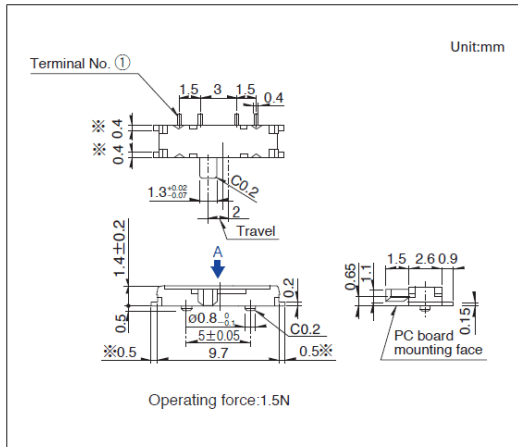
■ Circuit Diagram



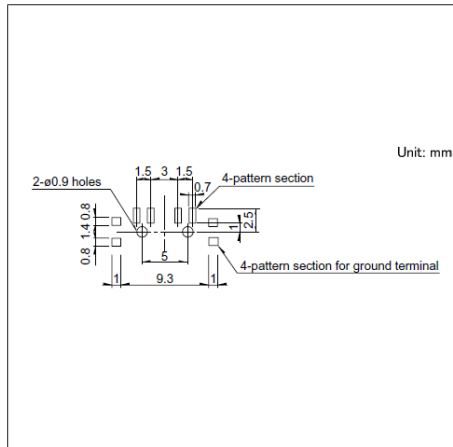
Viewed from direction A in the dimensions.

**Drawing No.9**

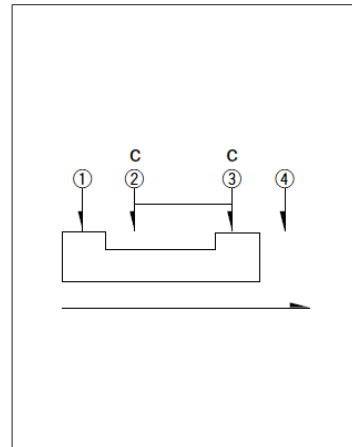
■ Dimensions



■ Land Dimensions



■ Circuit Diagram



Viewed from direction A in the dimensions.