

# MCXN947/946/547/546/537/536/527/526/247

Highly integrated low-power dual-core Arm Cortex M33 MCU with on-chip accelerators

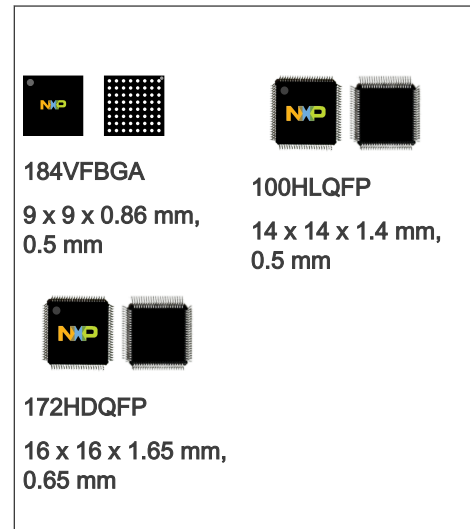
Rev. 8 — 28 October 2025

Product data sheet

Dual Arm® Cortex®-M33 core 32-bit MCU with TrustZone®, up to 2 MB Flash, 512 KB SRAM, eIQ® Neutron NPU, PowerQuad DSP, EdgeLock® Secure Enclave, Core Profile

## Features

- MCX N9xx/5xx: Dual Arm Cortex-M33 150 MHz with 618 CoreMark (4.12 CoreMark/MHz) for each core
- MCX N2xx: Single Arm Cortex-M33 150 MHz with 618 CoreMark (4.12 CoreMark/MHz)
- 4.8 GOPs edge AI/ML acceleration with NPU
- Platform Security with EdgeLock® Secure Enclave, Core Profile.
- -40 °C to +125 °C temperature range
- Down to 57 µA/MHz active current, 6 µA Power down mode with RTC enabled and 512 KB SRAM retention, 2 µA Deep Power-down mode with RTC active and 32 KB SRAM



## Cores

- Primary: Arm® 32-bit Cortex®-M33 CPU with TrustZone®, MPU, FPU, SIMD, ETM and CTI
- Secondary: Arm® 32-bit Cortex®-M33 CPU

## Processing Accelerators

- DSP Accelerator (PowerQUAD, with Co-Processor interface)
- SmartDMA (co-processor for applications such as parallel camera interface and keypad scanning)
- eIQ® Neutron N1-16 Neural Processing Unit
- Power Line Communications (PLC) Controller

## Memories

- Up to 2 MB (2 x 1MB Bank) on chip Flash memory supporting Flash Swap and Read While Write, with ECC (support one bit correction and two bits detection)
- Cache Engine with 16 KB RAM
- Up to 512 KB RAM, configurable as up to 416 KB with ECC (support one bit correction and two bits detection)
- Up to 4x 8 KB ECC RAM can be retained down to VBAT mode
- 256 KB ROM with secure bootloader
- FlexSPI with 16 KB cache supporting XIP, Octal/Quad SPI flash, HyperFlash, HyperRAM, Xccela memory types as external memory expansion with high-performance on-the-fly memory encryption

## Security



- EdgeLock<sup>®</sup> Secure Enclave, Core Profile
  - Cryptographic services (incl. AES-256, SHA-2, ECC NIST P-256, TRNG and key generation/derivation)
  - Secure key store with key usage policies (protection of platform integrity, manufacturing and applications keys)
  - Device Unique Identity based on Physically Unclonable Function (PUF)
  - Device Attestation with support of Device Identifier Composition Engine (DICE)
  - Secure connection and TLS support
  - Key management over-the-air with pre-integration of NXP EdgeLock 2GO
- EdgeLock<sup>®</sup> Accelerator (Public Key Cryptography)
- Immutable secure boot code in ROM
- Dual Secure Boot Mode (asymmetric mode and fast, post-quantum secure symmetric mode)
- Secure firmware update support
- Device lifecycle management including secure authenticated debug
- High-performance on-the-fly memory encryption with additional authentication for internal Flash
- Implicit-protected Flash Region (IFR)
- Security Monitoring
  - 2x Code Watchdog
  - Intrusion and Tamper Response Controller (ITRC)
  - 8 Active and Passive Tamper Pin Detect
  - Voltage, Temperature, Light and Clock Tamper Detect
  - Voltage glitch detect
- Secure manufacturing and IP theft protection in untrusted factory
- Arm<sup>®</sup> TrustZone<sup>®</sup> for Cortex<sup>®</sup>-M

#### Low-Power Performance

- **Active:** Down to 57  $\mu$ A/MHz
- **Deep Sleep:** 170  $\mu$ A, (full 512 KB SRAM retention, 3.3 V @25 C)
- **Power Down:** 5.2  $\mu$ A, (full 512 KB SRAM retention, 3.3 V, @25 C)
- **Deep Power Down:** Down to 2.0  $\mu$ A, 5.3 ms wake-up (RTC enabled 32 KB RAM and Reset pin enabled, @25 C)

#### System and Clocks

- 144 MHz free-running oscillator (FRO-144M)
- 12 MHz free-running oscillator (FRO-12M)
- 16 kHz free-running oscillator (FRO-16k)
- 32 kHz low-power crystal oscillator
- Up to 50 MHz low-power crystal oscillator
- 2 x phase-locked loop
- Hardware and Software Watchdogs
- Two asynchronous DMA modules (16-channels each)

#### Communication interfaces for connectivity

- 10x Low-Power Flexcomms each supports SPI, I2C, UART

- USB High-speed (Host/Device) with on-chip HS PHY
- USB Full-speed (Host/Device) with on-chip FS PHY
- 1x uSDHC
- 2x EMV Smart Card Interfaces
- 2x FlexCAN with FD
- 2x I3C
- 1x Ethernet with QoS (10/100 Mbps)
- Programmable Logic Unit (PLU)

#### Human-Machine Interfaces

- 1x FlexIO programmable as a variety of serial and parallel interfaces, including but not limited to display driver and camera interface
- 2x Serial Audio Interface (SAI)
- Digital PDM Microphone
  - Allows connection of up to 4 MEMS microphones with PDM output
- TSI (Capacitive Touch Sensor Interface)
  - up to 25 self-cap channels, and up to 8 TX x 17 RX mutual-cap channels
  - Water proof under self-cap mode
  - Functions down to Power-Down Mode

#### Advanced Motor Control

- 2x FlexPWM each with 4 sub-modules, providing 12 PWM outputs (with fractional edge placement via dithering) per FlexPWM instance
- 2x Quadrature Decoder (QDC)
- 1x Event Generator (AND/OR/INVERT) module support up to 8 output trigger
- SINC Filter Module (3rd order, 5ch, Break signals connections to PWM)

#### Analog modules

- 2x 16-bit ADC, supporting 4 parallel conversions
  - Each ADC can be used as two single end input ADC, or one differential input ADC
  - Up to 2 Msps in 16-bit mode, and 3.15 Msps in 12-bit mode
  - Up to 75 ADC Input channels (depending on the package)
  - One integrated temperature sensor per ADC.
- Three High-speed Comparators with 17 input pins and 8-bit DAC as internal reference
- 2x CMP is functional down to Deep Power Down mode
- Two 12-bit DAC with sample rates of up to 1.0 MSample/sec.
- One 14-bit DAC with sample rates of up to 5 MSample/sec.
- Three OpAmps can be configured to:
  - Programmable Gain Amplifier
  - Differential Amplifier
  - Instrument Amplifier

— Transconductance Amplifier

- Highly accurate 1.0 V VREF  $\pm 0.2\%$  and 15 ppm/deg C drift

### Timers

- Five 32-bit standard general-purpose asynchronous timers/counters, which support up to four capture inputs and four compare outputs, PWM mode, and external count input. Specific timer events can be selected to generate DMA requests.
- SCTimer/PWM
- Low-Power Timer
- Encoder
- Frequency measurement timer
- Multi-Rate Timer
- Windowed Watchdog Timer
- RTC with calendar
- Wake Timer
- Micro-Tick Timer (UTICK)
- OS Event Timer

### Power Management

- Integrated voltage regulator
  - Buck DC-DC, Core LDO, other LDOs
- Separate Always-On (AON) domain on VDD\_BAT pin
- Operating voltage: 1.71 V to 3.6 V
- IOs: 1.71 V-3.6 V full-performance

### General-purpose input/outputs

- Up to 124 GPIOs
- 1.2 V support at reduced performance (available only on Fast pads).
- Five independent IO power rings
- 100 MHz IO on P2 and P3
- Up to 28-pin wake-up sources function down to deep power-down mode
- Support 1.71 V~3.6 V IO supply range

### Target Applications

- Industrial
- Energy Storage and Management System
- Smart Metering
- Power Line Communication
- Factory Automation
- Industrial HMI
- Mobile Robotics Ecosystem
- Motion Control and Robotics
- Motor Drives

- Brushless DC Motor (BLDC) Control
- Permanent Magnet Synchronous Motor (PMSM)
- Edge AI/ML Anomaly Detection and Predictive Maintenance

**Smart Home**

- Home Control Panel
- Home Security and Surveillance
- Major Home Appliances
- Robotic Appliance
- Smart Speaker
- Soundbar
- Gaming Accessories
- Smart Lighting
- Smart Power Socket and Light Switch
- Edge AI/ML Vision and Voice Detection / Recognition

Table 1. Ordering Information<sup>[1]</sup>

Orderable Part Number <sup>[2]</sup>	Part Marking <sup>[3][4]</sup>	Embedded Memory		Features			Package	
		Flash (MB)	SRAM (K)	Tamper Pins (max)	GPIOs (max)	SRAM PUF	Pin Count	Type
(P)MCCXN947VDFT	(P)MCCXN947VDFT	2	512	8	124	Y	184	VFBGA
(P)MCCXN947VKLT	(P)MCCXN947VKLT	2	512	2	78	Y	100	HLQFP
(P)MCCXN947VPBT	(P)MCCXN947VPBT	2	512	8	114	Y	172	HDQFP
(P)MCCXN946VDFT	(P)MCCXN946VDFT	1	352	8	124	Y	184	VFBGA
(P)MCCXN946VKLT	(P)MCCXN946VKLT	1	352	2	78	Y	100	HLQFP
(P)MCCXN946VPBT	(P)MCCXN946VPBT	1	352	8	114	Y	172	HDQFP
(P)MCCXN547VDFT	(P)MCCXN547VDFT	2	512	8	124	Y	184	VFBGA
(P)MCCXN547VKLT	(P)MCCXN547VKLT	2	512	2	74	Y	100	HLQFP
(P)MCCXN547VPBT	(P)MCCXN547VPBT	2	512	8	114	Y	172	HDQFP
(P)MCCXN546VDFT	(P)MCCXN546VDFT	1	352	8	124	Y	184	VFBGA
(P)MCCXN546VKLT	(P)MCCXN546VKLT	1	352	2	74	Y	100	HLQFP
(P)MCCXN546VPBT	(P)MCCXN546VPBT	1	352	8	114	Y	172	HDQFP
(P)MCCXN537VDFT	(P)MCCXN537VDFT	2	512	8	124	Y	184	VFBGA
(P)MCCXN537VKLT	(P)MCCXN537VKLT	2	512	2	78	Y	100	HLQFP
(P)MCCXN537VPBT	(P)MCCXN537VPBT	2	512	8	114	Y	172	HDQFP
(P)MCCXN536VDFT	(P)MCCXN536VDFT	1	352	8	124	Y	184	VFBGA

Table continues on the next page...

Table 1. Ordering Information<sup>[1]...continued</sup>

Orderable Part Number <sup>[2]</sup>	Part Marking <sup>[3][4]</sup>	Embedded Memory		Features			Package	
		Flash (MB)	SRAM (K)	Tamper Pins (max)	GPIOs (max)	SRAM PUF	Pin Count	Type
(P)MCXN536VKLT	(P)MCXN536VKLT	1	352	2	78	Y	100	HLQFP
(P)MCXN536VPBT	(P)MCXN536VPBT	1	352	8	114	Y	172	HDQFP
(P)MCXN527VDFT	(P)MCXN527VDFT	2	512	8	124	Y	184	VFBGA
(P)MCXN527VKLT	(P)MCXN527VKLT	2	512	2	78	Y	100	HLQFP
(P)MCXN526VDFT	(P)MCXN526VDFT	1	352	8	124	Y	184	VFBGA
(P)MCXN526VKLT	(P)MCXN526VKLT	1	352	2	78	Y	100	HLQFP
(P)MCXN247VDFT	(P)MCXN247VDFT	2	512	8	124	Y	184	VFBGA
(P)MCXN247VKLT	(P)MCXN247VKLT	2	512	2	78	Y	100	HLQFP
(P)MCXN247VPBT	(P)MCXN247VPBT	2	512	8	114	Y	172	HDQFP

[1] Devices with prefix "P" are pre-qualification devices. Fully qualified general market flow devices will not include this "P" prefix.

[2] To confirm current availability of orderable part numbers, go to <http://www.nxp.com> and perform a part number search.

[3] As marked on package

[4] Previous HLQFP parts with suffix VNLT (MCXNxxxVNLT) have been deprecated and are replaced with VKLT suffix (MCXNxxxVKLT).

Table 2. Device Revision Number

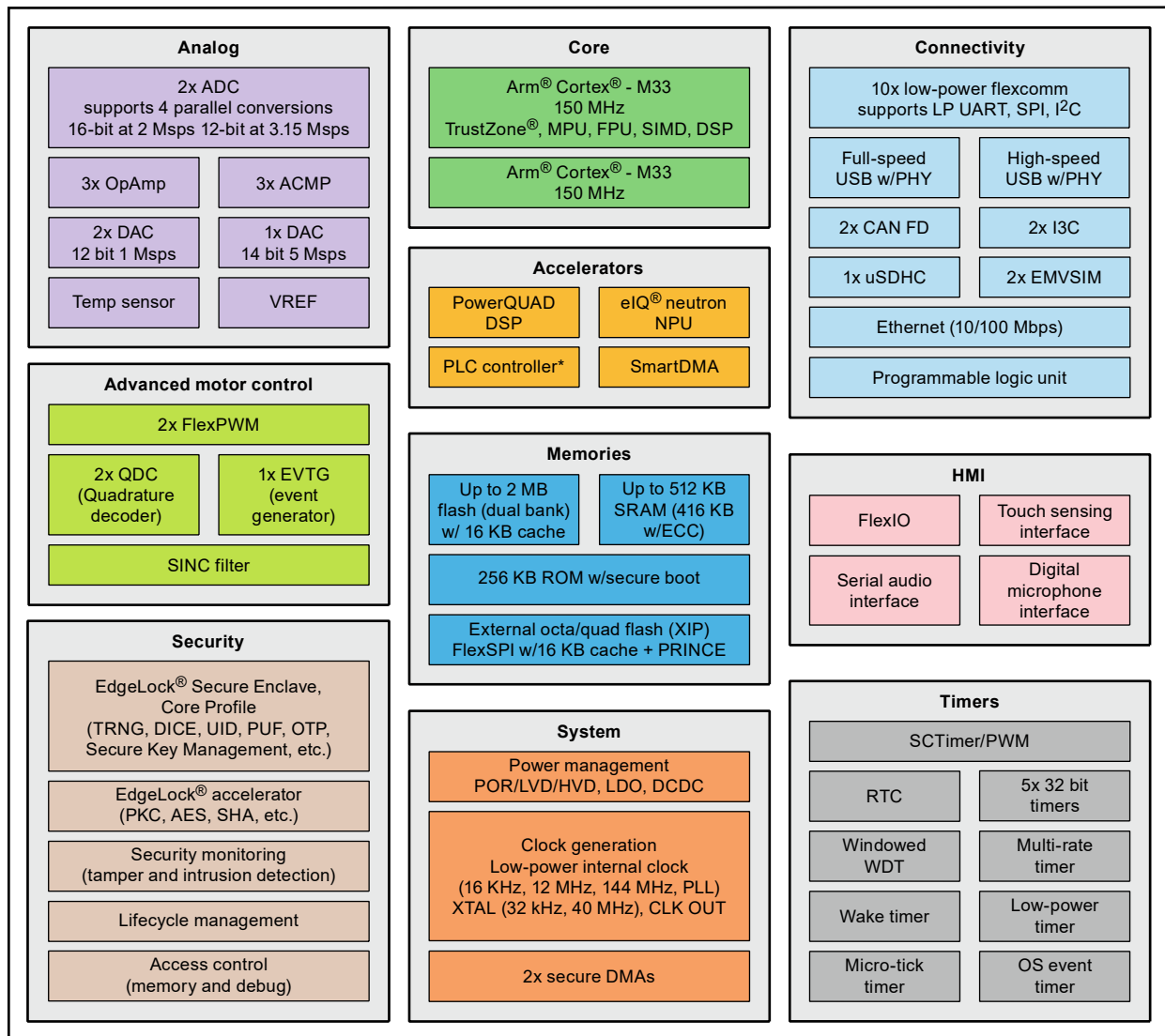
Device Mask Set Number	SYSCON[DIEID] <sup>[1]</sup>	JTAG ID Register[PRN]
P02G	0x0052_09Ax	0x0726_402B

[1] 'x' in the DIED field is dependent on the minor revision of the silicon

Table 3. Related Resources

Type	Description	Resource
Fact Sheet	The Fact Sheet gives overview of the product key features and its uses.	<a href="#">Fact Sheet</a>
Reference Manual	The Reference Manual contains a comprehensive description of the structure and function (operation) of a device.	<a href="#">MCXNP184M150F70RM</a>
Data Sheet	The Data Sheet includes electrical characteristics and signal connections.	This document
Chip Errata	The chip mask set Errata provides additional or corrective information for a particular device mask set.	MCXNx4x_1P02G MCXNx4x_0P02G
Package drawing	Package dimensions are provided in package drawings.	<ul style="list-style-type: none"> <li>HLQFP 100-pin: <a href="#">98ASA02131D</a></li> <li>BGA 184-pin: <a href="#">98ASA01888D</a></li> <li>HDQFP 172-pin: <a href="#">98ASA01107D</a></li> </ul>
Software development kit	MCUXpresso SDK. An open source software development kit (SDK) built specifically for your processor and evaluation board selections.	<a href="http://www.nxp.com/mcuxpresso">http://www.nxp.com/mcuxpresso</a>

**Note:** The EdgeLock Secure Subsystem (ELS) is also known as EdgeLock Secure Enclave, Core Profile (ELE). This document uses the ELS name, but other materials might refer to this module as EdgeLock Secure Enclave, Core Profile or ELE.



aaa-056552

Figure 1. Block diagram

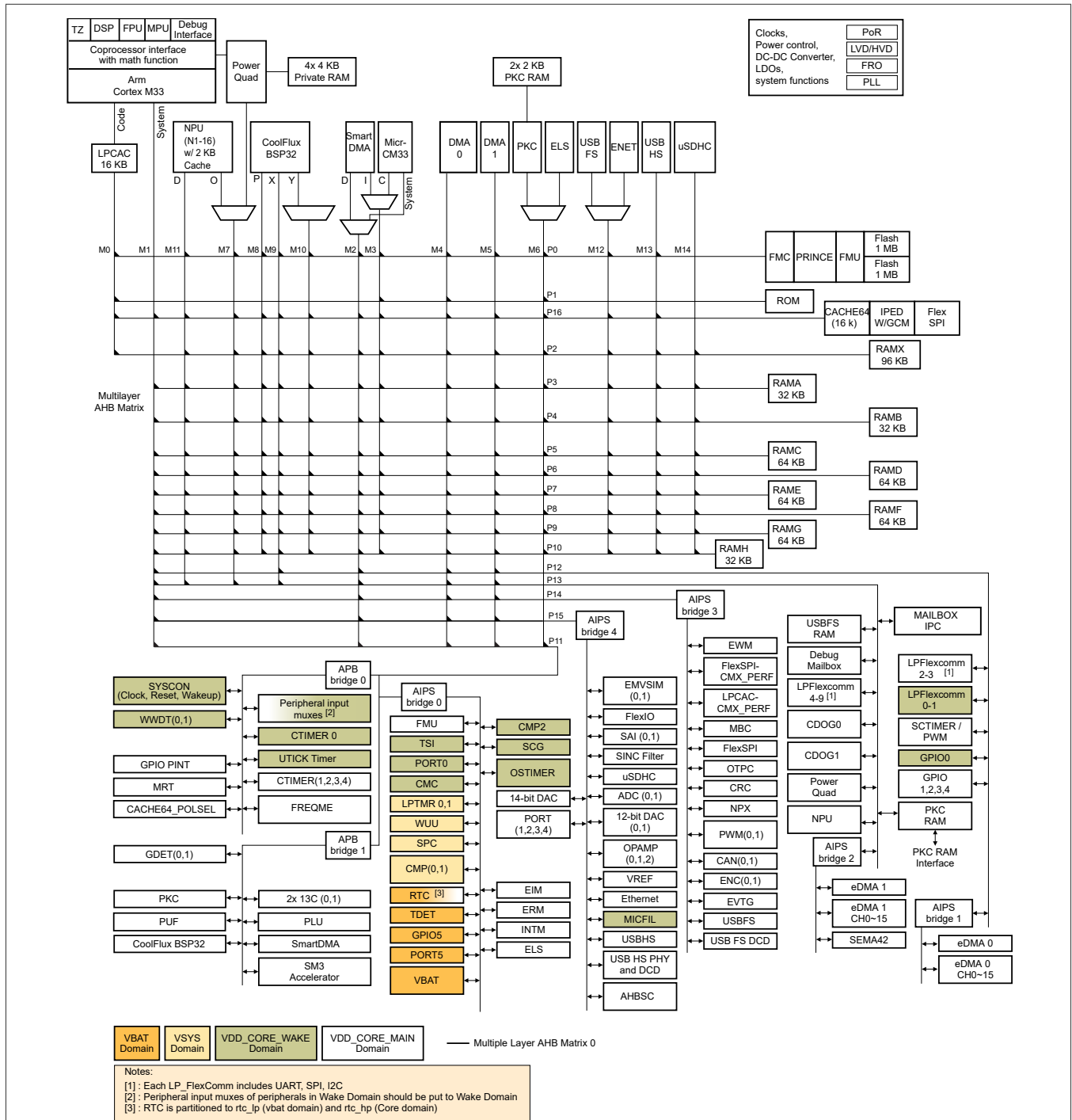


Figure 2. MCX N9xx/N5xx/N24x Architecture

**Note:** Flash, FlexSPI and bus initiators, including, PQ, NPU, BSP32, DMA, USBs, ENET, PKC, ELS have registers. The registers can be accessed from APB or AIPS bridge.

## 1 Feature comparison

---

See the [Table 4](#) on the next page for detailed product feature comparison.

Table 4. Feature Comparison

Features		MCXN947	MCXN946	MCXN546	MCXN547	MCXN537	MCXN536	MCXN527	MCXN526	MCXN247
	Package	VFBGA184, HLQFP100, HDQFP172	VFBGA184, HLQFP100, HDQFP172	VFBGA184, HLQFP100, HDQFP172	VFBGA184, HLQFP100, HDQFP172	VFBGA184, HLQFP100, HDQFP172	VFBGA184, HLQFP100, HDQFP172	VFBGA184, HLQFP100	VFBGA184, HLQFP100	VFBGA184, HLQFP100, HDQFP172
<b>CPU Core Platform</b>	M33 @150 MHz	2	2	2	2	2	2	2	2	1
	NPU	Y	Y	Y	Y	Y	Y	N	N	N
	PowerQuad	Y	Y	Y	Y	Y	Y	Y	Y	N
<b>Flash</b> <sup>[1]</sup>	Flash(with ECC)	Upto 2 MB	Upto 1 MB	Upto 1 MB	Upto 2 MB	Up to 2 MB	Up to 1 MB	Up to 2 MB	Up to 1 MB	Up to 2 MB
<b>Memory</b>	SRAM <sup>[1]</sup>	Upto 480 K no ECC	Upto 320 K no ECC	Upto 320 K no ECC	Upto 480 K no ECC	Up to 480K (No ECC)	Up to 320K (No ECC)	Up to 480K (No ECC)	Up to 320K (No ECC)	Up to 480K (No ECC)
	SRAM ECC	32 K	32 K	32 K	32 K	32 K	32 K	32 K	32 K	32 K
<b>External Memory</b>	FlexSPI with 16 K cache	1x, 2 ch	1x, 2 ch	1x, 2 ch	1x, 2 ch	1x, 2 ch	1x, 2 ch	1x, 2 ch	1x, 2 ch	1x, 2 ch
	uSDHC	Y <sup>[2]</sup>	N	Y	Y	Y	Y	Y	Y	N
<b>Security</b>	Secure Key Management	PUF/UDF	PUF/UDF	PUF/UDF	PUF/UDF	PUF/UDF	PUF/UDF	PUF/UDF	PUF/UDF	PUF/UDF
	Secure Subsystem	Y	Y	Y	Y	Y	Y	Y	Y	Y
	Secure boot	ECDSA-P256 / ECDSA-P384	ECDSA-P256 / ECDSA-P384	ECDSA-P256 / ECDSA-P384	ECDSA-P256 / ECDSA-P384	ECDSA-P256 / ECDSA-P384	ECDSA-P256 / ECDSA-P384	ECDSA-P256 / ECDSA-P384	ECDSA-P256 / ECDSA-P384	ECDSA-P256 / ECDSA-P384
	Secure boot recovery / update	SB3	SB3	SB3	SB3	SB3	SB3	SB3	SB3	SB3
	Anti Tamper Pin <sup>[3]</sup>	8	8	8	8	8	8	8	8	8

Table continues on the next page...

Table 4. Feature Comparison...continued

Features		MCXN947	MCXN946	MCXN546	MCXN547	MCXN537	MCXN536	MCXN527	MCXN526	MCXN247
<b>Analog peripherals</b>	ADC	2	2	2	2	2	2	2	2	2
	DAC 12b, 1 MSPS	2	2	1	1	1	1	2	2	2
	DAC 14b, 5 MSPS	1	1	—	—	—	—	1	1	1
	Comparator	3	3	2	2	3	3	3	3	3
	Opamp	3	3	—	—	3 <sup>[4]</sup>	3 <sup>[4]</sup>	3 <sup>[4]</sup>	3 <sup>[4]</sup>	3 <sup>[4]</sup>
	Accurate Vref	Y	Y	Y	Y	Y	Y	Y	Y	Y
<b>Serial Interfaces</b>	I3C (I2C back compatible)	2	2	2	2	2	2	2	2	2
	USB HS	Y <sup>[2]</sup>	Y <sup>[2]</sup>	Y	Y	Y	Y	Y	Y	Y
	USB FS	Y	Y	Y	Y	N	N	Y	Y	N
	Ethernet	1	1	1	1	—	—	—	—	1
	Power Line Communication	Y	Y	N	N	N	N	Y	Y	N
	CAN w FD	2	2	1	1	2	2	—	—	2
	SAI	Up to 4ch	Up to 4ch	Up to 4ch	Up to 4ch	Up to 4ch	Up to 4ch	—	—	—
	Flexcom	10	10	10	10	10	10	10	10	10
	Smart Card Interface (EMVSIM)	2 <sup>[2]</sup>	—	2	2	—	—	—	—	2
<b>Human Machine Interface</b>	Touch Sensor Interface	25 ch <sup>[2]</sup>	—	25 ch	25 ch	25 ch	25 ch	25 ch	25 ch	—
	Cap touch	Y	Y	Y	Y	Y	Y	Y	Y	Y

Table continues on the next page...

Table 4. Feature Comparison...continued

Features		MCXN947	MCXN946	MCXN546	MCXN547	MCXN537	MCXN536	MCXN527	MCXN526	MCXN247
	FlexIO	1	1	1	1	1	1	1	1	1
DMIC	4 ch <sup>[5]</sup>	—	4 ch	4 ch	4 ch	4 ch	—	—	—	—
Motor Control Subsystem	FlexPWM	2	2	1	1	1	1	—	—	2
	Quad Encoder	2	2	1	1	—	—	—	—	2
	SINC Filter (3rd order, 5ch)	1	1	—	—	—	—	—	—	1
Timers	RTC	1	1	1	1	1	1	1	1	1
	32b	7	7	7	7	7	7	7	7	7
	SCT/PWM	1	1	1	1	1	1	1	1	1
	MRT 24b	1	1	1	1	1	1	1	1	1
	uTICK timer	1	1	1	1	1	1	1	1	1
	WWDT	2	2	2	2	2	2	2	2	2
	OS Timer	1	1	1	1	1	1	1	1	1

[1] For more details, please refer to [Ordering Information Table](#).  
 [2] Not available in 100 pin HLQFP package.  
 [3] Only 2 Anti Tamper Pins available on 100 HLQFP packages.  
 [4] Only one Opamp is available for HLQFP100.  
 [5] Please refer to Ordering Information Table for the exact part number that has 4 ch.

## 2 Ratings

### 2.1 Thermal handling ratings

Table 5. Thermal handling ratings

Symbol	Description	Min.	Max.	Unit	Notes
T <sub>STG</sub>	Storage temperature	-55	150	°C	[1]
T <sub>SDR</sub>	Solder temperature, lead-free	—	260	°C	[2]

[1] Determined according to JEDEC Standard JESD22-A103, *High Temperature Storage Life*.

[2] Determined according to IPC/JEDEC Standard J-STD-020, *Moisture/Reflow Sensitivity Classification for Nonhermetic Solid State Surface Mount Devices*.

### 2.2 Moisture handling ratings

Table 6. Moisture handling ratings

Symbol	Description	Min.	Max.	Unit	Notes
MSL	Moisture sensitivity level	—	3	—	[1]

[1] Determined according to IPC/JEDEC Standard J-STD-020, *Moisture/Reflow Sensitivity Classification for Nonhermetic Solid State Surface Mount Devices*.

### 2.3 ESD handling ratings

Table 7. ESD and Latch-up ratings

Description	Rating	Notes
Electrostatic discharge voltage, human body model	+/-2000 V	[1]
Electrostatic discharge voltage, charged-device model	+/-500 V	[2]
Electrostatic discharge voltage, charged device model (corner pins)	+/-750 V	
Latch-up immunity level (Class II at 125 °C junction temperature)	Immunity Level A	[3]

[1] Determined according to ANSI/ESDA/JEDEC Standard JS-001-2023, For Electrostatic Discharge Sensitivity Testing, Human Body Model (HBM) - Component Level.

[2] Determined according to ANSI/ESDA/JEDEC Standard JS-002-2022, For Electrostatic Discharge Sensitivity Testing, Charged Device Model (CDM) - Device Level

[3] Determined according to JEDEC Standard JESD78, IC Latch-Up Test.

### 2.4 Voltage and current maximum ratings

The table below shows the absolute minimum and maximum ratings for the device. If the values are violated, the device could be damaged. See [Voltage and current operating requirements](#) for operating requirements, and [Terminology and guidelines](#) for definitions of terms.

Table 8. Voltage and current maximum ratings

Symbol	Description	Min.	Max.	Unit
VDD_CORE	Supply voltage for most digital domains	-0.3	1.26	V

Table continues on the next page...

Table 8. Voltage and current maximum ratings...continued

Symbol	Description	Min.	Max.	Unit
VDD_SYS	Supply voltage for on-board regulators, LVD / HVDs, and clock sources	-0.3	1.98 [1]	V
VDD_DCDC	Supply voltage for DCDC regulator	-0.3	3.63	V
VDD_LDO_SYS	Supply voltage for LDO_SYS regulator	-0.3	3.63	V
VDD_LDO_CORE	Supply voltage for LDO_CORE regulator	-0.3	3.63	V
VDD	Supply voltage for Port 0, Port 1, Flash arrays	-0.3	3.63	V
VDD_P2	Supply voltage for Port 2	-0.3	3.63	V
VDD_P3	Supply voltage for Port 3	-0.3	3.63	V
VDD_P4	Supply voltage for Port 4	-0.3	3.63	V
VDD_BAT	Supply voltage for VBAT domain and Port 5	-0.3	3.63	V
VDD_ANA	Supply voltage for analog modules	-0.3	3.63	V
VDD_USB	Supply voltage for USB analog	-0.3	3.63	V
V <sub>USB1_VBUS</sub>	USB1_VBUS input voltage	-0.3	5.5	V
V <sub>USB0_Dx</sub>	USB0_DP and USB0_DM input voltage	-0.3	3.63	V
V <sub>USB1_Dx</sub>	USB1_DP and USB1_DM input voltage	-0.3	3.63	V
V <sub>DIO</sub>	Digital input voltage	-0.3	VDD_Px + 0.3	V
V <sub>AIO</sub>	Analog input voltage <sup>[2]</sup>	-0.3	VDD_ANA + 0.3	V
I <sub>DD</sub>	Digital supply current	—	100 <sup>[3]</sup>	mA
I <sub>D</sub>	Maximum current single pin limit (digital output pins)	-25	25	mA
V <sub>REFH</sub>	ADC reference voltage high	VSS_P4 -0.1	VDD_ANA + 0.1	V
V <sub>REFL</sub>	ADC reference voltage low	VSS_P4 -0.1	VSS_P4 + 0.1	V

[1] The part will support 2.75 V for up to 20 s over lifetime to allow for fuse programming

[2] Analog pins are defined as pins that do not have an associated general-purpose I/O port function.

[3] This limit is per supply pin. This includes all power pins, including, VDD\_CORE, VDD\_SYS, VDD\_LDO\_SYS, VDD\_LDO\_CORE, VDD, VDD\_Px, VDD\_ANA, VDD\_USB, and VDD\_BAT

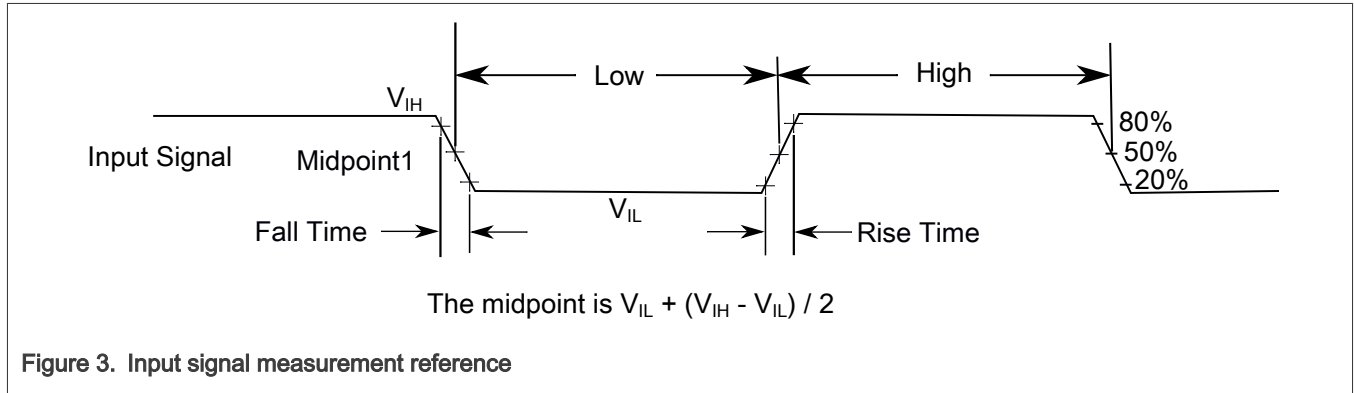
## 2.5 Required Power-On-Reset (POR) Sequencing

- Secondary IO supplies (VDD\_P2/VDD\_P3/VDD\_P4) must implement one of the following:
  - Must be shorted with VDD (eg: single supply system), or
  - Must ramp after VDD\_SYS
- VDD\_CORE must ramp after VDD
- VDD\_P4 and VDD\_ANA must be same voltage
- VDD\_BAT must ramp before or with VDD\_SYS

### 3 General

#### 3.1 AC electrical characteristics

Unless otherwise specified, propagation delays are measured from the 50% to the 50% point, and rise and fall times are measured at the 20% and 80% points, as shown in the following figure.



#### 3.2 Nonswitching electrical specifications

##### 3.2.1 Voltage and current operating requirements

Table 9. Voltage and current operating requirements

Symbol	Description	Min.	Typ	Max.	Unit	Notes
VDD_SYS	Supply voltage for on-board regulators, LVD / HVDs, and clock sources <ul style="list-style-type: none"> <li>• Normal mode</li> <li>• Fuse Programming</li> </ul>	1.71 2.25		1.98 2.75	V	
VDD_DCDC	Supply voltage DCDC regulator	1.71		3.6	V	[1]
VDD_LDO_SYS	Supply voltage for LDO_SYS regulator	1.86		3.6	V	
VDD_LDO_CORE	Supply voltage for LDO_CORE regulator	1.71		3.6	V	
VDD	Supply Voltage for Port 0, Port 1, Flash, and CMPx	1.71		3.6	V	
VDD_P2	Supply voltage for Port 2	1.14 1.71		1.32 3.6	V	[2],[3]
VDD_P3	Supply voltage for Port 3	1.14 1.71		1.32 3.6	V	[2],[4],[3]
VDD_P4	Supply voltage for Port 4	1.71		3.6	V	[5],[3]
VDD_BAT	Supply voltage for VBAT domain	1.71		3.6	V	

Table continues on the next page...

Table 9. Voltage and current operating requirements...continued

Symbol	Description	Min.	Typ	Max.	Unit	Notes
VDD_ANA	Supply voltage for analog modules	VDD_P4		VDD_P4	V	[6]
VSS - VSS_ANA	VSS-to-VSS_ANA differential voltage	-0.1		0.1	V	
VDD_USB	Supply voltage for USB analog	3.0		3.6	V	[7]
V <sub>IH</sub>	Input high voltage <ul style="list-style-type: none"> <li>1.71 V ≤ VDD_Px ≤ 3.6 V</li> <li>1.14 V ≤ VDD_Px ≤ 1.32 V</li> </ul>	0.7 × VDD_Px 0.7 × VDD_Px		— —	V	[2]
V <sub>IL</sub>	Input low voltage <ul style="list-style-type: none"> <li>1.71 V ≤ VDD_Px ≤ 3.6 V</li> <li>1.14 V ≤ VDD_Px ≤ 1.32 V</li> </ul>	— —		0.3 × VDD_Px 0.3 × VDD_Px	V	[2]
V <sub>HYS</sub>	Input hysteresis <ul style="list-style-type: none"> <li>Slow I/O</li> <li>Medium I/O</li> <li>Fast I/O</li> </ul>	0.1 × VDD_Px 0.1 × VDD_Px 0.04 × VDD_Px		—	V	
I <sub>ICIO</sub>	IO pin DC injection current — per pin <ul style="list-style-type: none"> <li>V<sub>IN</sub> &lt; VSS-0.3 V (negative current injection)</li> <li>V<sub>IN</sub> &gt; VDD+0.3 V (positive current injection)</li> </ul>	-3 —		— +3	mA	[8]
I <sub>ICont</sub>	Contiguous pin DC injection current — regional limit, includes sum of negative injection currents of 16 contiguous pins <ul style="list-style-type: none"> <li>Negative current injection</li> <li>Positive current injection</li> </ul>	-25 —		— +25	mA	
V <sub>ODPU</sub>	Open drain pullup voltage level	VDD_Px		VDD_Px	V	[9]

- [1] For packages that include a dedicated VDD\_DCDC pin (184 VFBGA and 172 HDQFP), if the DCDC converter is not being used, the input supply should be connected to GND via a 10 kΩ resistor.  
For packages that do not have a dedicated VDD\_DCDC pin (100 HLQFP), even if the DCDC converter is unused, the VDD\_DCDC pin must still be powered, and the DCDC\_LX pin should remain unconnected (floating).
- [2] Operation at 1.2 V is allowed on Port P2/P3 pins only with the following restrictions:
  - VDD\_CORE must be less than or equal to the VDD\_Px voltage
  - VDD\_SYS must be powered on before VDD\_Px is powered and VDD\_SYS must not be powered off before powering off VDD\_Px.
- [3] If this voltage rail is not tied to VDD, it must ramp after VDD\_SYS
- [4] If none of the Port 3 pins are being used, then the VDD\_P3 can be left floating.
- [5] VDD\_P4 should be powered up with VDD\_ANA and to the same voltage level as VDD\_ANA
- [6] VDD\_ANA may deviate from VDD\_P4 by ± 0.1 V provided it is still within range of 1.71 V - 3.6 V
- [7] USB HS is not supported when VDD\_CORE < 1.1 V
- [8] All I/O pins are internally clamped to VSS and VDD\_Px through an ESD protection diode. If VIN is greater than VDD\_Px\_MIN(=VSS-0.3 V) or is less than VDD\_Px\_MAX(=VDD\_Px + 0.3 V), then there is no need to provide current limiting resistors at the pads. If this limit cannot be observed, then a current limiting resistor is required. The negative DC injection current limiting resistor is calculated as R = (-0.3 - VIN)/(-I<sub>ICIOmin</sub>). The positive injection current limiting resistor is calculated as R=(VIN-VDD\_Px\_MAX)/I<sub>ICIOmax</sub>. The actual resistor should be an order of magnitude higher to tolerate transient voltages.
- [9] Open drain outputs must be pulled to whichever supply voltage corresponds to that IO, VDD\_Px as appropriate.

### 3.2.2 HVD, LVD, and POR operating requirements

The device includes low-voltage detection (LVD) and high-voltage detection (HVD) power supervisor circuits for following power supplies:

- VDD
- VDD\_CORE
- VDD\_SYS

For VDD\_SYS, it has Power-on-reset (POR) power supervisor circuits.

**Table 10. VDD supply HVD, LVD, and POR Operating Requirements**

Symbol	Description	Min.	Typ.	Max.	Unit	Notes
V <sub>HVDH_VDD</sub>	VDD Rising high-voltage detect threshold (HVD assertion)	3.730	3.810	3.890	V	
V <sub>HVDH_HYS_VDD</sub>	VDD High-voltage inhibit reset/recover hysteresis	—	38	—	mV	
V <sub>LVDH_VDD</sub>	VDD Falling low-voltage detect threshold (LVD assertion) - high range (VD_IO_CFG[LVSEL] = 0b)	2.567	2.619	2.673	V	
V <sub>LVDH_HYS_VDD</sub>	VDD Low-voltage inhibit reset/recover hysteresis - high range	—	27	—	mV	
V <sub>LVDL_VDD</sub>	VDD Falling low-voltage detect threshold (LVD assertion) - low range (VD_IO_CFG[LVSEL] = 1b)	1.618	1.651	1.684	V	
V <sub>LVDV_HYS_VDD</sub>	VDD Low-voltage inhibit reset/recover hysteresis - low range	—	16	—	mV	

**Table 11. VDD\_CORE supply HVD and LVD Operating Requirements**

Symbol	Description	Min.	Typ.	Max.	Unit	Notes
V <sub>HVD_CORE</sub>	VDD_CORE Rising high-voltage detect threshold (HVD assertion) Target VDD_CORE = 1.0 V Target VDD_CORE = 1.1 V Target VDD_CORE = 1.2 V	1.260	1.285	1.311	V	[1]
V <sub>HVD_HYS_CORE</sub>	VDD_CORE High-voltage inhibit reset/recover hysteresis Target VDD_CORE = 1.0 V Target VDD_CORE = 1.1 V Target VDD_CORE = 1.2 V	—	13	—	mV	[1]
V <sub>LVD_CORE</sub>	VDD_CORE Falling low-voltage detect threshold (LVD assertion) Target VDD_CORE = 1.0 V	0.899	0.917	0.936	V	

*Table continues on the next page...*

Table 11. VDD\_CORE supply HVD and LVD Operating Requirements...continued

Symbol	Description	Min.	Typ.	Max.	Unit	Notes
	Target VDD_CORE = 1.1 V	0.989	1.009	1.029		
	Target VDD_CORE = 1.2 V	1.078	1.1	1.123		
V <sub>LVD_HYS_CORE</sub>	VDD_CORE Low-voltage inhibit reset/recover hysteresis				mV	
	Target VDD_CORE = 1.0 V	—	9	—		
	Target VDD_CORE = 1.1 V	—	10	—		
	Target VDD_CORE = 1.2 V	—	11	—		

[1] Same value applies to all conditions.

Table 12. VDD\_SYS supply HVD and LVD Operating Requirements

Symbol	Description	Min.	Typ.	Max.	Unit	Notes
V <sub>HVD_SYS</sub>	VDD_SYS Rising high-voltage detect threshold (HVD assertion) Target VDD_SYS = 1.8 V	2.035	2.077	2.120	V	[1]
V <sub>HVD_HYS_SYS</sub>	VDD_SYS High-voltage inhibit reset/recover hysteresis	—	20	—	mV	
V <sub>POR_SYS</sub>	Falling VDD_SYS POR detect voltage (POR assertion)	0.8	1.0	1.5	V	
V <sub>LVD_SYS</sub>	VDD_SYS Falling low-voltage detect threshold (LVD assertion) Target VDD_SYS = 1.8 V	1.616	1.649	1.683	V	
V <sub>LVD_HYS_SYS</sub>	VDD_SYS Low-voltage inhibit reset/recover hysteresis	—	17	—	mV	

[1] When fuses are being programmed VDD\_SYS is raised to 2.5V nominal. This is outside the HVD bounds, so HVD detection for VDD\_SYS must be disabled when programming fuses

Table 13. VBAT supply POR Operating Requirements

Symbol	Description	Min.	Typ.	Max.	Unit	Notes
VBAT_POR_SYS	Falling VBAT POR detect voltage (POR assertion)	0.689	—	1.36	V	[1]

[1] Guaranteed by design. Not tested in production.

### 3.2.3 Voltage and current operating behaviors

Table 14. Voltage and current operating behaviors

Symbol	Description	Min.	Typ.	Max.	Unit	Notes
V <sub>OH</sub>	Output high voltage — Normal drive strength	VDD_Px – 0.5	—	—	V	[1]

Table continues on the next page...

Table 14. Voltage and current operating behaviors...continued

Symbol	Description	Min.	Typ.	Max.	Unit	Notes
	<ul style="list-style-type: none"> <li>• 2.7 V ≤ VDD_Px ≤ 3.6 V, I<sub>OH</sub> = 4 mA</li> <li>• 1.71 V ≤ VDD_Px &lt; 2.7 V, I<sub>OH</sub> = 2.5 mA</li> <li>• 1.14 V ≤ VDD_Px &lt; 1.32 V, I<sub>OH</sub> = 0.5 mA</li> </ul>	VDD_Px - 0.5	—	—	V	
		VDD_Px - 0.5	—	—	V	
V <sub>OH</sub>	Output high voltage — High drive strength <ul style="list-style-type: none"> <li>• 2.7 V ≤ VDD_Px ≤ 3.6 V, I<sub>OH</sub> = 6 mA</li> <li>• 1.71 V ≤ VDD_Px &lt; 2.7 V, I<sub>OH</sub> = 3.75 mA</li> <li>• 1.14 V ≤ VDD_Px &lt; 1.32 V, I<sub>OH</sub> = 0.75 mA</li> </ul>	VDD_Px - 0.5	—	—	V	[2],[1]
		VDD_Px - 0.5	—	—	V	
		VDD_Px - 0.5	—	—	V	
I <sub>OHT</sub>	Output high current total for all ports	—	—	100	mA	
V <sub>OL</sub>	Output low voltage — Normal drive strength <ul style="list-style-type: none"> <li>• 2.7 V ≤ VDD_Px ≤ 3.6 V, I<sub>OL</sub> = 4 mA</li> <li>• 1.71 V ≤ VDD_Px &lt; 2.7 V, I<sub>OL</sub> = 2.5 mA</li> <li>• 1.14 V ≤ VDD_Px &lt; 1.32 V, I<sub>OH</sub> = 0.5 mA</li> </ul>	—	—	0.5	V	[3],[1]
		—	—	0.5	V	
		—	—	0.5	V	
V <sub>OL</sub>	Output low voltage — High drive strength <ul style="list-style-type: none"> <li>• 2.7 V ≤ VDD_Px ≤ 3.6 V, I<sub>OL</sub> = 6 mA</li> <li>• 1.71 V ≤ VDD_Px &lt; 2.7 V, I<sub>OL</sub> = 3.75 mA</li> <li>• 1.14 V ≤ VDD_Px &lt; 1.32 V, I<sub>OH</sub> = 0.75 mA</li> </ul>	—	—	0.5	V	[1],[3]
		—	—	0.5	V	
		—	—	0.5	V	
I <sub>OLT</sub>	Output low current total for all ports	—	—	100	mA	
I <sub>IN</sub>	Input leakage current (per pin) for full temperature range	—	—	1	μA	[4]
I <sub>IN</sub>	Input leakage current (per pin) at 25 °C	—	—	0.025	μA	[4]
I <sub>OZ</sub>	Hi-Z (off-state) leakage current (per pin)	—	—	1	μA	
R <sub>PU</sub>	Internal pullup resistors	33	50	75	kΩ	
R <sub>PU</sub> (I3C)	Internal pullup resistors	1.11	1.2	2.83	kΩ	[5]
R <sub>PD</sub>	Internal pulldown resistors	33	50	75	kΩ	
R <sub>HPU</sub>	High-resistance pullup option (PCR <sub>x</sub> [PV] = 1)	0.67	1.0	1.5	MΩ	[6]
R <sub>HPD</sub>	High-resistance pulldown option (PCR <sub>x</sub> [PV] = 1)	0.67	1.0	1.5	MΩ	[6]
V <sub>BG</sub>	Bandgap voltage reference voltage	0.98	1.0	1.02	V	

[1] The 1.14 V – 1.32 V range only applies to port P2 / P3 pins.

[2] AON and RESET\_B pins are always configured in high drive mode

[3] Open drain outputs must be pulled to VDD\_Px.

[4] Measured at VDD\_Px = 3.6 V.

[5] Only pins with +I3C add-on support this option

[6] Only AON pins and RESET\_B pin support this option.

### 3.2.4 On-chip regulator electrical specifications

#### 3.2.4.1 DCDC converter specifications

Table 15. DCDC Converter Specifications

Symbol	Description	Min.	Typ.	Max.	Unit	Notes
V <sub>DD_DCDC</sub>	DCDC input voltage	1.71	—	3.6	V	[1]
V <sub>DCDC_LX</sub>	DCDC output voltage 1.2 V range	0.85	—	1.21	V	[1], [2]
I <sub>LOAD</sub>	DCDC load current <ul style="list-style-type: none"> <li>• Normal drive strength</li> <li>• FREQ_CNTRL_ON=1</li> <li>• Low drive strength</li> </ul>	—	—	105 45 15	mA mA mA	[3]
LX	DCDC inductor value	0.47	1	2.2	μH	[4]
ESR	External inductor equivalent series resistance	—	110	—	mΩ	[5]
C <sub>OUT</sub>	DCDC capacitance value	6	22	30	μF	[6]
V <sub>RIPPLE</sub>	DCDC voltage ripple <ul style="list-style-type: none"> <li>• In normal drive strength</li> <li>• In low drive strength</li> </ul>	—	1 25	—	% mV	
T <sub>startup</sub>	DCDC startup time	—	100	—	μs	
f <sub>burst</sub>	DCDC switching frequency	3	5	8	MHz	[7]
f <sub>burst_acc</sub>	DCDC burst frequency accuracy	—	10	—	%	[8]

- [1] The VDD\_DCDC input supply to the system DCDC must be at least 500 mV higher than the desired output at DCDC\_LX to achieve the stated efficiency. VDD\_DCDC can be as low as 300 mV above the desired output voltage but the efficiency will be reduced.
- [2] The system DCDC converter generates 1.2 V at DCDC\_LX by default. The DCDC is used to power VDD\_CORE.
- [3] The maximum load current during boot up shall not exceed 60 mA.
- [4] Recommended inductor value is 1 μH to 1.5 μH. If the inductor is < 1 μH, the DCDC efficiency is not guaranteed.
- [5] The maximum recommended ESR is 250 mΩ (not a hard limit).
- [6] The variation in capacitance of the capacitor at DCDC\_LX due to aging, temperature, and voltage degradation must not exceed the Min./Max. values.
- [7] FREQ\_CNTRL\_ON = 1. This range is for 1 μH inductor.
- [8] FREQ\_CNTRL\_ON = 1.

3.2.4.2 DCDC efficiency plots

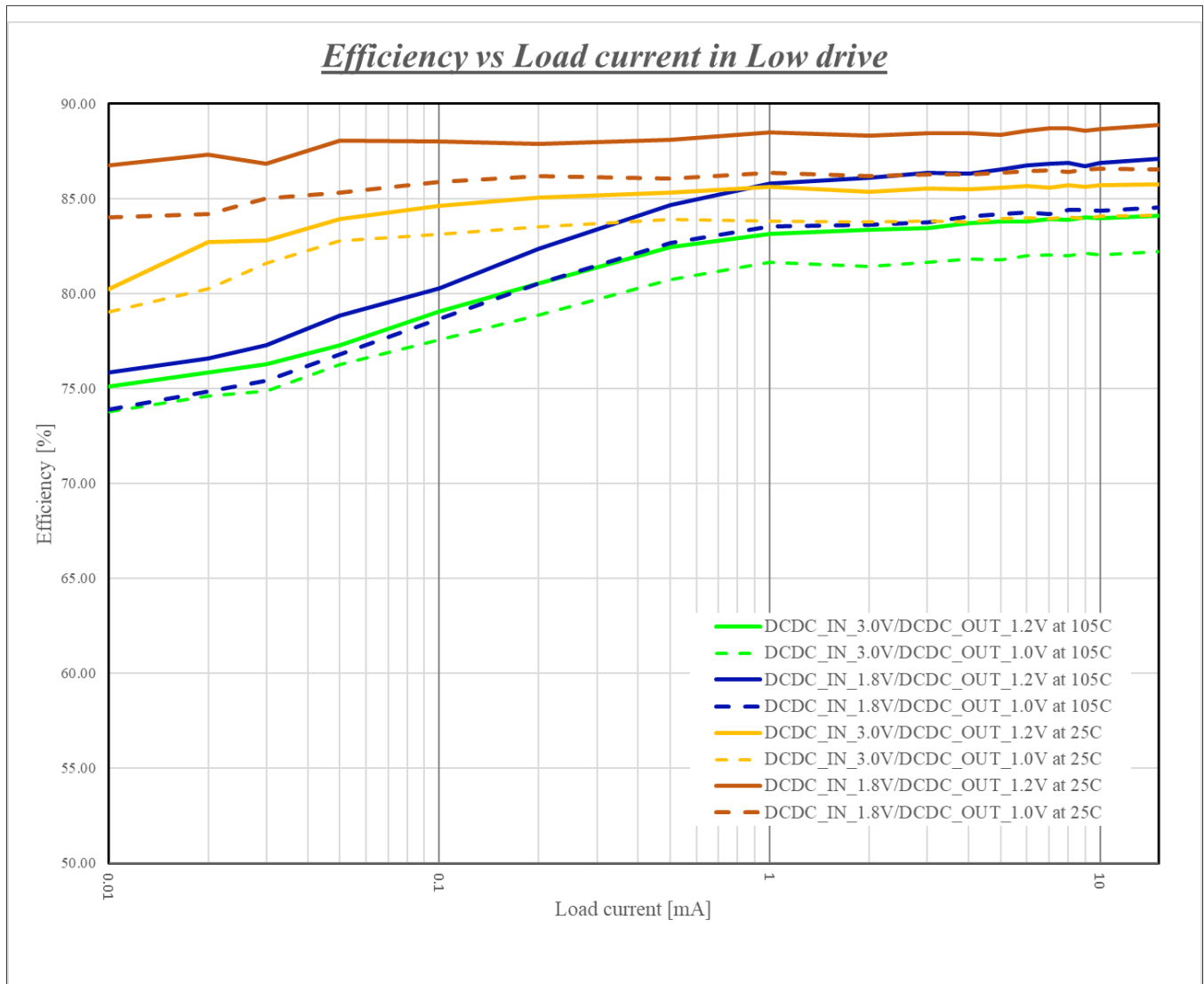


Figure 4. Low drive strength

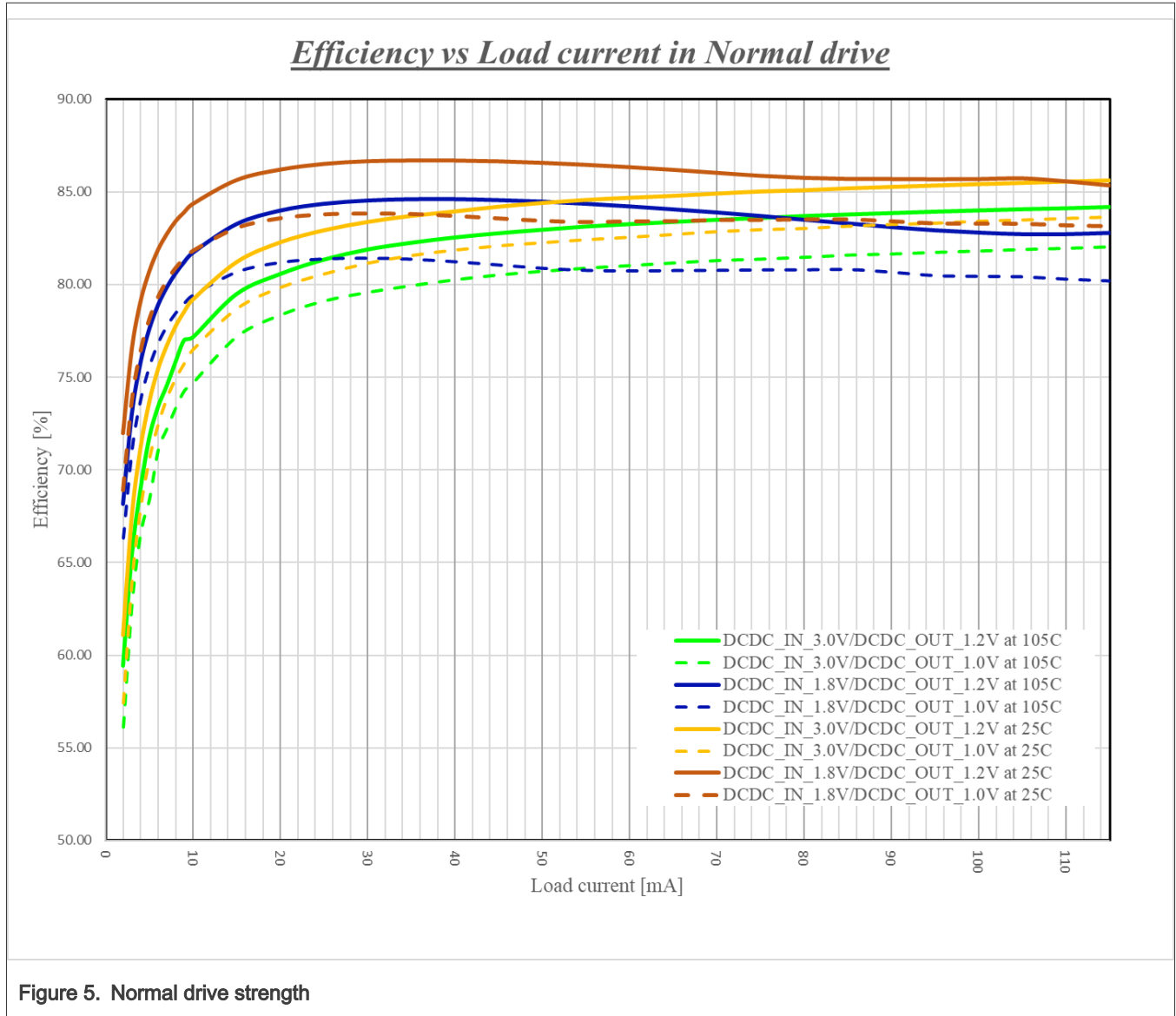


Figure 5. Normal drive strength

3.2.4.3 LDO\_SYS electrical specifications

Table 16. LDO\_SYS electrical specifications

Symbol	Description	Min.	Typ.	Max.	Unit	Notes
VDD_LDO_SYS	LDO_SYS input supply voltage	1.95	—	3.6	V	[1],[2]
	• Normal Drive mode	1.86		1.98		
	• Passthrough mode	2.75		3.6		
VOUT_SYS	LDO_SYS regulator output voltage	1.71	1.8	1.98	V	[3],[4],[2]
	Normal drive strength mode	2.25	2.5	2.75		
	Fuse programming mode					

Table continues on the next page...

Table 16. LDO\_SYS electrical specifications...continued

Symbol	Description	Min.	Typ.	Max.	Unit	Notes
LDO_SYS_DROPOUT T	LDO_SYS dropout voltage				mV	[1], [2]
	• Normal drive strength mode	—	—	150		
	• Fuse programming mode [5]	—	—	500		
	• Pass through mode [6]	—	—	60		
I <sub>LOAD</sub>	LDO_SYS maximum load current					
	• Normal drive strength mode	—	—	50		
	• Low drive strength mode	—	—	2		
	• Fuse programming mode	—	—	40	mA	
I <sub>DD</sub>	LDO_SYS power consumption					[7]
	• Normal drive strength mode	—	100	—	μA	
	• Low drive strength mode	—	70	—	nA	
C <sub>OUT</sub>	External output capacitor	1.4	2.2	4.0	μF	
ESR	External output capacitor equivalent series resistance	—	30	—	mΩ	
I <sub>INRUSH</sub>	LDO_SYS inrush current	—	—	100 <sup>[8]</sup>	mA	

[1] Regulator will automatically switch to passthrough mode with the supply is below 1.95 V.  
 [2] VDD\_LDO\_SYS must be at least 150 mV higher than the desired VOUT\_SYS.  
 [3] The LDO\_SYS converter generates 1.8 V by default at VOUT\_SYS. VOUT\_SYS can be used to power VDD\_SYS, VDD\_Px, VDD\_ANA, and external components as long as the max I<sub>LOAD</sub> is not exceeded.  
 [4] VOUT\_SYS and VDD\_SYS are connected together within the package  
 [5] Maximum current load in fuse programming mode is 40 mA  
 [6] Maximum current load during pass through mode = 50 mA  
 [7] In normal mode, LDO\_SYS draws ~100 μA for every 20 mA of load current.  
 [8] This value is for a 1.5 μF external output capacitor. This value would increase with higher load capacitor.

3.2.4.4 LDO\_CORE electrical specifications

Table 17. LDO\_CORE electrical specifications

Symbol	Description	Min.	Typ.	Max.	Unit	Notes
VDD_LDO_CORE	LDO_CORE input supply voltage	1.71	—	3.6	V	[1]
VOUT_CORE	LDO_CORE regulator output voltage				V	[2]
	• Normal drive strength					
	— Mid drive	0.95	1	1.05		
	— Normal drive	1.045	1.1	1.155		
	— Over drive	1.14	1.2	1.26		
	• Low drive strength					
— Mid drive						
— Normal drive	0.95	1	1.05			

Table continues on the next page...

Table 17. LDO\_CORE electrical specifications...continued

Symbol	Description	Min.	Typ.	Max.	Unit	Notes
		1.045	1.1	1.155		
$I_{LOAD}$	LDO_CORE max load current <ul style="list-style-type: none"> <li>• Normal drive strength                             <ul style="list-style-type: none"> <li>— <math>T_j = -40\text{ }^\circ\text{C}</math> — — 90</li> <li>— <math>T_j = 27\text{ }^\circ\text{C}</math> — — 100</li> <li>— <math>T_j = 113\text{ }^\circ\text{C}</math> — — 115</li> </ul> </li> <li>• Low drive strength                             <ul style="list-style-type: none"> <li>— <math>-40\text{ }^\circ\text{C} &lt; T_j &lt; 113\text{ }^\circ\text{C}</math> — — 28</li> </ul> </li> </ul>				mA	
$I_{INRUSH}$	LDO_CORE inrush current	—	—	500	mA	[3]

[1] To bypass LDO\_CORE, tie VDD\_LDO\_CORE to VDD\_CORE  
 [2] VOUT\_CORE and VDD\_CORE are connected together in package  
 [3] This value is for 4.7  $\mu\text{F}$  external output capacitor. This value would increase with higher load capacitor

Table 18. LDO\_CORE external device electrical specifications

Symbol	Description	Min.	Typ.	Max.	Unit	Notes
$C_{OUT}$	External output capacitor	3.7	4.7	10	$\mu\text{F}$	
$C_{DEC}$	External output decoupling capacitor	—	0.1	—	$\mu\text{F}$	
ESR	External output capacitor equivalent series resistance	—	10	—	m $\Omega$	

### 3.2.5 Power mode transition operating behaviors

All specifications in the following table assume this clock configuration:

- CPU clock = 48 MHz
- AHB clock = 48 MHz
- Clock source = Fast internal reference clock(FIRC)

All specifications in the following table were measured from the initiation of an external pin event to the execution code (unless otherwise stated)

All specifications in the following table assume this SPC configuration:

- SPC->LPWKUP\_DELAY[LPWKUP\_DELAY] = 0x00 and the Core voltage level is configured for the same level in active and low power mode (SPC->ACTIVE\_CFG[DCDC\_VDD\_LVL] = SPC->ACTIVE\_CFG[CORELDO\_VDD\_LVL] = SPC->LP\_CFG[DCDC\_VDD\_LVL] = SPC->LP\_CFG[CORELDO\_VDD\_LVL]).

Table 19. Power mode transition operating behaviors

Symbol	Description	Min.	Typ.	Max.	Unit	Notes
$t_{POR}$	After a POR event, amount of time to execution of the first instruction (measured from the point where VDD and VDD_SYS reach 1.8V) across the operating temperature range of the chip.	—	6.5	—	ms	[1], [2], [3]

Table continues on the next page...

Table 19. Power mode transition operating behaviors...continued

Symbol	Description	Min.	Typ.	Max.	Unit	Notes
t <sub>SLEEP</sub>	SLEEP → ACTIVE	—	0.22	—	μs	[3], [4]
t <sub>DSLEEP</sub>	DEEP SLEEP → ACTIVE	—	8.7	—	μs	[3], [4]
t <sub>PWDN</sub>	POWER DOWN → ACTIVE	—	9.8	—	μs	[3], [4]
t <sub>DPWDN</sub>	Deep Power DOWN → ACTIVE	—	5.3	—	ms	[1], [4], [2], [3]

[1] Boot configuration 144 MHz  
 [2] Measured using ROM version v4.0  
 [3] Based on characterization of typical units. Not tested in production  
 [4] WFE used for low-power mode entry

### 3.2.6 Power consumption operating behaviors

The MCCX N9xx/N5xx/N24x devices have multiple power supplies that can be connected in different configurations, where the total current consumption of the device is the accumulative result of each individual power supply’s current consumption. The Core domain is provided by the noted source (either DCDC or LDO), the voltage for the System domain is provided by the LDO-SYS (except for LDO @ 1.8V), voltage for the I/O rails is provided by the same external source powering the Core domain regulator and System domain regulator, and the VBAT domain is also provided by the same external source.

When calculating the total MCU current consumption the following considerations should be made:

- Specifications below only include power for the MCU itself
- VDD\_USB current draw are not included
- On top of the device’s IDD current consumption, external loads applied to pins of the device need to be considered
- Efficiency of regulators (on-chip or off-chip) used to generate supply voltages should be considered

#### 3.2.6.1 Power Consumption Operating Behaviors

##### Appendix A: Active IDD

Table 20. DCDC @ 3.3 V

Single Core, Flash, LPCAC cases						
Symbol	Description	Temperature, Tj (°C)	Typ [1]	Max [2]	Units	Notes
IDD_ACT_OD_1	While(1) executing on CPU0 from Flash; Cache Enabled, Core voltage at 1.2V; Clocked from PLL0 at 150 MHz; All peripheral clocks disabled	25	9.19	15	mA	
		113	16.20	27		
IDD_ACT_SD_1	While(1) executing on CPU0 from Flash; Cache Enabled, Core voltage at 1.1V; Clocked from PLL0 at 100 MHz; All peripheral clocks disabled	25	6.04	10	mA	
		113	11.33	19		
		125	14.05	23		
IDD_ACT_MD_1	While(1) executing on CPU0 from Flash; Cache Enabled, Core voltage at 1.0V; Clocked from the FIRC at 48 MHz; All peripheral clocks disabled	25	2.71	5	mA	
		113	6.75	12		
		125	8.86	15		

Table continues on the next page...

Table 20. DCDC @ 3.3 V...continued

Single Core, Flash, LPCAC cases						
Symbol	Description	Temperature, Tj (°C)	Typ [1]	Max [2]	Units	Notes
IDD_ACT_LP_1	While(1) executing on CPU0 from Flash; Cache Enabled, Core voltage at 1.0V; Clocked from the SIRC at 12 MHz; All peripheral clocks disabled	25	0.71	2	mA	
		113	4.89	8		
		125	7.10	12		
IDD_CM_OD_1	CoreMark executing on CPU0 from Flash; Cache Enabled, Core voltage at 1.2V; Clocked from PLL0 at 150 MHz; All peripheral clocks disabled	25	10.86	18	mA	
		113	17.99	30		
IDD_CM_SD_1	CoreMark executing on CPU0 from Flash; Cache Enabled, Core voltage at 1.1V; Clocked from PLL0 at 100 MHz; All peripheral clocks disabled	25	6.90	12	mA	
		113	12.29	21		
		125	15.04	25		
IDD_CM_MD_1	CoreMark executing on CPU0 from Flash; Cache Enabled, Core voltage at 1.0V; Clocked from the FIRC at 48 MHz; All peripheral clocks disabled	25	3.03	5	mA	
		113	7.10	12		
		125	9.21	16		
IDD_CM_LP_1	CoreMark executing on CPU0 from Flash; Cache Enabled, Core voltage at 1.0V; Clocked from the SIRC at 12 MHz; All peripheral clocks disabled	25	0.78	2	mA	
		113	4.92	9		
		125	7.06	12		
IDD_ACT_OD_2	While(1) executing on CPU0 from Flash; Cache Enabled, Core voltage at 1.2V; Clocked from PLL0 at 150 MHz; All peripheral clocks enabled	25	27.89	46	mA	
		113	35.27	58		
IDD_ACT_SD_2	While(1) executing on CPU0 from Flash; Cache Enabled, Core voltage at 1.1V; Clocked from PLL0 at 100 MHz; All peripheral clocks enabled	25	16.37	27	mA	
		113	21.93	36		
		125	24.69	41		
IDD_ACT_MD_2	While(1) executing on CPU0 from Flash; Cache Enabled, Core voltage at 1.0V; Clocked from the FIRC at 48 MHz; All peripheral clocks enabled	25	6.84	12	mA	
		113	10.94	18		
		125	13.03	22		
IDD_ACT_LP_2	While(1) executing on CPU0 from Flash; Cache Enabled, Core voltage at 1.0V; Clocked from the SIRC at 12 MHz; All peripheral clocks enabled	25	1.77	3	mA	
		113	5.89	10		
		125	8.02	14		
IDD_CM_OD_2	CoreMark executing on CPU0 from Flash; Cache Enabled, Core voltage at 1.2V; Clocked from PLL0 at 150 MHz; All peripheral clocks enabled	25	28.74	47	mA	
		113	36.23	60		

Table continues on the next page...

Table 20. DCDC @ 3.3 V...continued

Single Core, Flash, LPCAC cases						
Symbol	Description	Temperature, Tj (°C)	Typ [1]	Max [2]	Units	Notes
IDD_CM_SD_2	CoreMark executing on CPU0 from Flash; Cache Enabled, Core voltage at 1.1V; Clocked from PLL0 at 100 MHz; All peripheral clocks enabled	25	16.74	28	mA	
		113	22.40	37		
		125	25.18	42		
IDD_CM_MD_2	CoreMark executing on CPU0 from Flash; Cache Enabled, Core voltage at 1.0V; Clocked from the FIRC at 48 MHz; All peripheral clocks enabled	25	6.97	12	mA	
		113	11.09	19		
		125	13.20	22		
IDD_CM_LP_2	CoreMark executing on CPU0 from Flash; Cache Enabled, Core voltage at 1.0V; Clocked from the SIRC at 12 MHz; All peripheral clocks enabled	25	1.80	3	mA	
		113	5.94	10		
		125	8.06	14		

[1] Based on characterization of typical units. Not tested in production  
 [2] Based on characterization of typical numbers + 3 sigma. Not tested in production

Table 21. LDO @ 1.8 V

Single Core, Flash, LPCAC cases						
Symbol	Description	Temperature, Tj (°C)	Typ[1]	Max[2]	Units	Notes
IDD_ACT_OD_1	While(1) executing on CPU0 from Flash; Cache Enabled, Core voltage at 1.2V; Clocked from PLL0 at 150 MHz; All peripheral clocks disabled	25	20.00	33	mA	
		113	36.39	60		
IDD_ACT_SD_1	While(1) executing on CPU0 from Flash; Cache Enabled, Core voltage at 1.1V; Clocked from PLL0 at 100 MHz; All peripheral clocks disabled	25	12.69	21	mA	
		113	25.61	42		
		125	32.26	53		
IDD_ACT_MD_1	While(1) executing on CPU0 from Flash; Cache Enabled, Core voltage at 1.0V; Clocked from the FIRC at 48 MHz; All peripheral clocks disabled	25	5.84	10	mA	
		113	16.46	27		
		125	21.98	36		
IDD_ACT_LP_1	While(1) executing on CPU0 from Flash; Cache Enabled, Core voltage at 1.0V; Clocked from the SIRC at 12 MHz; All peripheral clocks disabled	25	1.69	3	mA	
		113	12.13	20		
		125	17.59	29		
IDD_CM_OD_1	CoreMark executing on CPU0 from Flash; Cache Enabled, Core voltage at 1.2V; Clocked from PLL0 at 150 MHz; All peripheral clocks disabled	25	23.60	39	mA	
		113	40.30	66		
IDD_CM_SD_1	CoreMark executing on CPU0 from Flash; Cache Enabled, Core voltage at	25	14.81	25	mA	

Table continues on the next page...

Table 21. LDO @ 1.8 V...continued

Single Core, Flash, LPCAC cases						
Symbol	Description	Temperature, Tj (°C)	Typ <sup>[1]</sup>	Max <sup>[2]</sup>	Units	Notes
	1.1V; Clocked from PLL0 at 100 MHz; All peripheral clocks disabled	113	27.95	46		
		125	34.49	57		
IDD_CM_MD_1	CoreMark executing on CPU0 from Flash; Cache Enabled, Core voltage at 1.0V; Clocked from the FIRC at 48 MHz; All peripheral clocks disabled	25	6.72	11	mA	
		113	17.38	29		
		125	22.84	38		
IDD_CM_LP_1	CoreMark executing on CPU0 from Flash; Cache Enabled, Core voltage at 1.0V; Clocked from the SIRC at 12 MHz; All peripheral clocks disabled	25	1.91	4	mA	
		113	12.36	21		
		125	17.73	29		
IDD_ACT_OD_2	While(1) executing on CPU0 from Flash; Cache Enabled, Core voltage at 1.2V; Clocked from PLL0 at 150 MHz; All peripheral clocks enabled	25	62.19	102	mA	
		113	79.63	130		
IDD_ACT_SD_2	While(1) executing on CPU0 from Flash; Cache Enabled, Core voltage at 1.1V; Clocked from PLL0 at 100 MHz; All peripheral clocks enabled	25	38.35	63	mA	
		113	51.66	85		
		125	58.30	96		
IDD_ACT_MD_2	While(1) executing on CPU0 from Flash; Cache Enabled, Core voltage at 1.0V; Clocked from the FIRC at 48 MHz; All peripheral clocks enabled	25	17.00	28	mA	
		113	27.65	46		
		125	33.16	55		
IDD_ACT_LP_2	While(1) executing on CPU0 from Flash; Cache Enabled, Core voltage at 1.0V; Clocked from the SIRC at 12 MHz; All peripheral clocks enabled	25	4.45	8	mA	
		113	14.89	25		
		125	20.28	34		
IDD_CM_OD_2	CoreMark executing on CPU0 from Flash; Cache Enabled, Core voltage at 1.2V; Clocked from PLL0 at 150 MHz; All peripheral clocks enabled	25	64.28	105	mA	
		113	81.81	134		
IDD_CM_SD_2	CoreMark executing on CPU0 from Flash; Cache Enabled, Core voltage at 1.1V; Clocked from PLL0 at 100 MHz; All peripheral clocks enabled	25	39.33	65	mA	
		113	52.82	87		
		125	59.47	97		
IDD_CM_MD_2	CoreMark executing on CPU0 from Flash; Cache Enabled, Core voltage at 1.0V; Clocked from the FIRC at 48 MHz; All peripheral clocks enabled	25	17.37	29	mA	
		113	28.08	46		
		125	33.59	55		
IDD_CM_LP_2	CoreMark executing on CPU0 from Flash; Cache Enabled, Core voltage at	25	4.54	8	mA	
		113	14.99	25		

Table continues on the next page...

Table 21. LDO @ 1.8 V...continued

Single Core, Flash, LPCAC cases						
Symbol	Description	Temperature, Tj (°C)	Typ <sup>[1]</sup>	Max <sup>[2]</sup>	Units	Notes
	1.0V; Clocked from the SIRC at 12 MHz; All peripheral clocks enabled	125	20.38	34		
Dual Core, Flash, LPCAC cases						
IDD_ACT_OD_3	While(1) executing on CPU0 from Flash; While(1) executing on CPU1 from RAM; Cache Enabled, Core voltage at 1.2V; Clocked from PLL0 at 150 MHz; All peripheral clocks disabled	25	27.08	45	mA	
		113	43.25	71		
IDD_ACT_SD_3	While(1) executing on CPU0 from Flash; While(1) executing on CPU1 from RAM; Cache Enabled, Core voltage at 1.1V; Clocked from PLL0 at 100 MHz; All peripheral clocks disabled	25	17.27	29	mA	
		113	30.33	50		
		125	36.90	61		
IDD_ACT_MD_3	While(1) executing on CPU0 from Flash; While(1) executing on CPU1 from RAM; Cache Enabled, Core voltage at 1.0V; Clocked from the FIRC at 48 MHz; All peripheral clocks disabled	25	7.79	13	mA	
		113	18.45	31		
		125	23.95	40		
IDD_ACT_LP_3	While(1) executing on CPU0 from Flash; While(1) executing on CPU1 from RAM; Cache Enabled, Core voltage at 1.0V; Clocked from the SIRC at 12 MHz; All peripheral clocks disabled	25	2.18	4	mA	
		113	12.63	21		
		125	18.04	30		
IDD_CM_OD_3	CoreMark executing on CPU0 from Flash; CoreMark executing on CPU1 from RAM; Cache Enabled, Core voltage at 1.2V; Clocked from PLL0 at 150 MHz; All peripheral clocks disabled	25	33.89	56	mA	
		113	50.27	82		
IDD_CM_SD_3	CoreMark executing on CPU0 from Flash; CoreMark executing on CPU1 from RAM; Cache Enabled, Core voltage at 1.1V; Clocked from PLL0 at 100 MHz; All peripheral clocks disabled	25	21.19	35	mA	
		113	34.51	57		
		125	41.11	68		
IDD_CM_MD_3	CoreMark executing on CPU0 from Flash; CoreMark executing on CPU1 from RAM; Cache Enabled, Core voltage at 1.0V; Clocked from the FIRC at 48 MHz; All peripheral clocks disabled	25	9.47	16	mA	
		113	20.20	33		
		125	25.70	42		
IDD_CM_LP_3	CoreMark executing on CPU0 from Flash; CoreMark executing on CPU1 from RAM; Cache Enabled, Core voltage	25	2.59	5	mA	
		113	13.06	22		
		125	18.44	31		

Table continues on the next page...

Table 21. LDO @ 1.8 V...continued

Single Core, Flash, LPCAC cases						
Symbol	Description	Temperature, Tj (°C)	Typ <sup>[1]</sup>	Max <sup>[2]</sup>	Units	Notes
	at 1.0V; Clocked from the SIRC at 12 MHz; All peripheral clocks disabled					
Single Core, RAM w Cache cases						
IDD_ACT_OD_5	While(1) executing on CPU0 from RAM; Cache Enabled; Core voltage at 1.2V; Clocked from PLL0 at 150 MHz; All peripheral clocks disabled	25	25.31	52	mA	
		113	39.17	79		
IDD_ACT_SD_5	While(1) executing on CPU0 from RAM; Cache Enabled; Core voltage at 1.1V; Clocked from PLL0 at 100 MHz; All peripheral clocks disabled	25	16.24	34	mA	
		113	29.51	60		
		125	35.74	73		
IDD_ACT_MD_5	While(1) executing on CPU0 from RAM; Cache Enabled; Core voltage at 1.0V; Clocked from the FIRC at 48 MHz; All peripheral clocks disabled	25	6.91	15	mA	
		113	18.15	37		
		125	23.47	48		
IDD_ACT_LP_5	While(1) executing on CPU0 from RAM; Cache Enabled RAM Core voltage at 1.0V; Clocked from the SIRC at 12 MHz; All peripheral clocks disabled	25	2.09	5	mA	
		113	12.55	26		
		125	17.88	37		

[1] Based on characterization of typical units. Not tested in production

[2] Based on characterization of typical numbers + 3 sigma. Not tested in production

Table 22. LDO @ 3.3V

Single Core, Flash, LPCAC cases						
Symbol	Description	Temperature, Tj (°C)	Typ <sup>[1]</sup>	Max <sup>[2]</sup>	Units	Notes
IDD_ACT_OD_1	While(1) executing on CPU0 from Flash; Cache Enabled, Core voltage at 1.2V; Clocked from PLL0 at 150 MHz; All peripheral clocks disabled	25	19.73	33	mA	
		113	35.53	58		
IDD_ACT_SD_1	While(1) executing on CPU0 from Flash; Cache Enabled, Core voltage at 1.1V; Clocked from PLL0 at 100 MHz; All peripheral clocks disabled	25	12.78	21	mA	
		113	25.74	42		
		125	32.48	53		
IDD_ACT_MD_1	While(1) executing on CPU0 from Flash; Cache Enabled, Core voltage at 1.0V; Clocked from the FIRC at 48 MHz; All peripheral clocks disabled	25	5.94	10	mA	
		113	16.54	27		
		125	22.17	37		
IDD_ACT_LP_1	While(1) executing on CPU0 from Flash; Cache Enabled, Core voltage at 1.0V;	25	1.74	3	mA	
		113	12.66	21		

Table continues on the next page...

Table 22. LDO @ 3.3V...continued

Single Core, Flash, LPCAC cases						
Symbol	Description	Temperature, Tj (°C)	Typ <sup>[1]</sup>	Max <sup>[2]</sup>	Units	Notes
	Clocked from the SIRC at 12 MHz; All peripheral clocks disabled	125	18.94	31		
IDD_CM_OD_1	CoreMark executing on CPU0 from Flash; Cache Enabled, Core voltage at 1.2V; Clocked from PLL0 at 150 MHz; All peripheral clocks disabled	25	23.42	39	mA	
		113	39.67	65		
IDD_CM_SD_1	CoreMark executing on CPU0 from Flash; Cache Enabled, Core voltage at 1.1V; Clocked from PLL0 at 100 MHz; All peripheral clocks disabled	25	14.92	25	mA	
		113	28.14	46		
		125	34.86	57		
IDD_CM_MD_1	CoreMark executing on CPU0 from Flash; Cache Enabled, Core voltage at 1.0V; Clocked from the FIRC at 48 MHz; All peripheral clocks disabled	25	6.82	12	mA	
		113	17.50	29		
		125	23.10	38		
IDD_CM_LP_1	CoreMark executing on CPU0 from Flash; Cache Enabled, Core voltage at 1.0V; Clocked from the SIRC at 12 MHz; All peripheral clocks disabled	25	1.94	4	mA	
		113	12.90	22		
		125	19.13	32		
IDD_ACT_OD_2	While(1) executing on CPU0 from Flash; Cache Enabled, Core voltage at 1.2V; Clocked from PLL0 at 150 MHz; All peripheral clocks enabled	25	61.74	101	mA	
		113	78.93	129		
IDD_ACT_SD_2	While(1) executing on CPU0 from Flash; Cache Enabled, Core voltage at 1.1V; Clocked from PLL0 at 100 MHz; All peripheral clocks enabled	25	38.48	63	mA	
		113	51.99	85		
		125	58.84	96		
IDD_ACT_MD_2	While(1) executing on CPU0 from Flash; Cache Enabled, Core voltage at 1.0V; Clocked from the FIRC at 48 MHz; All peripheral clocks enabled	25	17.12	28	mA	
		113	27.83	46		
		125	33.47	55		
IDD_ACT_LP_2	While(1) executing on CPU0 from Flash; Cache Enabled, Core voltage at 1.0V; Clocked from the SIRC at 12 MHz; All peripheral clocks enabled	25	4.52	8	mA	
		113	15.45	26		
		125	21.69	36		
IDD_CM_OD_2	CoreMark executing on CPU0 from Flash; Cache Enabled, Core voltage at 1.2V; Clocked from PLL0 at 150 MHz; All peripheral clocks enabled	25	63.75	104	mA	
		113	81.08	133		
IDD_CM_SD_2	CoreMark executing on CPU0 from Flash; Cache Enabled, Core voltage at	25	39.44	65	mA	
		113	53.18	87		

Table continues on the next page...

Table 22. LDO @ 3.3V...continued

Single Core, Flash, LPCAC cases						
Symbol	Description	Temperature, Tj (°C)	Typ <sup>[1]</sup>	Max <sup>[2]</sup>	Units	Notes
	1.1V; Clocked from PLL0 at 100 MHz; All peripheral clocks enabled	125	60.03	98		
IDD_CM_MD_2	CoreMark executing on CPU0 from Flash; Cache Enabled, Core voltage at 1.0V; Clocked from the FIRC at 48 MHz; All peripheral clocks enabled	25	17.50	29	mA	
		113	28.27	47		
		125	33.89	56		
IDD_CM_LP_2	CoreMark executing on CPU0 from Flash; Cache Enabled, Core voltage at 1.0V; Clocked from the SIRC at 12 MHz; All peripheral clocks enabled	25	4.61	8	mA	
		113	15.58	26		
		125	21.82	36		
Dual Core, Flash, LPCAC cases						
IDD_ACT_OD_3	While(1) executing on CPU0 from Flash; While(1) executing on CPU1 from RAM; Cache Enabled, Core voltage at 1.2V; Clocked from PLL0 at 150 MHz; All peripheral clocks disabled	25	27.17	45	mA	
		113	43.59	72		
IDD_ACT_SD_3	While(1) executing on CPU0 from Flash; While(1) executing on CPU1 from RAM; Cache Enabled, Core voltage at 1.1V; Clocked from PLL0 at 100 MHz; All peripheral clocks disabled	25	17.37	29	mA	
		113	30.56	50		
		125	37.27	61		
IDD_ACT_MD_3	While(1) executing on CPU0 from Flash; While(1) executing on CPU1 from RAM; Cache Enabled, Core voltage at 1.0V; Clocked from FIRC at 48 MHz; All peripheral clocks disabled	25	7.90	13	mA	
		113	18.59	31		
		125	24.18	40		
IDD_ACT_LP_3	While(1) executing on CPU0 from Flash; While(1) executing on CPU1 from RAM; Cache Enabled, Core voltage at 1.0V; Clocked from the SIRC at 12 MHz; All peripheral clocks disabled	25	2.20	4	mA	
		113	13.18	22		
		125	19.43	32		
IDD_CM_OD_3	CoreMark executing on CPU0 from Flash; CoreMark executing on CPU1 from RAM; Cache Enabled, Core voltage at 1.2V; Clocked from PLL0 at 100 MHz; All peripheral clocks disabled	25	33.99	56	mA	
		113	50.70	83		
IDD_CM_SD_3	CoreMark executing on CPU0 from Flash; CoreMark executing on CPU1 from RAM; Cache Enabled, Core voltage at 1.1V; Clocked from PLL0 at 100 MHz; All peripheral clocks disabled	25	21.32	35	mA	
		113	34.78	57		
		125	41.52	68		

Table continues on the next page...

Table 22. LDO @ 3.3V...continued

Single Core, Flash, LPCAC cases						
Symbol	Description	Temperature, Tj (°C)	Typ <sup>[1]</sup>	Max <sup>[2]</sup>	Units	Notes
IDD_CM_MD_3	CoreMark executing on CPU0 from Flash; CoreMark executing on CPU1 from RAM; Cache Enabled, Core voltage at 1.0V; Clocked from FIRC at 48 MHz; All peripheral clocks disabled	25	9.58	16	mA	
		113	20.36	34		
		125	25.94	43		
IDD_CM_LP_3	CoreMark executing on CPU0 from Flash; CoreMark executing on CPU1 from RAM; Cache Enabled, Core voltage at 1.0V; Clocked from the SIRC at 12 MHz; All peripheral clocks disabled	25	2.63	5	mA	
		113	13.63	23		
		125	19.88	33		
<b>Single Core, RAM w Cache cases</b>						
IDD_ACT_OD_5	While(1) executing on CPU0 from RAM; Cache Enabled; Core voltage at 1.2V; Clocked from PLL0 at 150 MHz; All peripheral clocks disabled	25	25.48	41	mA	
		113	42.34	68		
IDD_ACT_SD_5	While(1) executing on CPU0 from RAM; Cache Enabled; Core voltage at 1.1V; Clocked from PLL0 at 100 MHz; All peripheral clocks disabled	25	16.41	27	mA	
		113	30.04	48		
		125	36.22	58		
IDD_ACT_MD_5	While(1) executing on CPU0 from RAM; Cache Enabled; Core voltage at 1.0V; Clocked from the FIRC at 48 MHz; All peripheral clocks disabled	25	7.60	13	mA	
		113	18.67	31		
		125	24.94	41		
IDD_ACT_LP_5	While(1) executing on CPU0 from RAM; Cache Enabled RAM Core voltage at 1.0V; Clocked from the SIRC at 12 MHz; All peripheral clocks disabled	25	2.17	4	mA	
		113	13.05	22		
		125	19.33	32		
<b>Single Core, Flash w/o LPCAC cases</b>						
IDD_CM_OD_6	CoreMark executing on CPU0 from Flash; Cache Disabled; Core voltage at 1.2V; Clocked from PLL0 at 150 MHz; All peripheral clocks disabled	25	24.52	40	mA	
		113	40.92	67		
IDD_CM_SD_6	CoreMark executing on CPU0 from Flash; Cache Disabled; Core voltage at 1.1V; Clocked from PLL0 at 100 MHz; All peripheral clocks disabled	25	15.57	26	mA	
		113	28.85	48		
		125	35.56	58		
IDD_CM_MD_6	CoreMark executing on CPU0 from Flash; Cache Disabled; Core voltage at 1.0V; Clocked from the FIRC at 48 MHz; All peripheral clocks disabled	25	7.08	12	mA	
		113	17.81	30		
		125	23.39	39		

[1] Based on characterization of typical units. Not tested in production  
 [2] Based on characterization of typical numbers + 3 sigma. Not tested in production

Appendix B: Static IDD

Note: Refer to Thermal specifications for formula to calculate Ta from Tj

Table 23. DCDC @ 3.3 V

Single Core, Flash, LPCAC cases						
Symbol	Description	Temperature, Tj (°C)	Typ <sup>[1]</sup>	Max <sup>[2]</sup>	Units	Notes
IDD_SLEEP	Core_Main in Sleep; Core_Wake in Sleep; IVS disabled; All RAM retained; Core voltage at 1.0V; Core clocked at 48MHz by FIRC; All regulators in Normal mode	25	1.89	4	mA	
		113	6.28	13		
		125	9.25	18		
IDD_SLEEP_LP	Core_Main in Sleep; Core_Wake in Sleep; IVS disabled; All RAM retained; Core voltage at 1.0V; Core clocked at 48MHz by FIRC; Core regulator in low power mode, System regulator in Normal mode	25	1.53	3	mA	
		113	6.07	13		
		125	8.41	18		
IDD_DSLEEP_OD	Core_Main in Deep Sleep; Core_Wake in Deep Sleep; IVS disabled; All HVD/LVD enabled; Core voltage at 1.2V; All RAM retained; All regulators in Normal mode	25	0.93	2	mA	
		113	7.56	19		
IDD_DSLEEP_MD	Core_Main in Deep Sleep; Core_Wake in Deep Sleep; IVS disabled; All HVD/LVD enabled; Core voltage at 1.0V; All RAM retained; All regulators in Normal mode	25	0.74	2	mA	
		113	4.61	11		
		125	6.64	15		
IDD_DSLEEP_IVS	Core_Main in Deep Sleep; Core_Wake in Deep Sleep; IVS enabled; All HVD/LVD disabled; Core voltage at 1.0V; All RAM retained; All regulators in Normal mode	25	0.74	2	mA	
		113	4.58	11		
		125	6.59	15		
IDD_DSLEEP_LP	Core_Main in Deep Sleep; Core_Wake in Deep Sleep; IVS enabled; All HVD/LVD disabled; All RAM retained; Core voltage at 1.0V; All Regulators in low power mode	25	0.17	1	mA	
		113	4.12	11		
		125	6.17	15		
IDD_PDOWN_64K	Core_Main in Power Down; Core_Wake in Power Down; IVS enabled; All HVD/LVD disabled; 64KB RAM retained; Core voltage at 1.0V; All regulators in low power mode	25	1.97	-	µA	
		113	48.37	-		
		125	94.25	-		
IDD_PDOWN_128K	Core_Main in Power Down; Core_Wake in Power Down; IVS enabled; All HVD/LVD disabled; 128KB RAM retained; Core voltage at 1.0V; All regulators in low power mode	25	2.31	-	µA	
		113	56.18	-		
		125	109.42	-		
IDD_PDOWN_OD	Core_Main in Power Down; Core_Wake in Power Down; IVS disabled; All HVD/LVD enabled; Core voltage at 1.2V;	25	588.25	-	µA	
		113	669.54	-		

Table continues on the next page...

Table 23. DCDC @ 3.3 V...continued

Symbol	Description	Temperature, Tj (°C)	Typ <sup>[1]</sup>	Max <sup>[2]</sup>	Units	Notes
	No RAM retained; All regulators in Normal mode					
IDD_PDOWN_MD	Core_Main in Power Down; Core_Wake in Power Down; IVS disabled; All HVD/LVD enabled; Core voltage at 1.0V; No RAM retained; All regulators in Normal mode	25	582.72	-	µA	
		113	650.05	-		
		125	683.72	-		
IDD_PDOWN_IVS	Core_Main in Power Down; Core_Wake in Power Down; IVS enabled; All HVD/LVD enabled; Core voltage at 1.0V; No RAM retained; All regulators in Normal mode	25	581.34	-	µA	
		113	641.27	-		
		125	668.90	-		
IDD_PDOWN_WK_DS	Core_Main in Power Down; Core_Wake in Deep Sleep; IVS enabled; All HVD/LVD disabled; No RAM retained; Core voltage at 1.0V; All regulators in low power mode	25	33.69	-	µA	
		113	272.77	-		
		125	394.07	-		
IDD_PDOWN_RE T_0V7	Core_Main in Power Down; Core_Wake in Power Down; IVS disabled; All HVD/LVD disabled; Core voltage at 0.7V; All RAM retained; All regulators in low power mode	25	5.18	-	µA	
		113	98.80	-		
		125	176.14	-		
IDD_DPDOWN_0	Core_Main in Deep Power Down; Core_Wake in Deep Power Down; IVS powered down; All HVD/LVD disabled; No RAM retained; DCDC output disabled; Core regulator in low power mode, System regulator in Normal mode	25	133.32	-	µA	
		113	153.96	-		
		125	170.90	-		
IDD_DPDOWN_L P	Core_Main in Deep Power Down; Core_Wake in Deep Power Down; IVS powered down; All HVD/LVD disabled; No RAM retained; DCDC output disabled; All regulators in low power mode	25	0.96	-	µA	
		113	18.39	-		
		125	31.37	-		
IDD_DPDOWN_O SC32K	Core_Main in Deep Power Down; Core_Wake in Deep Power Down; IVS powered down; All HVD/LVD disabled; No RAM retained; DCDC output disabled; All regulators in low power mode; OSC32K enabled	25	1.22	-	µA	
		113	19.61	-		
		125	32.13	-		
IDD_DPDOWN_F RO16K	Core_Main in Deep Power Down; Core_Wake in Deep Power Down; IVS powered down; All HVD/LVD disabled;	25	0.92	-	µA	
		113	18.40	-		

Table continues on the next page...

Table 23. DCDC @ 3.3 V...continued

Single Core, Flash, LPCAC cases						
Symbol	Description	Temperature, Tj (°C)	Typ <sup>[1]</sup>	Max <sup>[2]</sup>	Units	Notes
	No RAM retained; All regulators in low power mode; FRO16K enabled	125	31.63	-		
IDD_DPDOWN_32K	Core_Main in Deep Power Down; Core_Wake in Deep Power Down; IVS powered down; All HVD/LVD disabled; No RAM retained; All regulators in low power mode; 32KB VBAT SRAM retained	25	1.35	-	µA	
		113	30.88	-		
		125	52.36	-		
IDD_VBAT_0	VBAT mode; DCDC output disabled	25	0.19	-	µA	[3]
		113	4.76	-		
		125	7.56	-		
IDD_VBAT_32K	VBAT mode; DCDC output disabled; 32KB VBAT SRAM retained	25	0.66	-	µA	[3]
		113	17.35	-		
		125	28.23	-		
IDD_VBAT_8K	VBAT mode; DCDC output disabled; 8KB VBAT SRAM retained	25	0.43	-	µA	[3]
		113	8.12	-		
		125	13.08	-		
IDD_VBAT_OSC32K	VBAT mode; DCDC output disabled; RTC enabled and clocked from OSC32K	25	0.64	-	µA	[3]
		113	4.93	-		
		125	7.96	-		
IDD_VBAT_FRO16K	VBAT mode; DCDC output disabled; RTC enabled and clocked from FRO16K	25	0.56	-	µA	[3]
		113	4.86	-		
		125	7.94	-		

[1] Based on characterization of typical units. Not tested in production

[2] Based on characterization of typical numbers + 3 sigma. Not tested in production

[3] Power measurements for IDD\_VBATx symbols are attained after turning off external power supplies to all domains, except VDD\_BAT

**Note:** Refer to Thermal specifications for formula to calculate Ta from Tj

Table 24. LDO @ 1.8 V

Symbol	Description	Temperature, Tj (°C)	Typ <sup>[1]</sup>	Max <sup>[2]</sup>	Units	Notes
IDD_SLEEP	Core_Main in Sleep; Core_Wake in Sleep; IVS disabled; All RAM retained; Core voltage at 1.0V; Core clocked at 48MHz by FIRG; All regulators in Normal mode	25	3.64	7	mA	
		113	15.25	33		
		125	22.64	46		

Table continues on the next page...

Table 24. LDO @ 1.8 V...continued

Symbol	Description	Temperature, Tj (°C)	Typ <sup>[1]</sup>	Max <sup>[2]</sup>	Units	Notes
IDD_SLEEP_LP	Core_Main in Sleep; Core_Wake in Sleep; IVS disabled; All RAM retained; Core voltage at 1.0V; Core clocked at 48MHz by FIRC; Core regulator in low power mode, System regulator in Normal mode	25	3.47	7	mA	
		113	14.94	32		
		125	20.87	44		
IDD_DSLEEP_OD	Core_Main in Deep Sleep; Core_Wake in Deep Sleep; IVS disabled; All HVD/LVD enabled; Core voltage at 1.2V; All RAM retained; All regulators in Normal mode	25	1.06	3	mA	
		113	16.67	41		
IDD_DSLEEP_MD	Core_Main in Deep Sleep; Core_Wake in Deep Sleep; IVS disabled; All HVD/LVD enabled; Core voltage at 1.0V; All RAM retained; All regulators in Normal mode	25	0.65	2	mA	
		113	10.83	27		
		125	16.08	38		
IDD_DSLEEP_IVS	Core_Main in Deep Sleep; Core_Wake in Deep Sleep; IVS enabled; All HVD/LVD disabled; Core voltage at 1.0V; All RAM retained; All regulators in Normal mode	25	0.63	2	mA	
		113	10.74	27		
		125	15.93	38		
IDD_DSLEEP_LP	Core_Main in Deep Sleep; Core_Wake in Deep Sleep; IVS enabled; All HVD/LVD disabled; All RAM retained; Core voltage at 1.0V; All Regulators in low power mode	25	0.43	2	mA	
		113	10.71	26		
		125	15.45	37		
IDD_PDOWN_LP	Core_Main in Power Down; Core_Wake in Power Down; IVS enabled; All HVD/LVD disabled; No RAM retained; Core voltage at 1.0V; All regulators in low power mode	25	3.24	-	µA	
		113	74.37	-		
		125	132.00	-		
IDD_PDOWN_WK_DS	Core_Main in Power Down; Core_Wake in Deep Sleep; IVS enabled; All HVD/LVD disabled; No RAM retained; Core voltage at 1.0V; All regulators in low power mode	25	56.59	-	µA	
		113	612.39	-		
		125	881.93	-		
IDD_PDOWN_32K	Core_Main in Power Down; Core_Wake in Power Down; IVS enabled; All HVD/LVD disabled; 32KB RAM retained; Core voltage at 1.0V; All regulators in low power mode	25	3.30	-	µA	
		113	83.21	-		
		125	154.15	-		
IDD_PDOWN_64K	Core_Main in Power Down; Core_Wake in Power Down; IVS enabled; All HVD/LVD disabled; 64KB RAM retained; Core voltage at 1.0V; All regulators in low power mode	25	3.58	-	µA	
		113	93.45	-		
		125	172.60	-		
IDD_PDOWN_128K	Core_Main in Power Down; Core_Wake in Power Down; IVS enabled; All	25	4.13	-	µA	

Table continues on the next page...

Table 24. LDO @ 1.8 V...continued

Symbol	Description	Temperature, Tj (°C)	Typ <sup>[1]</sup>	Max <sup>[2]</sup>	Units	Notes
	HVD/LVD disabled; 128KB RAM retained; Core voltage at 1.0V; All regulators in low power mode	113	114.58	-		
		125	208.49	-		
IDD_PDOWN_OD	Core_Main in Power Down; Core_Wake in Power Down; IVS disabled; All HVD/LVD enabled; Core voltage at 1.2V; No RAM retained; All regulators in Normal mode	25	222.76	-	µA	
		113	357.79	-		
IDD_PDOWN_MD	Core_Main in Power Down; Core_Wake in Power Down; IVS disabled; All HVD/LVD enabled; Core voltage at 1.0V; No RAM retained; All regulators in Normal mode	25	209.30	-	µA	
		113	316.31	-		
		125	393.64	-		
IDD_PDOWN_IVS	Core_Main in Power Down; Core_Wake in Power Down; IVS enabled; All HVD/LVD enabled; Core voltage at 1.0V; No RAM retained; All regulators in Normal mode	25	204.60	-	µA	
		113	291.74	-		
		125	358.82	-		

[1] Based on characterization of typical units. Not tested in production  
 [2] Based on characterization of typical numbers + 3 sigma. Not tested in production

Table 25. LDO @ 3.3 V

Symbol	Description	Temperature, Tj (°C)	Typ <sup>[1]</sup>	Max <sup>[2]</sup>	Units	Notes
IDD_SLEEP	Core_Main in Sleep; Core_Wake in Sleep; IVS disabled; All RAM retained; Core voltage at 1.0V; Core clocked at 48MHz by FIRC; All regulators in Normal mode	25	3.75	8	mA	
		113	15.40	34		
		125	23.15	47		
IDD_SLEEP_LP	Core_Main in Sleep; Core_Wake in Sleep; IVS disabled; All RAM retained; Core voltage at 1.0V; Core clocked at 48MHz by FIRC; Core regulator in low power mode, System regulator in Normal mode	25	3.62	7	mA	
		113	15.70	33		
		125	22.56	45		
IDD_DSLEEP_OD	Core_Main in Deep Sleep; Core_Wake in Deep Sleep; IVS disabled; All HVD/LVD enabled; Core voltage at 1.2V; All RAM retained; All regulators in Normal mode	25	1.14	3	mA	
		113	16.20	42		
IDD_DSLEEP_MD	Core_Main in Deep Sleep; Core_Wake in Deep Sleep; IVS disabled; All HVD/LVD enabled; Core voltage at 1.0V; All RAM retained; All regulators in Normal mode	25	0.76	2	mA	
		113	10.95	27		
		125	16.22	39		

Table continues on the next page...

Table 25. LDO @ 3.3 V...continued

Symbol	Description	Temperature, Tj (°C)	Typ <sup>[1]</sup>	Max <sup>[2]</sup>	Units	Notes
IDD_DSLEEP_IV S	Core_Main in Deep Sleep; Core_Wake in Deep Sleep; IVS enabled; All HVD/LVD disabled; No RAM retained;	25	0.74	2	mA	
		113	10.86	27		
		125	16.08	39		
IDD_DSLEEP_LP	Core_Main in Deep Sleep; Core_Wake in Deep Sleep; IVS enabled; All HVD/LVD disabled; All RAM retained; Core voltage at 1.0V; All Regulators in low power mode	25	0.44	2	mA	
		113	10.89	26		
		125	16.79	37		
IDD_PDOWN_OD	Core_Main in Power Down; Core_Wake in Power Down; IVS disabled; All HVD/LVD enabled; Core voltage at 1.2V; No RAM retained; All regulators in Normal mode	25	329.98	-	µA	
		113	461.51	-		
IDD_PDOWN_MD	Core_Main in Power Down; Core_Wake in Power Down; IVS disabled; All HVD/LVD enabled; Core voltage at 1.0V; No RAM retained; All regulators in Normal mode	25	317.87	-	µA	
		113	428.49	-		
		125	507.62	-		
IDD_PDOWN_IVS	Core_Main in Power Down; Core_Wake in Power Down; IVS enabled; All HVD/LVD enabled; Core voltage at 1.0V; No RAM retained; All regulators in Normal mode	25	313.52	-	µA	
		113	404.59	-		
		125	471.72	-		
IDD_PDOWN_LP	Core_Main in Power Down; Core_Wake in Power Down; IVS enabled; All HVD/LVD disabled; No RAM retained; Core voltage at 1.0V; All regulators in low power mode	25	4.25	-	µA	
		113	78.70	-		
		125	153.72	-		
IDD_PDOWN_WK_DS	Core_Main in Power Down; Core_Wake in Deep Sleep; IVS enabled; All HVD/LVD disabled; No RAM retained; Core voltage at 1.0V; All regulators in low power mode	25	58.72	-	µA	
		113	639.62	-		
		125	954.22	-		
IDD_PDOWN_32 K	Core_Main in Power Down; Core_Wake in Power Down; IVS enabled; All HVD/LVD disabled; 32KB RAM retained; Core voltage at 1.0V; All regulators in low power mode	25	4.46	-	µA	
		113	91.74	-		
		125	176.97	-		
IDD_PDOWN_64 K	Core_Main in Power Down; Core_Wake in Power Down; IVS enabled; All HVD/LVD disabled; 64KB RAM retained; Core voltage at 1.0V; All regulators in low power mode	25	4.67	-	µA	
		113	102.24	-		
		125	195.37	-		

Table continues on the next page...

Table 25. LDO @ 3.3 V...continued

Symbol	Description	Temperature, Tj (°C)	Typ <sup>[1]</sup>	Max <sup>[2]</sup>	Units	Notes
IDD_PDOWN_128K	Core_Main in Power Down; Core_Wake in Power Down; IVS enabled; All HVD/LVD disabled; 128KB RAM retained; Core voltage at 1.0V; All regulators in low power mode	25	5.14	-	µA	
		113	123.85	-		
		125	233.62	-		

[1] Based on characterization of typical units. Not tested in production  
 [2] Based on characterization of typical numbers + 3 sigma. Not tested in production

Note: Refer to Thermal specifications for formula to calculate Ta from Tj

### 3.2.7 EMC radiated emissions operating behaviors

EMC measurements to IC-level IEC standards are available from NXP on request.

### 3.2.8 Designing with radiated emissions in mind

To find application notes that provide guidance on designing your system to minimize interference from radiated emissions:

1. Go to <http://www.nxp.com>.
2. Perform a keyword search for “EMC design”.

### 3.2.9 Capacitance attributes

Table 26. Capacitance attributes

Symbol	Description	Min.	Max.	Unit
C <sub>IN_A</sub>	Input capacitance: analog pins	—	7	pF
C <sub>IN_D</sub>	Input capacitance: digital pins	—	7	pF

## 3.3 Switching specifications

### 3.3.1 Device clock specifications

Table 27. Device clock specifications

Symbol	Description	Min.	Max.	Unit	Notes
f <sub>LPTMR</sub>	LPTMR clock	—	25	MHz	
Overdrive mode					
f <sub>CPU</sub>	CPU clock (CPU_CLK)	—	150	MHz	[1]
f <sub>AHB</sub>	AHB clock (AHB_CLK)	—	150	MHz	
f <sub>SLOW</sub>	Slow clock (SLOW_CLK)	—	37.5	MHz	
Standard Drive mode					
f <sub>CPU</sub>	CPU clock (CPU_CLK)	—	100	MHz	
f <sub>AHB</sub>	AHB clock (AHB_CLK)	—	100	MHz	

Table continues on the next page...

Table 27. Device clock specifications...continued

Symbol	Description	Min.	Max.	Unit	Notes
f <sub>SLOW</sub>	Slow clock (SLOW_CLK)	—	25	MHz	
Mid-Drive mode					
f <sub>CPU</sub>	CPU clock (CPU_CLK)	—	50	MHz	
f <sub>AHB</sub>	AHB clock (AHB_CLK)	—	50	MHz	
f <sub>SLOW</sub>	Slow clock (SLOW_CLK)	—	12.5	MHz	

[1] The maximum value of system clock, core clock, AHB clock, and flash clock under normal run mode can be 3 % higher than the specified maximum frequency when FRO144M is used as the clock source.

### 3.3.2 General switching specifications

These general-purpose specifications apply to all signals configured for GPIO, LPUART, LPTMR, TPM, CAN, LPI2C, LPI3C, LPSPi, or FlexIO functions.

**Note:** Pad types are specified in the pinout spreadsheet attached to this document.

Table 28. General switching specifications

Description	Min.	Max.	Unit	Notes
GPIO pin interrupt pulse width (passive filter enabled) — Synchronous path	Largest of 1.5 and 150	—	AHB clock cycles ns	[1], [2]
GPIO pin interrupt pulse width (passive filter disabled)— Synchronous path	1.5	—	AHB clock cycles	[1], [2]
GPIO pin interrupt pulse width (passive filter enabled) — Asynchronous path	150	—	ns	[1], [3]
GPIO pin interrupt pulse width (passive filter disabled) — Asynchronous path	50	—	ns	[1], [3]
AON pins and RESET_B pin interrupt pulse width (passive filter enabled)— Asynchronous path	330	—	ns	[1], [4]
AON pins and RESET_B pin interrupt pulse width (passive filter disabled)—Asynchronous path	10	—	ns	[1]
<b>Port rise/fall time</b>				
Slow I/O pins • 2.7 ≤ VDD_Px ≤ 3.6 V — Fast slew rate (SRE = 0; DSE = 0) — Slow slew rate (SRE = 1; DSE = 0) • 1.71 ≤ VDD_Px < 2.7 V — Fast slew rate (SRE = 0; DSE = 1) — Slow slew rate (SRE = 1; DSE = 1)	2.5 4.6 1.6 4.3	7 15 7 20	ns	[5]
Fast I/O pins				[8],[9]

Table continues on the next page...

Table 28. General switching specifications...continued

Description	Min.	Max.	Unit	Notes
<ul style="list-style-type: none"> <li>• <math>2.7 \leq VDD_{Px} \leq 3.6 V</math> <ul style="list-style-type: none"> <li>— Fast slew rate (SRE = 0; DSE = 0)<sup>[6]</sup></li> <li>— Slow slew rate (SRE = 1; DSE = 0)<sup>[6]</sup></li> </ul> </li> <li>• <math>1.71 \leq VDD_{Px} &lt; 2.7 V</math> <ul style="list-style-type: none"> <li>— Fast slew rate (SRE = 0; DSE = 1)<sup>[6]</sup></li> <li>— Slow slew rate (SRE = 1; DSE = 1)<sup>[6]</sup></li> </ul> </li> <li>• <math>1.14 \leq VDD_{Px} &lt; 1.32 V</math> <ul style="list-style-type: none"> <li>— Fast slew rate (SRE = 0; DSE = 1)<sup>[7]</sup></li> <li>— Slow slew rate (SRE = 1; DSE = 1)<sup>[7]</sup></li> </ul> </li> </ul>	0.8 0.9 0.5 0.6 2 2	2 2.5 2 2.5 7 8	ns	
<p>Medium I/O pins</p> <ul style="list-style-type: none"> <li>• <math>2.7 \leq VDD_{Px} \leq 3.6 V</math> <ul style="list-style-type: none"> <li>— Fast slew rate (SRE = 0; DSE = 0)</li> <li>— Slow slew rate (SRE = 1; DSE = 0)</li> </ul> </li> <li>• <math>1.71 \leq VDD_{Px} &lt; 2.7 V</math> <ul style="list-style-type: none"> <li>— Fast slew rate (SRE = 0; DSE = 1)</li> <li>— Slow slew rate (SRE = 1; DSE = 1)</li> </ul> </li> </ul>	1.500 2.071 1.105 1.815	3.322 4.864 3.536 6.173	ns	[5]
<p>AON pins and RESET_B pin</p> <ul style="list-style-type: none"> <li>• <math>2.7 \leq VDD_{Px} \leq 3.6 V</math></li> <li>• <math>1.71 \leq VDD_{Px} &lt; 2.7 V</math></li> </ul>	3 3.6	8 20	ns	[10]

[1] This is the shortest pulse that is guaranteed to be recognized.  
 [2] Synchronous path is used in active and sleep mode for pin functions other than WUU. Pins configured as WUU use asynchronous path in all power modes.  
 [3] Asynchronous path is used deep sleep, power down, and deep power down modes.  
 [4] The passive filter is always enabled for the RESET\_B pin.  
 [5] Load is 25 pF. Drive strength and slew rate are configured using PORTx\_PCRn[DSE] and PORTx\_PCRn[SRE].  
 [6] 15 pF lumped load.  
 [7] 25 pF lumped load.  
 [8] These are Port 3 and Port 2 pins.  
 [9] Uses default configuration for NCAL and PCAL in PORTS.  
 [10] Load is 25 pF.

### 3.4 Thermal specifications

#### 3.4.1 Thermal operating requirements

Table 29. Thermal operating requirements

Symbol	Description	Min.	Typical	Max.	Unit	Notes
T <sub>A</sub>	Ambient temperature	-40	25	125	°C	[1]
T <sub>J</sub>	Die junction temperature maximum	-	-	125	°C	[2],[3], [4],[5]

[1] The device may operate at maximum T<sub>A</sub> rating as long as T<sub>J</sub> maximum of 125 °C is not exceeded. The simplest method to determine T<sub>J</sub> is: T<sub>J</sub> = T<sub>A</sub> + R<sub>θJA</sub> × chip power dissipation.

- [2] The device operating specification is not guaranteed beyond 125 °C T<sub>J</sub>.
- [3] The maximum operating requirement applies to all chapters unless otherwise specifically stated.
- [4] Operating at maximum conditions for extended periods may affect device reliability. Refer to Product Lifetime Usage application note (AN14180)
- [5] Over-drive mode, at 1.2 V, is not supported above T<sub>J</sub> 113 °C.

### 3.4.2 Thermal attributes

Table 30. Thermal attributes

Board type <sup>[1]</sup>	Symbol	Description	100 HMQFP	184 BGA	172 HDQFP	Unit	Notes
2s2p	R <sub>θJA</sub>	Junction to Ambient Thermal resistance,	26.4	41.6	32.4	°C/W	[2]
1s	R <sub>θJC</sub>	Thermal resistance, junction to case	6.0	17.1	11.3	°C/W	[3]
2s2p	Ψ <sub>JT</sub>	Junction to top of package Thermal characterization parameter	4.7	4.6	0.6	°C/W	[2]

- [1] Thermal test board meets JEDEC specification for respective package (JESD51-7 for the 100 HMQFP and 172 HDQFP; JESD51-9 for the 184 BGA)
- [2] Determined in accordance to JEDEC JESD51-2A natural convection environment. Thermal resistance data in this report is solely for a thermal performance comparison of one package to another in a standardized specified environment. It is not meant to predict the performance of a package in an application-specific environment.
- [3] Junction-to-Case thermal resistance determined using an isothermal cold plate. Case temperature refers to the package bottom surface temperature in the case of the 100 HMQFP package, and to the mold surface temperature at the center of the top of the package in the case of the HDQFP package.

## 4 Peripheral operating requirements and behaviors

### 4.1 Core modules

#### 4.1.1 Debug trace timing specifications

Table 31. Debug trace operating behaviors

Symbol	Description	Min.	Max.	Unit
	Frequency of operation			MHz
	• OD mode	—	48	
	• SD mode	—	36	
	• MD mode	—	25	
T1	Clock period			ns
	• OD mode	20.82	—	
	• SD mode	27.78	—	
	• MD mode	40	—	
T2	Low pulse width	2	—	ns
T3	High pulse width	2	—	ns
T4	Clock and data rise time	—	3	ns
T5	Clock and data fall time	—	3	ns
T6	Data setup	1.5	—	ns
T7	Data hold	1.0	—	ns

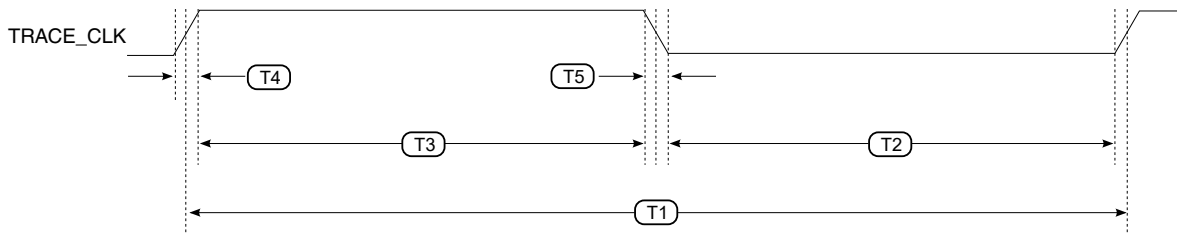


Figure 6. TRACE\_CLKOUT specifications

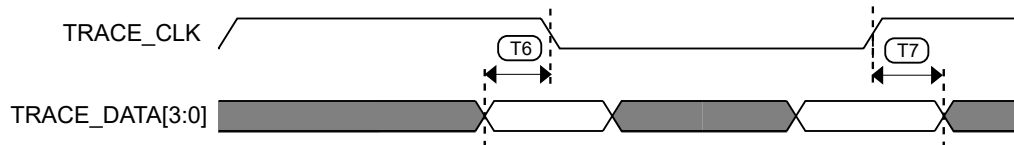


Figure 7. Trace data specifications

### 4.1.2 JTAG electricals

Table 32. JTAG timing (full voltage range)

Symbol	Description	Min.	Max.	Unit
	Operating voltage	1.71	3.6	V
J1	TCLK frequency of operation <ul style="list-style-type: none"> <li>• Boundary Scan</li> <li>• JTAG-DP/TAP (OD and SD mode)</li> <li>• JTAG-DP/TAP (MD mode)</li> </ul>	—	10 25 20	MHz MHz MHz
J2	TCLK cycle period	1/J1	—	ns
J3	TCLK clock pulse width <ul style="list-style-type: none"> <li>• Boundary Scan</li> <li>• JTAG-DP/TAP</li> </ul>	50 25	— —	ns ns
J4	TCLK rise and fall times	—	3	ns
J5	Boundary scan input data setup time to TCLK rise	20	—	ns
J6	Boundary scan input data hold time after TCLK rise	2	—	ns
J7	TCLK low to boundary scan output data valid	—	30	ns
J8	TCLK low to boundary scan output high-Z	—	25	ns
J9	JTAG-DP/TAP TMS, TDI input data setup time to TCLK rise	8	—	ns
J10	JTAG-DP/TAP TMS, TDI input data hold time after TCLK rise	1	—	ns
J11	TCLK low to JTAG-DP/TAP TDO data valid	—	19	ns
J12	TCLK low to JTAG-DP/TAP TDO high-Z	—	17	ns

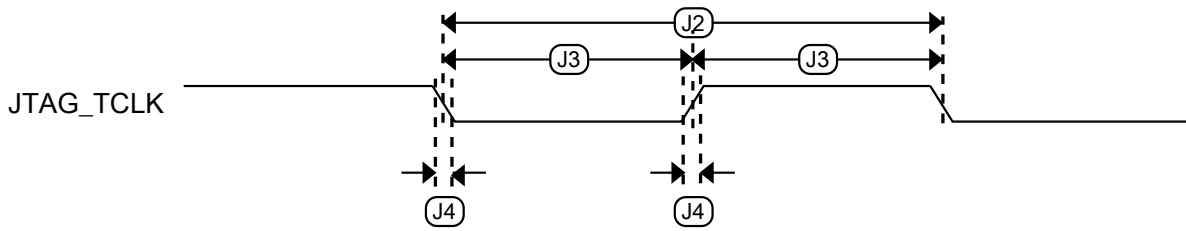


Figure 8. Test clock input timing

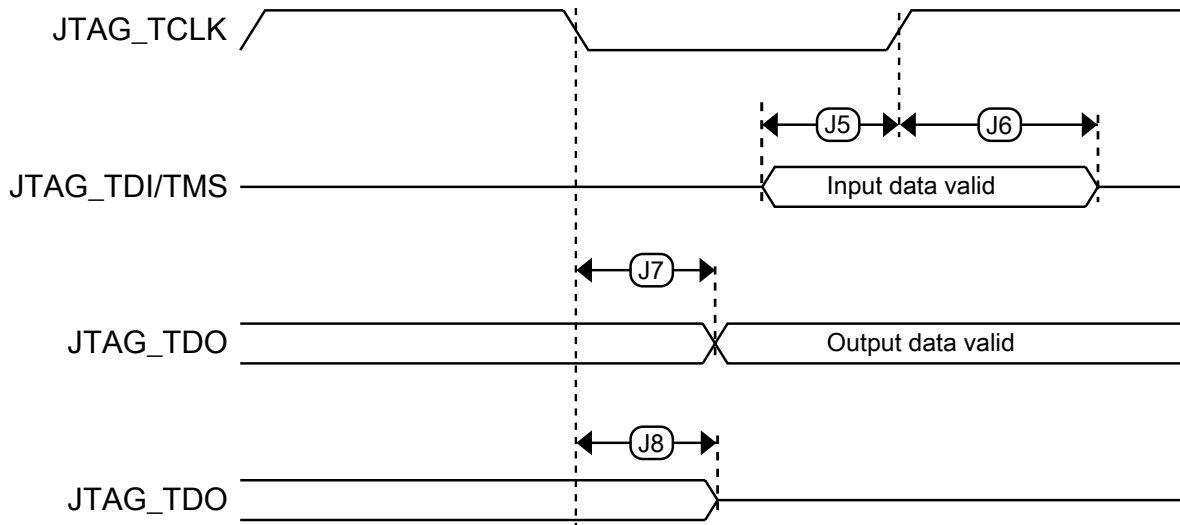


Figure 9. Boundary scan (JTAG) timing

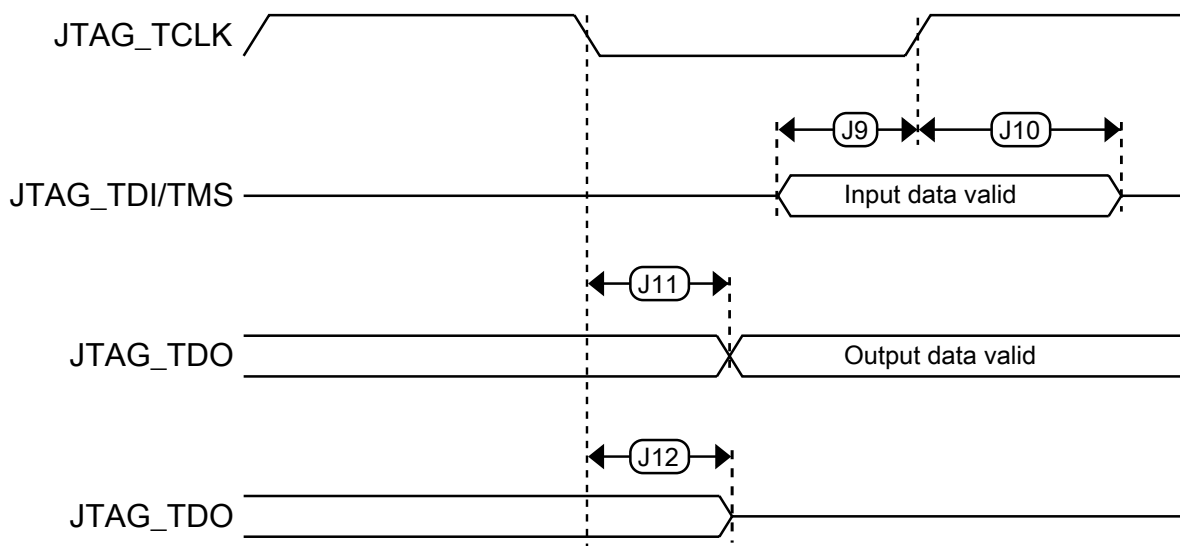
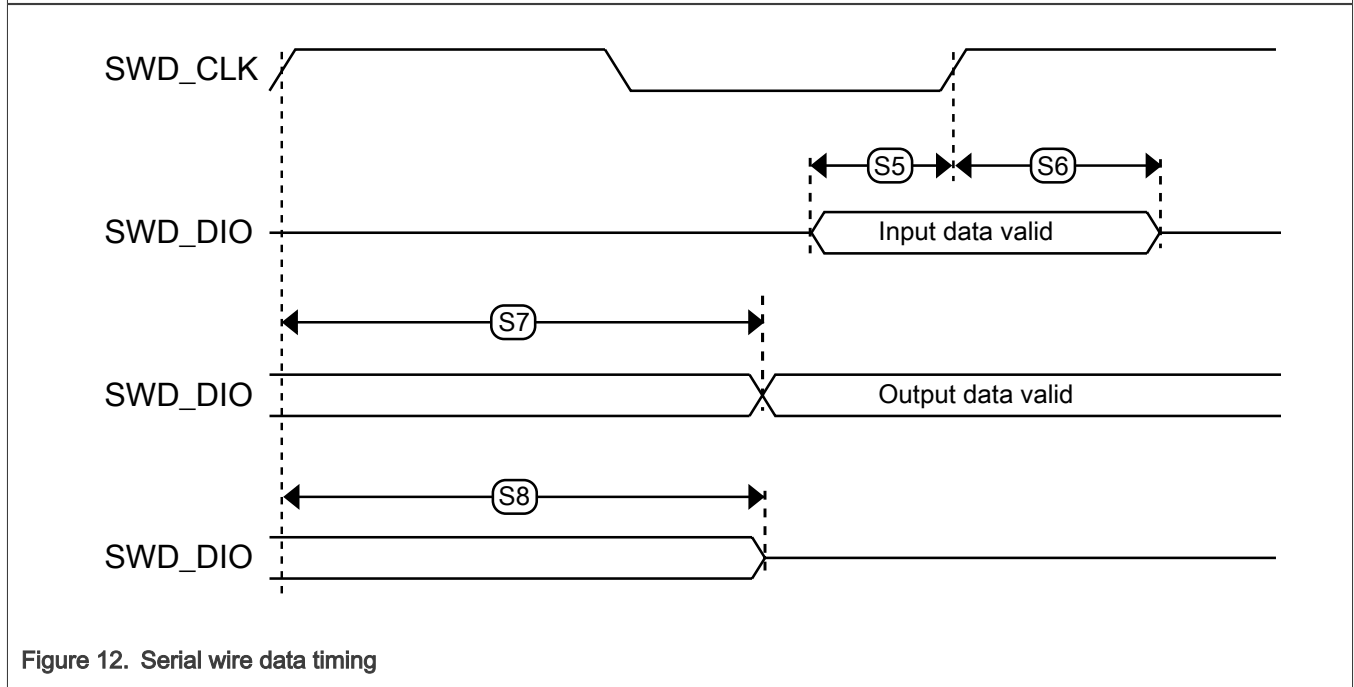
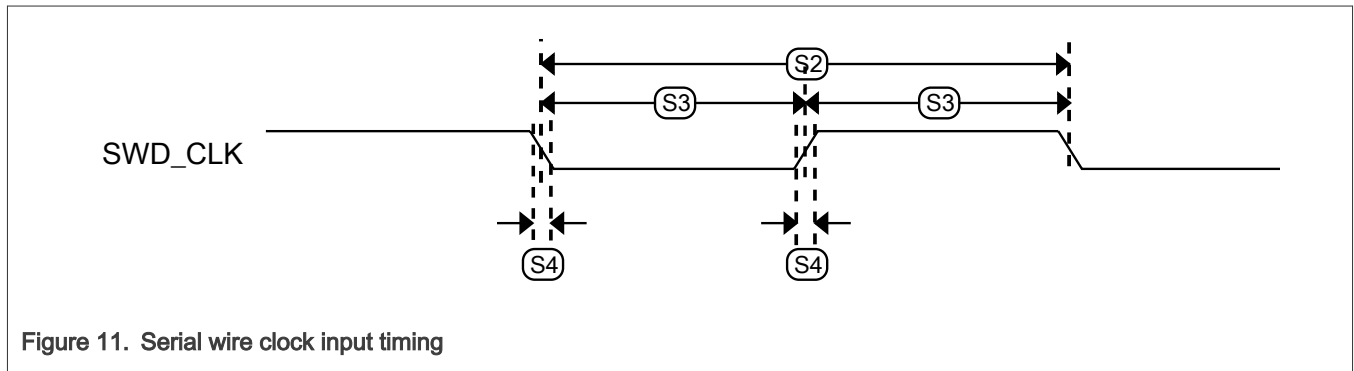


Figure 10. JTAG-DP/TAP timing

4.1.3 SWD electricals

Table 33. SWD timing

Symbol	Description	Min.	Max.	Unit
	Operating voltage	1.71	3.6	V
S1	SWD_CLK frequency of operation	—	25	MHz
S2	SWD_CLK cycle period	1/S1	—	ns
S3	SWD_CLK clock pulse width	20	—	ns
S4	SWD_CLK rise and fall times	—	3	ns
S5	SWD_DIO input data setup time to SWD_CLK rise	10	—	ns
S6	SWD_DIO input data hold time after SWD_CLK rise	0	—	ns
S7	SWD_CLK high to SWD_DIO data valid	—	25	ns
S8	SWD_CLK high to SWD_DIO high-Z	5	—	ns



## 4.2 Clock modules

### 4.2.1 Reference Oscillator Specification

This chip is designed to meet targeted specifications with a  $\pm 40$  ppm frequency error over the life of the part, which includes the temperature, mechanical, and aging excursions.

The table below shows typical specifications for the Crystal Oscillator.

**Table 34. System Crystal Oscillator Specification**

Symbol	Characteristic	Min.	Typ.	Max.	Unit	Notes
$f_{osc}$	Crystal Frequency	16	—	50	MHz	
Tol	Frequency tolerance	—	$\pm 10$	$\pm 40$	ppm	
$Jit_{osc}$	Jitter • Period jitter (RMS)	—	70	—	ps	
$V_{pp}$	Peak-to-peak amplitude of oscillation	—	0.6	—	V	[1]
$f_{ec}$	Externally provided input clock frequency	0	—	50	MHz	[2]
$t_{DC\_EXTAL}$	External clock duty cycle	40	50	60	%	
$V_{ec}$	Externally provided input clock amplitude	Refer to <a href="#">Table 9</a> for $V_{IH}$ and $V_{IL}$ levels				[2]

[1] When a crystal is being used with the oscillator, the EXTAL and XTAL pins should only be connected to required oscillator components and must not be connected to any other devices.

[2] This specification is for an externally supplied clock driven to EXTAL and does not apply to any other clock input.

**Table 35. System Oscillator Crystal Specifications. Refer to [Figure 13](#) for additional details of the crystal parameters**

Freq Crystal (MHz)	$R_m$ (ohms)	$C_p$ (pF)	$C_{load}$ (pF)	$C_m$ (pF)	$L_m$ (mH)	Typical startup ( $\mu s$ ) <sup>[1]</sup>	Typical Current consumption ( $\mu A$ ) <sup>[1]</sup>	Drive level ( $\mu W$ )	
								min	max
16	80	2.00	8.00	0.008	12.37	215	168.3	16	22
16	200	1.00	8.00	0.008	12.37	186	200.4	31	46
24	80	0.80	8.00	0.008	5.50	61.4	219.2	43	59
25	60	3.00	11.0	0.008	5.07	224	245.6	70	93
25	60	2.00	10.0	0.008	5.07	128	232.5	61	80
25	100	1.00	8.00	0.008	5.07	73.6	232.7	62	82
32	60	3.00	9.00	0.008	3.09	233	269.6	71	95
32	60	2.00	8.00	0.008	3.09	116	253.2	59	80
32	100	1.00	8.00	0.008	3.09	52.4	289.3	91	123
40	50	2.00	8.00	0.008	1.98	80.4	296.9	73	99
40	60	3.00	9.00	0.008	1.98	162	333.2	99	135
48	50	2.00	8.00	0.008	1.37	73.1	359.6	104	140
48	60	3.00	9.00	0.008	1.37	155	407.9	138	188

[1] This is based on simulation

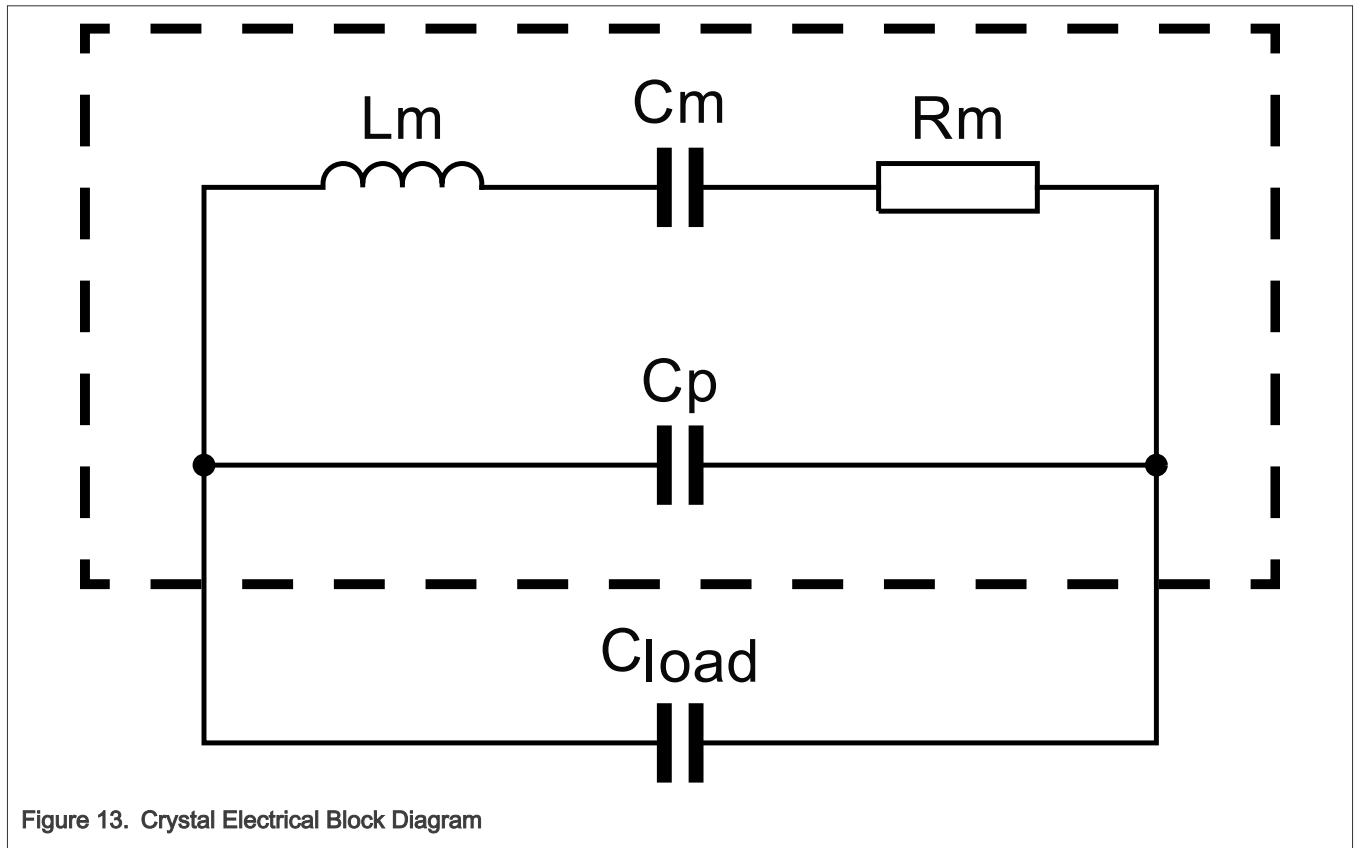


Figure 13. Crystal Electrical Block Diagram

### 4.2.2 32 kHz oscillator electrical specifications

Table 36. 32 kHz oscillator electrical specifications

Symbol	Description	Min.	Typ.	Max.	Unit	Notes
$f_{osc\_32k}$	Crystal frequency	—	32.768	—	kHz	
Tol	Frequency tolerance <ul style="list-style-type: none"> <li>• Normal/Start up mode</li> <li>• Low power mode</li> </ul>	—	±100	—	ppm	[1]
Jit <sub>osc</sub>	Jitter <ul style="list-style-type: none"> <li>• Period jitter (RMS)</li> <li>• Accumulated jitter over 1 ms (RMS)</li> </ul>	—	12000	—	ps	
ESR	Crystal equivalent series resistance <ul style="list-style-type: none"> <li>• Normal mode</li> <li>• Low power mode</li> </ul>	—	—	100 K	kΩ	
R <sub>F</sub>	Internal feedback resistor	—	100	—	MΩ	
C <sub>para</sub>	Parasitic capacitance of EXTAL32 and XTAL32	—	2.5	—	pF	

Table continues on the next page...

Table 36. 32 kHz oscillator electrical specifications...continued

Symbol	Description	Min.	Typ.	Max.	Unit	Notes
$t_{start}$	Crystal start-up time <ul style="list-style-type: none"> <li>Normal/Start up mode</li> <li>Low power mode</li> </ul>	—	1000		ms	[2]
$I_{OSC\_32k}$	Current consumption <ul style="list-style-type: none"> <li>ON mode                             <ul style="list-style-type: none"> <li>Normal mode</li> <li>Low power mode</li> </ul> </li> <li>OFF mode</li> </ul>	—	220	—	nA	
$V_{pp}$	Peak-to-peak amplitude of oscillation <ul style="list-style-type: none"> <li>Normal mode</li> <li>Low power mode</li> </ul>	—	0.2	—	V	[3]
$f_{ec\_extal32}$	Externally provided input clock frequency	—	32.768	—	kHz	[4]
$t_{DC\_EXTAL32}$	External clock duty cycle	40	50	60	kHz	
$V_{ec\_extal32}$	Externally provided input clock amplitude	Refer to <a href="#">Voltage and current operating requirements</a> for $V_{IH}$ and $V_{IL}$ levels			mV	[4], [5]
$C_{extal/xtal}$	On-chip EXTAL, XTAL Load Capacitance	0	—	30	pF	[6],[7]

- [1] For Low power mode, use crystals with load cap (CL) 7 pF or less
- [2] Proper PC board layout procedures must be followed to achieve specifications.
- [3] When a crystal is being used with the 32 kHz oscillator, the EXTAL32 and XTAL32 pins should only be connected to required oscillator components and must not be connected to any other devices.
- [4] This specification is for an externally supplied clock driven to EXTAL32 and does not apply to any other clock input. The oscillator remains enabled and XTAL32 must be left unconnected.
- [5] The parameter specified is a peak-to-peak value and  $V_{IH}$  and  $V_{IL}$  specifications do not apply. The voltage of the applied clock must be within the range of  $V_{SS}$  to  $V_{DD\_BAT}$ .
- [6] These are the internally available oscillator load capacitors on each of the EXTAL32 and XTAL32 pins, selectable in 2 pF steps. The effective load capacitance is the series equivalent of the selected capacitors.
- [7] The internally available load capacitors can be set to minimum of 0 on XTAL and 2 pF on EXTAL and external load capacitors used instead.

Table 37. 32 kHz oscillation gain setting

Coarse_Amp_Gain	Max ESR (kΩ)	Max Cx (pF) [1]	Notes
00 (default)	50	14	
01	70	22	
10	80	22	
11	100	20	

[1] Cx is the sum of all capacitance connected to both EXTAL32 and XTAL, including internal load capacitors, pad capacitance and PCB

**Note:** It is recommended that the oscillator margin be measured on the actual application PCB with the target crystal.

### 4.2.3 Free-running oscillator FRO144M specifications

Table 38. FRO144M specifications

Symbol	Characteristic	Min.	Typ.	Max.	Unit	Notes
$f_{fro144m}$	FRO144M frequency (nominal)	144			MHz	
$\Delta f_{fro144m}$	Frequency deviation					
	• Open loop	—	—	±2	%	
	— -20 °C to 85 °C Tj	—	—	±3	%	
	— -40 °C to 125 °C Tj	—	—	±0.25	%	
$t_{startup}$	Start-up time					
	• Oscillation time with initial accuracy of -20 % to +2 % of enable signal assertion	—	2	—	µs	
	• Oscillation time within +/- 2 % from enable signal assertion	—	20	—	µs	
$f_{os}$	Frequency overshoot during startup	—	—	2	%	
$jit_{per}$	• Period jitter RMS [1]	—	200	—	ps	
	• Accumulated jitter over 1 ms					
$jit_{cyc}$	Cycle to cycle jitter	—	200	—	ps	
$I_{fro144m\_vdd\_sys}$	Current consumption for VDD_SYS	—	70	—	µA	
$I_{fro144m\_vdd\_core}$	Current consumption for VDD_CORE	—	35	—	µA	

[1] Reference clock = 144 MHz.

### 4.2.4 Free-running oscillator FRO12M specifications

Table 39. FRO12M specifications

Symbol	Characteristic	Min.	Typ.	Max.	Unit	Notes
$f_{fro12m}$	FRO12M frequency (nominal)	—	12	—	MHz	
$\Delta f_{fro12m}$	Frequency deviation					
	• open loop	—	—	±3	%	
	• closed loop (using accurate clock source as reference)	—	—	±0.6	%	
$t_{startup}$	Start-up time	—	5	—	µs	
$f_{os}$	Frequency overshoot during startup	—	10	20	%	
$I_{fro12m}$	Current consumption	—	7	—	µA	

### 4.2.5 Free-running oscillator FRO16K specifications

Table 40. FRO16K specifications

Symbol	Characteristic	Min.	Typ.	Max.	Unit	Notes
$f_{fro16k}$	FRO16K frequency (nominal)	—	16.384	—	kHz	
$\Delta f_{fro16k}$	Frequency deviation over $-40\text{ }^{\circ}\text{C}$ to $125\text{ }^{\circ}\text{C}$ • open loop	—	—	$\pm 6$	%	
TRIM <sub>step</sub>	Trimming step	—	1.5	—	%	
$t_{startup}$	Start-up time	—	310	—	$\mu\text{s}$	
$I_{fro16k}$	Current consumption	—	50	—	nA	

### 4.2.6 550 MHz PLL specifications

Table 41. PLL specifications

Symbol	Description	Min	Typ	Max	Units	Notes
fcco	CCO operating frequency	275	—	550	MHz	
I <sub>pll</sub>	PLL operating current @ fcco = 550 MHz and f <sub>out</sub> = 55 MHz	—	484	—	$\mu\text{A}$	
F <sub>ref</sub>	PLL reference frequency range	5	—	150	MHz	
J <sub>pp_period</sub>	Peak-Peak period jitter @ fref = 12 MHz; fcco = 550 MHz • f <sub>vco</sub> = 550 MHz	—	110	—	ps	
J <sub>rms_int</sub>	RMS interval jitter @f <sub>out</sub> = fcco = 550 MHz, fref = 12 MHz	—	14	—	ps	
t <sub>pon</sub>	Start-up time	—	—	500+300/ F <sub>ref</sub>	$\mu\text{s}$	

**Note:** The information in this table applies to both PLL0 (APLL) and PLL1 (SPLL).

## 4.3 Memories and memory interfaces

### 4.3.1 Flash electrical specifications

This section describes the electrical characteristics of the flash memory module.

#### 4.3.1.1 Timing specifications

The following command times assume a flash bus clock frequency of 24 MHz. Command times will be increased by up to 10  $\mu\text{s}$  at 24 MHz if the module is exiting sleep mode when the command is launched. The time to abort a command is not included in the following table.

Table 42. Flash command time specifications

Symbol	Description	Typ.	Max.	Unit	Notes
$t_{rd1all}$	Read 1s All execution time	256 KB	—	1700	$\mu\text{s}$

Table continues on the next page...

Table 42. Flash command time specifications...continued

Symbol	Description		Typ.	Max.	Unit	Notes
		512 KB	—	3200		
		1024 KB	—	6200		
		1536 KB	—	9300		
t <sub>rd1blk</sub>	Read 1s Block execution time	256 KB	—	1500	μs	
		512 KB	—	3050		
		1024 KB	—	6000		
t <sub>rd1scr</sub>	Read 1s Sector execution time	8 KB	—	50	μs	[1]
t <sub>rd1pg</sub>	Read 1s Page execution time	128 B	—	4.4	μs	[1]
t <sub>rd1pglv</sub>	Read 1s Page at low voltage execution time	128 B	—	5.8	μs	[1]
t <sub>rd1phr</sub>	Read 1s Phrase execution time	16 B	—	3.8	μs	[1]
t <sub>rd1phrlv</sub>	Read 1s Phrase at low voltage execution time	16 B	—	4.8	μs	[1]
t <sub>rdmisr</sub>	Read into MISR	8 KB	—	50	μs	[1]
		256 KB	—	1500		
		512 KB	—	3050		
		1024 KB	—	6000		
t <sub>rd1iscr</sub>	Read 1s IFR Sector execution time	8 KB	—	50	μs	[1]
t <sub>rd1ipg</sub>	Read 1s IFR Page execution time	128 B	—	4.4	μs	[1]
t <sub>rd1ipglv</sub>	Read 1s IFR Page at low voltage execution time	128 B	—	5.8	μs	[1]
t <sub>rd1iphr</sub>	Read 1s IFR Phrase execution time	16 B	—	3.8	μs	[1]
t <sub>rd1iphrlv</sub>	Read 1s IFR Phrase at low voltage execution time	16 B	—	4.8	μs	[1]
t <sub>rdimisr</sub>	Read IFR into MISR execution time	8 KB	—	50	μs	[1]
		32 KB	—	190		
t <sub>pgmpg_initial</sub>	Program Page execution time at <1k cycles	128 B	450	600 [2]	μs	[3]
t <sub>pgmpg_lifetime</sub>	Program Page execution time at >1k cycles	128 B	450	750 [2]	μs	[3]
t <sub>pgmphr_initial</sub>	Program Phrase execution time at <1k cycles	16 B	135	180 [2]	μs	[3]
t <sub>pgmphr_lifetime</sub>	Program Phrase execution time at >1k cycles	16 B	135	225 [2]	μs	[3]
t <sub>ersall</sub>	Erase All execution time	256 KB	—	800	ms	

Table continues on the next page...

Table 42. Flash command time specifications...continued

Symbol	Description	Typ.	Max.	Unit	Notes
		—	1500		
		—	2800		
		—	4300		
$t_{ersall}$	Erase All execution time	—	800	ms	
		—	1500		
		—	2800		
$t_{ersscr}$	Erase Sector execution time	2	22	ms	[3]
$t_{masers}$	Mass Erase execution time (via sideband)	—	800	ms	
		—	1500		
		—	2800		
		—	4300		

- [1] Time to abort the command may significantly impact the time to execute the command.
- [2] Characterized but not tested in production
- [3] Measured from the time FSTAT[PERDY] is cleared.

#### 4.3.1.2 Flash high voltage current behavior

Table 43. Flash high voltage current behavior

Symbol	Description	Min.	Typ.	Max.	Unit	Notes
$I_{DD\_IO\_PGM}$	Average current added to VDD_Px during flash programming operation	—	—	6	mA	[1]
$I_{DD\_IO\_ERS}$	Average current added to VDD_Px during flash erase operation	—	—	4	mA	[1]

- [1] See the Power Management chapter in the reference manual for the specific VDD\_Px voltage supply powering the flash array.

#### 4.3.1.3 Flash reliability specifications

Table 44. Flash reliability specifications

Symbol	Description	Min.	Typ. <sup>[1]</sup>	Max.	Unit	Notes
Program Flash						
$t_{nvmp10k}$	Data retention after up to 10 K cycles	10	50	—	years	
$n_{nvmpcscr}$	Sector cycling endurance	10 K	500 K	—	cycles	[2]
$T_{nvmp1k}$	Data retention after up to 1 K cycles	20	100	—	years	
$T_{nvmp100k}$	Data retention after up to 100 K cycles	5	50	—	years	
$N_{nvmpc256k}$	Sector cycling endurance for 256 KB	100 K	500 K	—	cycles	[3]

- [1] Typical data retention values are based on measured response accelerated at high temperature and derated to a constant 25°C use profile.
- [2] Sector cycling endurance represents the number of Program/Erase cycles on a single sector at -40°C ≤ Tj ≤ 125°C.
- [3] For devices with a single flash block, sectors must be located within the last 256 KB of the flash main memory. For devices with two flash blocks, sectors must be located within the last 256 KB of each flash main memory but must not total more than 256 KB per device.

### 4.3.2 FlexSPI specifications

Measurements are with a load of 15pf and an input slew rate of 1 V/ns.

#### 4.3.2.1 FlexSPI input/read timing

There are three sources for the internal sample clock for FlexSPI read data:

- Dummy read strobe generated by FlexSPI controller and looped back internally (FlexSPI<sub>n</sub>\_MCR0[RXCLKSRC] = 0x0)
- Dummy read strobe generated by FlexSPI controller and looped back through the DQS pad (FlexSPI<sub>n</sub>\_MCR0[RXCLKSRC] = 0x1)
- SCK output generated by FlexSPI controller and loopbacked through the SCK pad (FlexSPI<sub>n</sub>\_MCR0[RXCLKSRC] = 0x2)
- Read strobe provided by memory device and input from DQS pad (FlexSPI<sub>n</sub>\_MCR0[RXCLKSRC] = 0x3)

The following sections describe input signal timing for each of these internal sample clock sources.

##### 4.3.2.1.1 SDR mode with FlexSPI<sub>n</sub>\_MCR0[RXCLKSRC] = 0x0 or 0x1 or 0x2

Table 45. FlexSPI input timing in SDR mode where FlexSPI<sub>n</sub>\_MCR0[RXCLKSRC] = 0x0

Symbol	Parameter	Min.	Max.	Unit
	Frequency of operation	—	40	MHz
T <sub>IS</sub>	Setup time for incoming data	17	—	ns
T <sub>IH</sub>	Hold time for incoming data	0	—	ns

Table 46. FlexSPI input timing in SDR mode where FlexSPI<sub>n</sub>\_MCR0[RXCLKSRC] = 0x1 and FlexSPI input timing in SDR mode where FlexSPI<sub>n</sub>\_MCR0[RXCLKSRC] = 0x2

Symbol	Parameter	Min.	Max.	Unit
	Frequency of operation <ul style="list-style-type: none"> <li>• OD mode</li> <li>• SD mode</li> <li>• MD mode</li> </ul>	—	100 75 50	MHz
T <sub>IS</sub>	Setup time for incoming data	2.4	—	ns
T <sub>IH</sub>	Hold time for incoming data	1	—	ns

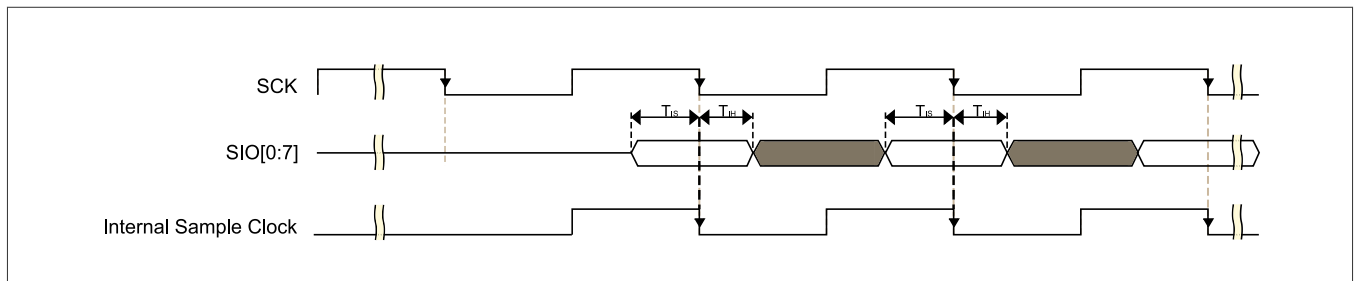


Figure 14. FlexSPI input timing in SDR mode where FlexSPI<sub>n</sub>\_MCR0[RXCLKSRC] = 0x0 or 0x1 or 0x2

**Note:** Timing shown is based on the memory generating read data on the SCK falling edge, and FlexSPI controller sampling read data on the falling edge.

4.3.2.1.2 SDR mode with FlexSPI<sub>n</sub>\_MCR0[RXCLKSRC] = 0x3

There are two cases when the memory provides both read data and the read strobe in SDR mode:

- A1 - Memory generates both read data and read strobe on SCK rising edge (or falling edge)
- A2 - Memory generates read data on SCK falling edge and generates read strobe on SCK rising edge

Table 47. FlexSPI input timing in SDR mode where FlexSPI<sub>n</sub>\_MCR0[RXCLKSRC] = 0x3 (Case A1)

Symbol	Parameter	Min.	Max.	Unit
	Frequency of operation <ul style="list-style-type: none"> <li>• OD mode</li> <li>• SD mode</li> <li>• MD mode</li> </ul>	—	100 75 50	MHz
T <sub>SCKD</sub> – T <sub>SCKDQS</sub>	Time delta between T <sub>SCKD</sub> and T <sub>SCKDQS</sub>	-2	2	ns

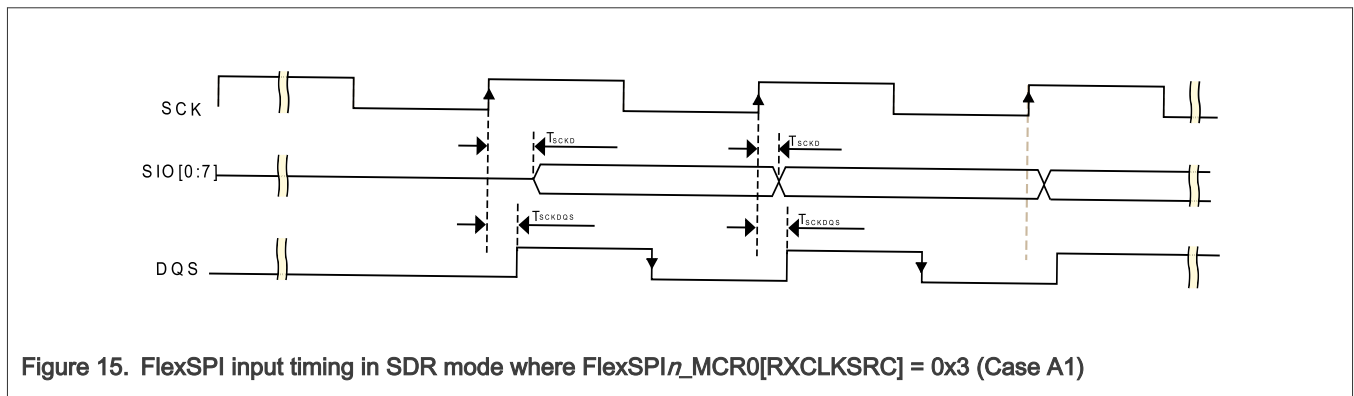


Figure 15. FlexSPI input timing in SDR mode where FlexSPI<sub>n</sub>\_MCR0[RXCLKSRC] = 0x3 (Case A1)

**Note:** Timing shown is based on the memory generating read data and read strobe on the SCK rising edge. The FlexSPI controller samples read data on the DQS falling edge.

Table 48. FlexSPI input timing in SDR mode where FlexSPI<sub>n</sub>\_MCR0[RXCLKSRC] = 0x3 (Case A2)

Symbol	Parameter	Min.	Max.	Unit
	Frequency of operation <ul style="list-style-type: none"> <li>• OD mode</li> <li>• SD mode</li> <li>• MD mode</li> </ul>	—	100 75 50	MHz
T <sub>SCKD</sub> – T <sub>SCKDQS</sub>	Time delta between T <sub>SCKD</sub> and T <sub>SCKDQS</sub>	-2	2	ns

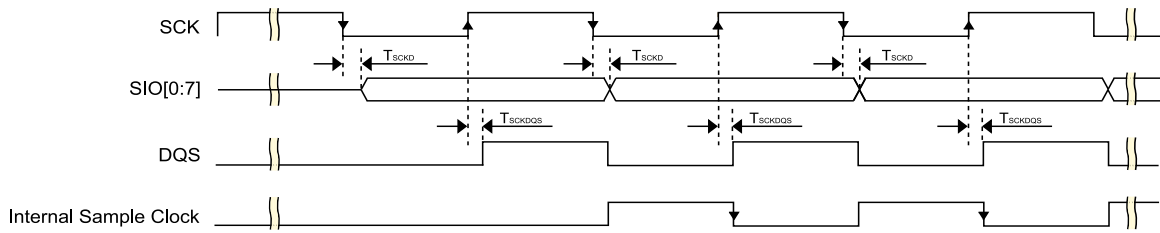


Figure 16. FlexSPI input timing in SDR mode where FlexSPI<sub>n</sub>\_MCR0[RXCLKSRC] = 0x3 (Case A2)

**Note:** Timing shown is based on the memory generating read data on the SCK falling edge and read strobe on the SCK rising edge. The FlexSPI controller samples read data on a half-cycle delayed DQS falling edge.

4.3.2.1.3 DDR mode with FlexSPI<sub>n</sub>\_MCR0[RXCLKSRC] = 0x0 or 0x1 or 0x2

Table 49. FlexSPI input timing in DDR mode where FlexSPI<sub>n</sub>\_MCR0[RXCLKSRC] = 0x0

Symbol	Parameter	Min.	Max.	Unit
	Frequency of operation	—	20	MHz
T <sub>IS</sub>	Setup time for incoming data	17	—	ns
T <sub>IH</sub>	Hold time for incoming data	0	—	ns

Table 50. FlexSPI input timing in DDR mode where FlexSPI<sub>n</sub>\_MCR0[RXCLKSRC] = 0x1 and FlexSPI input timing in DDR mode where FlexSPI<sub>n</sub>\_MCR0[RXCLKSRC] = 0x2

Symbol	Parameter	Min	Max	Unit
	Frequency of operation	—	75	MHz
	• OD mode		50	
	• SD mode		25	
	• MD mode			
T <sub>IS</sub>	Setup time for incoming data	2.27	—	ns
T <sub>IH</sub>	Hold time for incoming data	1	—	ns

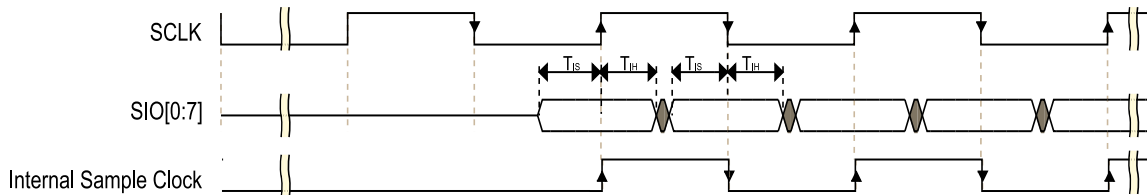


Figure 17. FlexSPI input timing in DDR mode where FlexSPI<sub>n</sub>\_MCR0[RXCLKSRC] = 0x0, 0x1, 0x2

4.3.2.1.4 DDR mode with FlexSPI<sub>n</sub>\_MCR0[RXCLKSRC] = 0x3

There are two cases when the memory provides both read data and the read strobe in DDR mode:

- B1—Memory generates both read data and read strobe on SCK edges
- B2—Memory generates read data on SCK edges and generates read strobe on SCK2 edges

Table 51. FlexSPI input timing in DDR mode where FlexSPI<sub>n</sub>\_MCR0[RXCLKSRC] = 0x3 (case B1)

Symbol	Parameter	Min.	Max.	Unit
	Frequency of operation <ul style="list-style-type: none"> <li>• OD mode</li> <li>• SD mode</li> <li>• MD mode</li> </ul>	—	75 50 25	MHz
T <sub>SCKD</sub> - T <sub>SCKDQS</sub>	Time delta between T <sub>SCKD</sub> and T <sub>SCKDQS</sub>	-1	1	ns

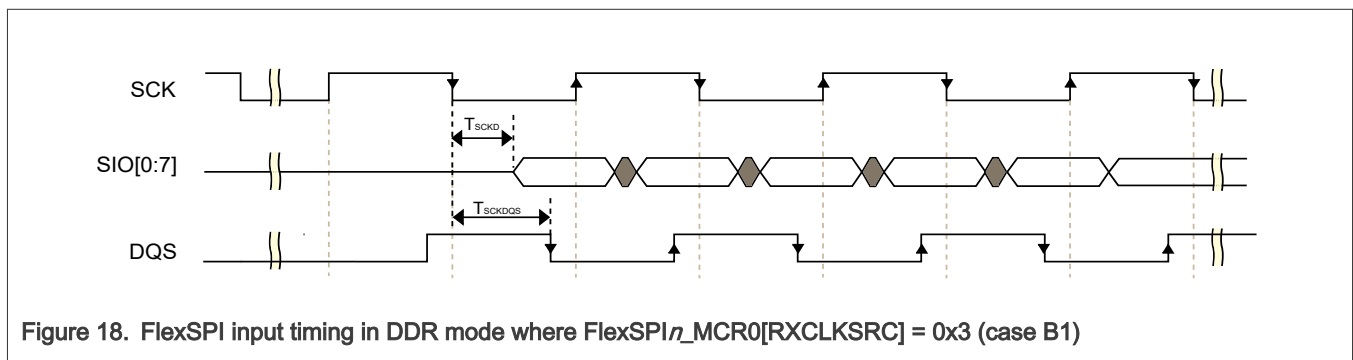


Figure 18. FlexSPI input timing in DDR mode where FlexSPI<sub>n</sub>\_MCR0[RXCLKSRC] = 0x3 (case B1)

Table 52. FlexSPI input timing in DDR mode where FlexSPI<sub>n</sub>\_MCR0[RXCLKSRC] = 0x3 (case B2)

Symbol	Parameter	Min.	Max.	Unit
	Frequency of operation <ul style="list-style-type: none"> <li>• OD mode</li> <li>• SD mode</li> <li>• MD mode</li> </ul>	—	75 50 25	MHz
T <sub>SCKD</sub> - T <sub>SCKDQS</sub>	Time delta between T <sub>SCKD</sub> and T <sub>SCKDQS</sub>	-1	1	ns

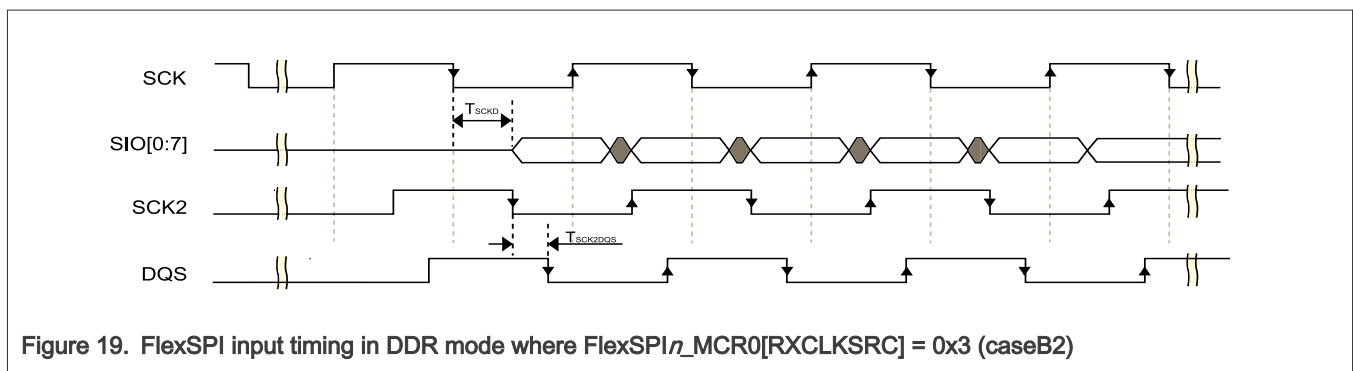


Figure 19. FlexSPI input timing in DDR mode where FlexSPI<sub>n</sub>\_MCR0[RXCLKSRC] = 0x3 (case B2)

### 4.3.2.2 FlexSPI output/write timing

The following sections describe output signal timing for the FlexSPI controller including control signals and data outputs.

4.3.2.2.1 SDR mode

Table 53. FlexSPI output timing in SDR mode

Symbol	Parameter	Min.	Max.	Unit
	Frequency of operation <ul style="list-style-type: none"> <li>• OD mode</li> <li>• SD mode</li> <li>• MD mode</li> </ul>	—	100 75 50 [1]	MHz
$T_{CK}$	SCK clock period	6.0	—	ns
$T_{DVO}$	Output data valid time	—	3	ns
$T_{DHO}$	Output data hold time	2	—	ns
$T_{CSS}$	Chip select output setup time	$3 \times T_{CK} - 1$	—	ns
$T_{CSH}$	Chip select output hold time	$3 \times T_{CK} + 2$	—	ns

[1] The actual maximum frequency supported is limited by the FlexSPI $_n$ \_MCR0[RXCLKSRC] configuration used. Please refer to the FlexSPI SDR input timing specifications.

**Note:**  $T_{CSS}$  and  $T_{CSH}$  are configured by the FlexSPI $_n$ \_FLSHAxCR1 register, the default values are shown above. Refer to the Reference Manual for more details.

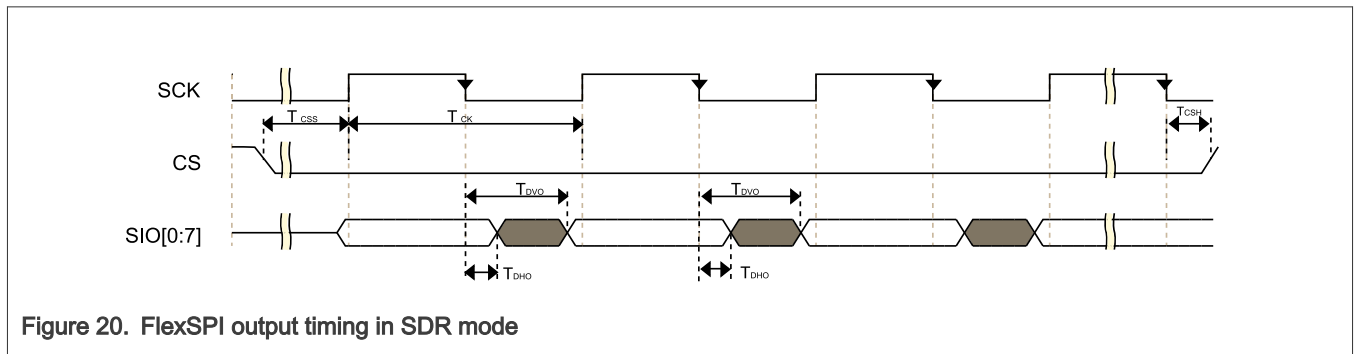


Figure 20. FlexSPI output timing in SDR mode

4.3.2.2.2 DDR mode

Table 54. FlexSPI output timing in DDR mode

Symbol	Parameter	Min.	Max.	Unit
	Frequency of operation <sup>[1]</sup> <ul style="list-style-type: none"> <li>• OD mode</li> <li>• SD mode</li> <li>• MD mode</li> </ul>	—	75 50 25	MHz
$T_{CK}$	SCK clock period (FlexSPI $_n$ _MCR0[RXCLKSRC] = 0x0)	6.0	—	ns
$T_{DVO}$	Output data valid time	—	1.7	ns
$T_{DHO}$	Output data hold time	0.8	—	ns
$T_{CSS}$	Chip select output setup time	$3 \times T_{CK}/2 - 0.7$	—	ns
$T_{CSH}$	Chip select output hold time	$3 \times T_{CK}/2 + 0.8$	—	ns

[1] The actual maximum frequency supported is limited by the FlexSPI<sub>n</sub>\_MCR0[RXCLKSRC] configuration used. Please refer to the FlexSPI DDR input timing specifications.

**Note:**  $T_{CSS}$  and  $T_{CSH}$  are configured by the FlexSPI<sub>n</sub>\_FLSHAxCR1 register, the default values are shown above. Refer to the Reference Manual for more details.

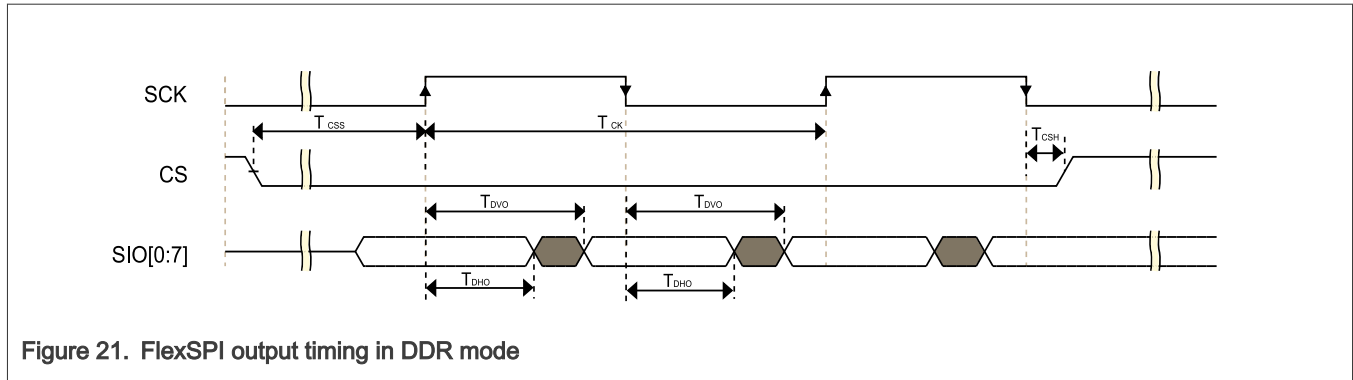


Figure 21. FlexSPI output timing in DDR mode

### 4.3.2.3 eFuse specifications

Table 55. Fusebox electrical specifications

Symbol	Description	Min.	Typ.	Max.	Unit	Notes
V <sub>SYS_PROG</sub>	VDD_SYS Voltage for fuse programming	2.25	2.5	2.75	V	[1]
I <sub>SYS_PROG</sub>	Fuse programming current	—	—	40	mA	[2]
T <sub>PROG</sub>	Fuse programming time	—	10	11	µs	[3]

[1] VDD\_SYS ramp-up slew rate MUST be slower than 2.5V/100 µs to avoid unintentional program  
 [2] This is the current required to program just the fuse and is in addition to any other current being drawn by the device.  
 [3] The maximum total accumulated time for elevated VDD\_SYS (VDD\_SYS > 1.98V) is 20 seconds over the lifetime of the device.

## 4.4 Analog

### 4.4.1 ADC electrical specifications

#### 4.4.1.1 ADC operating conditions

Table 56. ADC operating conditions

Symbol	Description	Min.	Typ. <sup>[1]</sup>	Max.	Unit	Notes
V <sub>ANA</sub>	Supply voltage	1.71		3.6	V	
ΔVDD		-0.1	0	0.1	mV	[2]
ΔVSS		-0.1	0	0.1	mV	[2]
V <sub>REFH</sub>	ADC reference voltage high	0.99		VDD_ANA	V	
V <sub>REFL</sub>	ADC reference voltage low	VSSA		VSSA	V	[3]
V <sub>ADIN</sub>	Input Voltage	VREFL		VREFH	V	[3],[4],[5]
f <sub>ADCK</sub>	ADC Input clock frequency					
	Low-power mode (PWRSEL=00)	6		24	MHz	

Table continues on the next page...

Table 56. ADC operating conditions...continued

Symbol	Description	Min.	Typ. <sup>[1]</sup>	Max.	Unit	Notes
	High-speed 16b mode (PWRSEL==10)	6		48	MHz	
	High-speed 12b mode (PWRSEL==10)	6		60	MHz	
C <sub>ADIN</sub>	Input Capacitance		3.7	4.63	pF	
C <sub>P</sub>	Parasitic Capacitance of pad/package		2	3	pF	
R <sub>AS</sub>	Analog source resistance (external)			5	kΩ	[6]
R <sub>ADIN</sub>	High-Speed Dedicated Input				kΩ	[7],[8]
	VDDAD ≥ 1.71 V		0.95	1.7	kΩ	
	VDDAD ≥ 2.1 V			1.575	kΩ	
	VDDAD ≥ 2.5 V			1.4	kΩ	
	Standard Dedicated Input				kΩ	
	VDDAD ≥ 1.71 V		1.35	3.25	kΩ	
	VDDAD ≥ 2.1 V			2.14	kΩ	
	VDDAD ≥ 2.5 V			1.75	kΩ	
	Standard Muxed Input				kΩ	
	VDDAD ≥ 1.71 V		1.65	7.25	kΩ	
	VDDAD ≥ 2.1 V			3.05	kΩ	
	VDDAD ≥ 2.5 V			2.35	kΩ	

- [1] Typical values assume V<sub>DD\_ANA</sub> = 3.0 V, Temp = 25 °C, f<sub>ADCK</sub> = 24 MHz, unless otherwise stated. Typical values are for reference only, and are not tested in production.
- [2] DC potential difference
- [3] For devices that do not have a dedicated VREFL and VSS\_ANA pins, VREFL and VSS\_ANA are tied to VSS internally.
- [4] If V<sub>REFH</sub> is less than V<sub>DD\_ANA</sub>, then voltage inputs greater than V<sub>REFH</sub> but less than V<sub>DD\_ANA</sub> are allowed but result in a full-scale conversion result
- [5] ADC selected inputs and unselected dedicated inputs must not exceed V<sub>DD\_ANA</sub> during an ADC conversion. Unselected muxed inputs may exceed V<sub>DD\_ANA</sub> but must not exceed the IO supply associated with the inputs (VDD\_Px) when a conversion is in progress. If an ADC input may exceed these levels, then a minimum of 1 K series resistance must be used between the source and the ADC input pin.
- [6] This resistance is external to MCU. To achieve the best results, the analog source resistance must be kept as low as possible.
- [7] There are several types of ADC inputs. To see which channels correspond to which type of ADC inputs, see ADC input connections in reference manual
- [8] If the input come through a mux in the IO pad, add the IO Mux Resistance Adder value to the resistance for the channel type

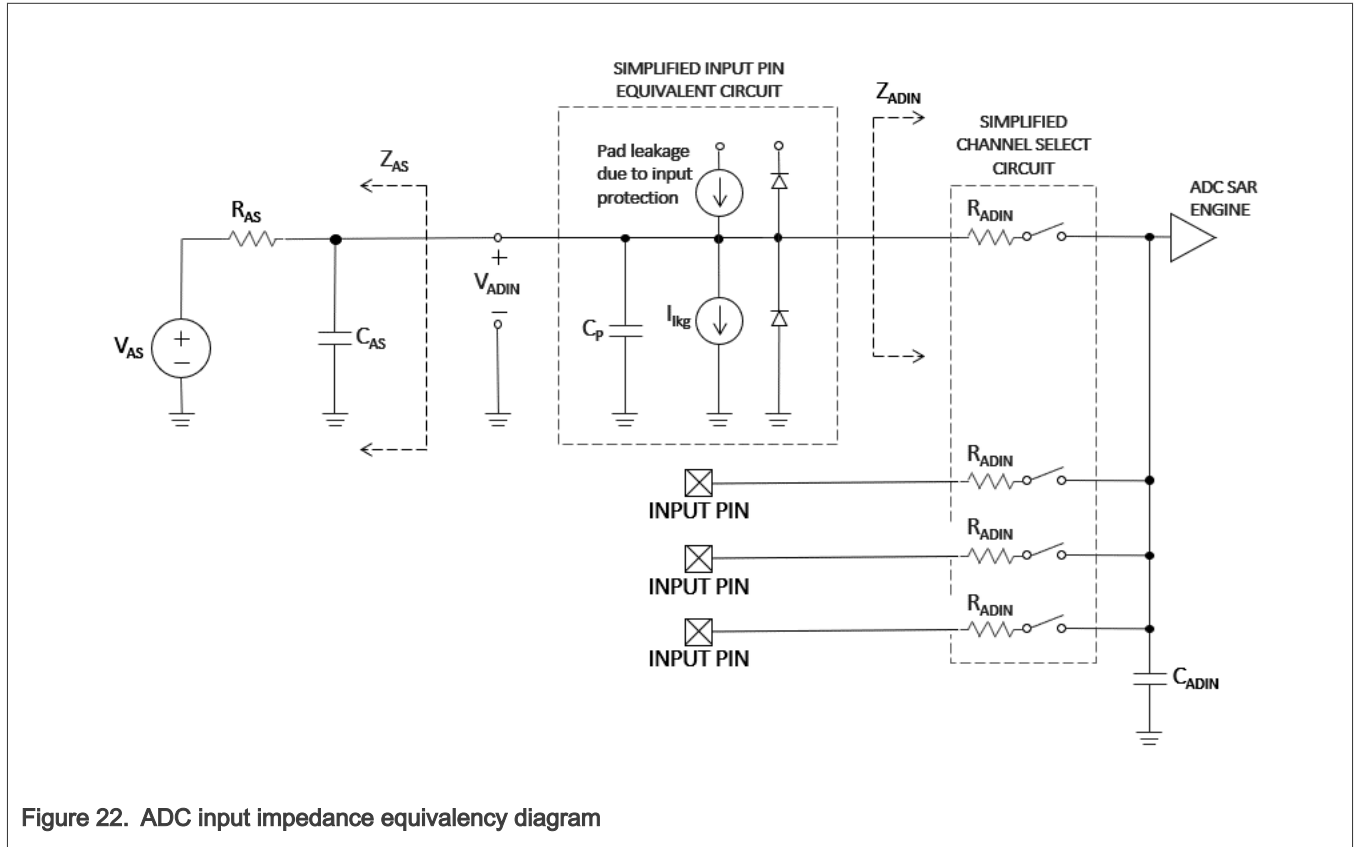


Figure 22. ADC input impedance equivalency diagram

4.4.1.2 ADC electrical characteristics

Table 57. ADC electrical specifications

Symbol	Description	Min.	Typ. <sup>[1]</sup>	Max.	Unit	Notes
I <sub>DDA</sub>	Supply current					[2]
	PWREN=0, Conversions triggered at 1 kS/s		2.2		µA	
	PWREN=1, No Conversions		160		µA	
	Low-power, single-ended mode, 6 MHz		295	390	µA	
	Low-power, differential, or dual-SE mode, 6 MHz		410	550	µA	
	Low-power, single-ended mode, 24 MHz		380	520	µA	
	Low-power, differential, or dual-SE mode, 24 MHz		500	690	µA	
	High-speed, single-ended mode, 48 MHz		730	960	µA	
	High-speed, differential, or dual-SE mode, 48 MHz		1150	1490	µA	
I <sub>TS</sub>	Temp Sensor Current Adder		40	50	µA	
C <sub>SMP</sub>	ADC Sample cycles	3.5		131.5	cycles	[3]

Table continues on the next page...

Table 57. ADC electrical specifications ...continued

Symbol	Description	Min.	Typ. <sup>[1]</sup>	Max.	Unit	Notes
C_CONV	ADC conversion cycles					
	16-bit	24		152	cycles	
	12-bit	19		147	cycles	
C_RATE	ADC conversion rate					[4]
	Low-power mode			0.857	MS/s	
	High-speed 12b mode			3.15	MS/s	
	High-speed 16b mode			2.0	MS/s	
T_SMP_REQ	Required Sample Time	See equation			ns	[5]
T_AZ_REQ	Required Auto-Zero time					[5]
	Low-power mode	291.7			ns	
	High-speed 12b mode	59.3			ns	
	High-speed 16b mode	72.9			ns	
T_SMP	External inputs	See equation			ns	[5]
T_SMP_INT	Internal inputs	1.5			μs	[6]
DNL	Differential non-linearity			±1	LSB <sup>[7]</sup>	[8]
INL	Integral non-linearity			±3	LSB <sup>[7]</sup>	[8]
Z_SE	Zero-scale error (V_ADIN = V_REFL)			±2	LSB <sup>[7]</sup>	[8]
F_SE	Full-scale error (V_ADIN = V_REFH)			±5	LSB <sup>[7]</sup>	[8]
TUE	Total Unadjusted Error			±7	LSB <sup>[7]</sup>	[8]
ENOB	Differential Effective number of bits					[8], [9]
	1 MS/s (AVGS=001)		13.5		bits	
	2 MS/s		13.0		bits	
	3.15 MS/s (for 12-bit mode)		11.3		bits	
	Single-ended Effective number of bits					
	1 MS/s (AVGS=001)		13.0		bits	
	2 MS/s		12.5		bits	
	3.15 MS/s (for 12-bit mode)		11.0		bits	
SINAD	Differential Signal-to-noise plus distortion					[8], [9]
	1 MS/s (AVGS=001)		83		dB	
	2 MS/s		80		dB	
	3.15 MS/s (for 12-bit mode)		70		dB	

Table continues on the next page...

Table 57. ADC electrical specifications ...continued

Symbol	Description	Min.	Typ. <sup>[1]</sup>	Max.	Unit	Notes
	Single-ended Signal-to-noise plus distortion					
	1 MS/s (AVGS=001)		80		dB	
	2 MS/s		77		dB	
	3.15 MS/s (for 12-bit mode)		68		dB	
THD	Total Harmonic distortion		95		dB	[8],[9]
SFDR	Spurious free dynamic range		96		dB	[8],[9]
t <sub>ADCSTUP</sub>	ADC/VREF start-up time	5			µs	[10]
E_IL	Input leakage error		llkg		mV	[11].
E_TS	Temperature sensor error					[12]
	T=-40 to 105 °C		1	3	°C	
	T=-40 to 125 °C		1.5	4	°C	
A	Slope Factor Constant	-	771	-		
B	Offset Constant	-	302	-		
α	Bandgap constant	-	10.06	-		

- [1] Typical values assume V<sub>DD\_ANA</sub> = 3.3 V, Temp = 25 °C, f<sub>ADCK</sub> = 24 MHz unless otherwise stated. Typical values are for reference only and are not tested in production.
- [2] The ADC supply current depends on the ADC conversion clock speed, conversion rate, and power mode. Typical value show is at 6 MHz, 24 MHz, and 48 MHz. For lowest power operation, PWRSEL should be set to 00.
- [3] Must meet minimum TSMP requirement
- [4] Maximum conversion rate for high-speed mode is with F<sub>ADCK</sub> = 48 MHz. Maximum conversion rate for low-power mode is F<sub>ADCK</sub> = 24 MHz and 7.5 sample cycles (to meet the minimum auto-zero time requirement)
- [5] Required sample time is dictated by external components R<sub>AS</sub>, C<sub>AS</sub>, internal components R<sub>ADIN</sub>, C<sub>ADIN</sub>, C<sub>P</sub>, and desired sample accuracy in bits(B). Calculate it with formula: T<sub>SMP\_REQ</sub> = B\*0.693\*[R<sub>AS</sub>\*(C<sub>AS</sub>+C<sub>P</sub>+C<sub>ADIN</sub>)+ (R<sub>AS</sub> + R<sub>ADIN</sub>)\* C<sub>ADIN</sub>]. Required auto-zero time is for ADC comparator offset cancellation. The chosen sample time should be no less than maximum of the two: T<sub>SMP</sub> = max(T<sub>SMP\_REQ</sub>, T<sub>AZ\_REQ</sub>)
- [6] Internal channel inputs are those that do not come from external source (temperature sensor, bandgap).
- [7] 1 LSB = (V<sub>REFH</sub> - V<sub>REFL</sub>)/2<sup>N</sup> (N=14 bits), for 16- bit specifications, multiply by 4.
- [8] All accuracy numbers assume that the ADC is calibrated with V<sub>REFH</sub>=V<sub>DD\_ANA</sub> and using a high- speed- dedicated input channel.
- [9] Dynamic results assume F<sub>in</sub>=1 kHz sinewave, no averaging.
- [10] Set the power-up delay (PUDLY) according to the ADC start-up time if PWREN=0.
- [11] I<sub>lkg</sub> = leakage current (Refer to pin leakage specification in the voltage and current operating ratings of packaged device)
- [12] The temperature sensor can be calibrated to a +/- 0.5 % precision after board assembly by using a 3-temperature calibration flow with accurate ± 0.15 % temperature chamber.

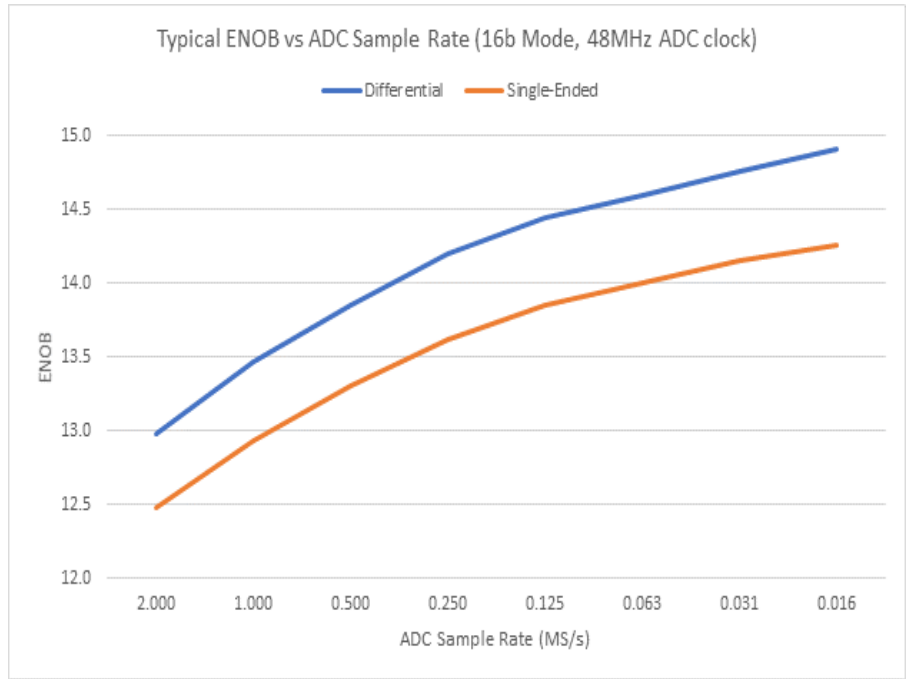


Figure 23. ENOB VS ADC clock graph

#### 4.4.2 12-bit DAC electrical characteristics

##### 4.4.2.1 12-bit DAC operating requirements

Table 58. 12-bit DAC operating requirements

Symbol	Description	Min.	Typ.	Max.	Unit	Notes
VDD_ANA	Supply voltage	1.71	—	3.6	V	
V <sub>DACR</sub>	Reference voltage	0.97	—	VDD_ANA	V	[1]
C <sub>L</sub>	Output load capacitance	—	50	100	pF	[2]
I <sub>L</sub>	Output load current	-1	—	1	mA	[3]
DAC_c_rate	DAC conversion rate	—	—	1	MSPS	

[1] The DAC reference can be selected to be VDD\_ANA or VREFH or VREFO PAD, keep VDD\_ANA be the highest voltage.  
 [2] A small load capacitance (50 pF) can improve the bandwidth performance of the DAC.  
 [3] Sink or source current availability

##### 4.4.2.2 12-bit DAC operating behaviors

Table 59. 12-bit DAC operating behaviors

Symbol	Description	Min.	Typ.	Max.	Unit	Notes
I <sub>DD_DAC</sub>	Supply current • Normal mode	—	300	500	μA	
		—	100	150	μA	

Table continues on the next page...

Table 59. 12-bit DAC operating behaviors...continued

Symbol	Description	Min.	Typ.	Max.	Unit	Notes
	<ul style="list-style-type: none"> <li>Low-power mode</li> <li>Disabled</li> </ul>	—	10	—	nA	
$t_{DAC}$	Full-scale settling time (0x100 to 0xF00) <ul style="list-style-type: none"> <li>Normal mode</li> <li>Low-power mode</li> </ul>	—	2.5	3	$\mu$ s	[1]
$t_{CCDAC}$	Code-to-code settling time (0xBF8 to 0xC08)	—	0.7	1.0	$\mu$ s	[1]
$V_{dacoutl}$	DAC output voltage range low — high-speed mode, no load, DAC set to 0x000	—	—	100	mV	
$V_{dacouth}$	DAC output voltage range high — high-speed mode, no load, DAC set to 0xFFFF	$V_{DACR}-100$	—	$V_{DACR}$	mV	
INL	Integral non-linearity error	—	—	$\pm 3$	LSB	[2]
DNL	Differential non-linearity error	—	—	$\pm 1$	LSB	[3]
$E_{OFFSET}$	Offset error	—	$\pm 0.4$	$\pm 0.8$	%FSR	[4]
$E_G$	Gain error <ul style="list-style-type: none"> <li><math>V_{DACR} &lt; 2.1</math> V</li> <li><math>V_{DACR} &gt; 2.1</math> V</li> </ul>	—	$\pm 0.3$	$\pm 0.6$	%FSR	[4]
PSRR	Power supply rejection ratio, $V_{DD\_ANA} \geq 2.4$ V	—	70	—	dB	
$T_{CO}$	Temperature coefficient offset voltage at middle scale	—	$\pm 30$	—	$\mu$ V/C	[5]
$T_{EO}$	Temperature coefficient offset error	—	30	—	$\mu$ V/C	
$T_{GE}$	Temperature coefficient gain error	—	10	—	PPM/C	
$R_{op}$	Output resistance (load = 10 k $\Omega$ )	—	200	—	$\Omega$	
SR	Slew rate 100 h ->F00 h or F00 h ->100 h <ul style="list-style-type: none"> <li>Normal mode</li> <li>Low-power mode</li> </ul>	—	3.6	—	V/ $\mu$ s	
CT	DAC to DAC crosstalk	—	—	-80	dB	[6]
TPU	Power-up time	—	2.5	—	$\mu$ s	

[1] Settling within  $\pm 1$  LSB measured with a 47 pF load.

[2] The INL is measured for 0 + 100 mV to  $V_{DACR} - 100$  mV

[3] The DNL is measured for 0 + 100 mV to  $V_{DACR} - 100$  mV

[4] Calculated by a best fit curve from  $V_{SS\_ANA} + 100$  mV to  $V_{DACR} - 100$  mV

[5]  $V_{DD\_ANA} = 3.0$  V, reference select set for  $V_{DD\_ANA}$  ( $DACx\_CO:DACRFS = 1$ ), high- power mode ( $DACx\_CO:LPEN = 0$ ), DAC set to 0x800, temperature range is across the full range of the device.

[6] If two DACs are used and share same VREFH

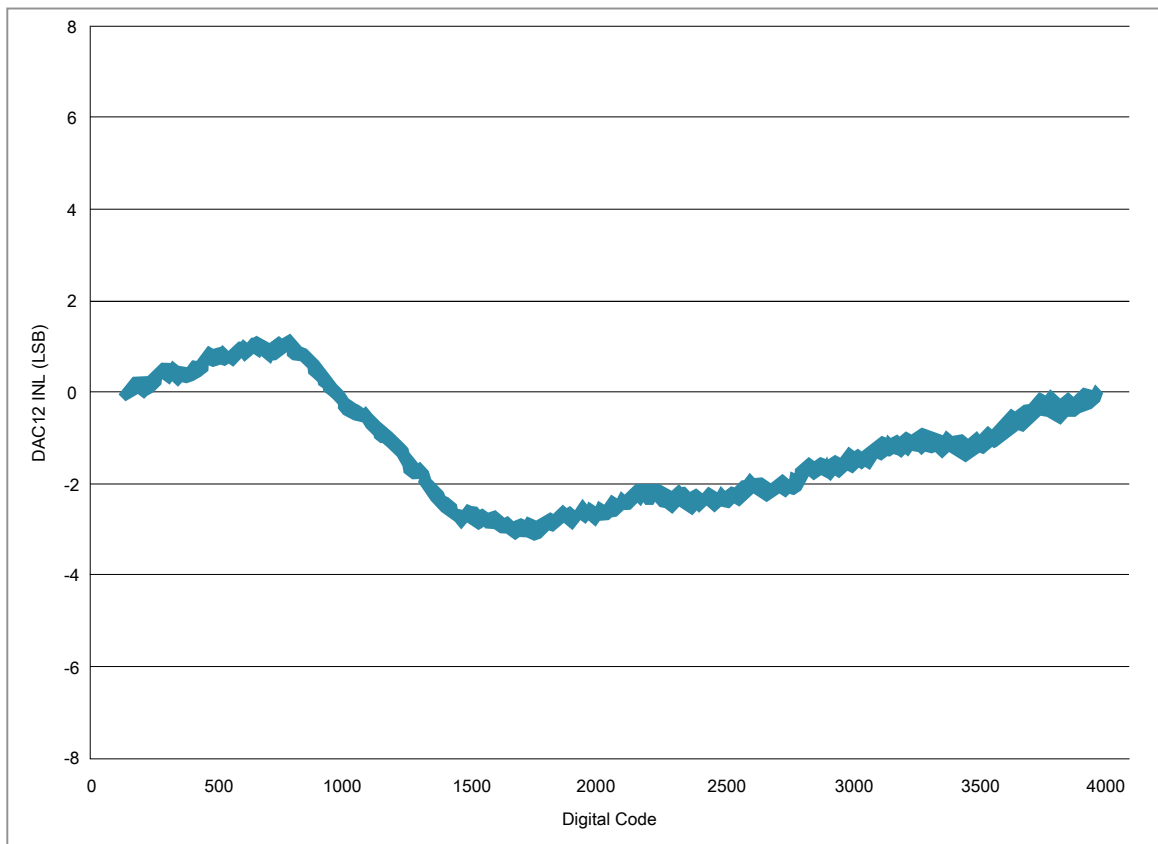


Figure 24. Typical INL error vs. digital code

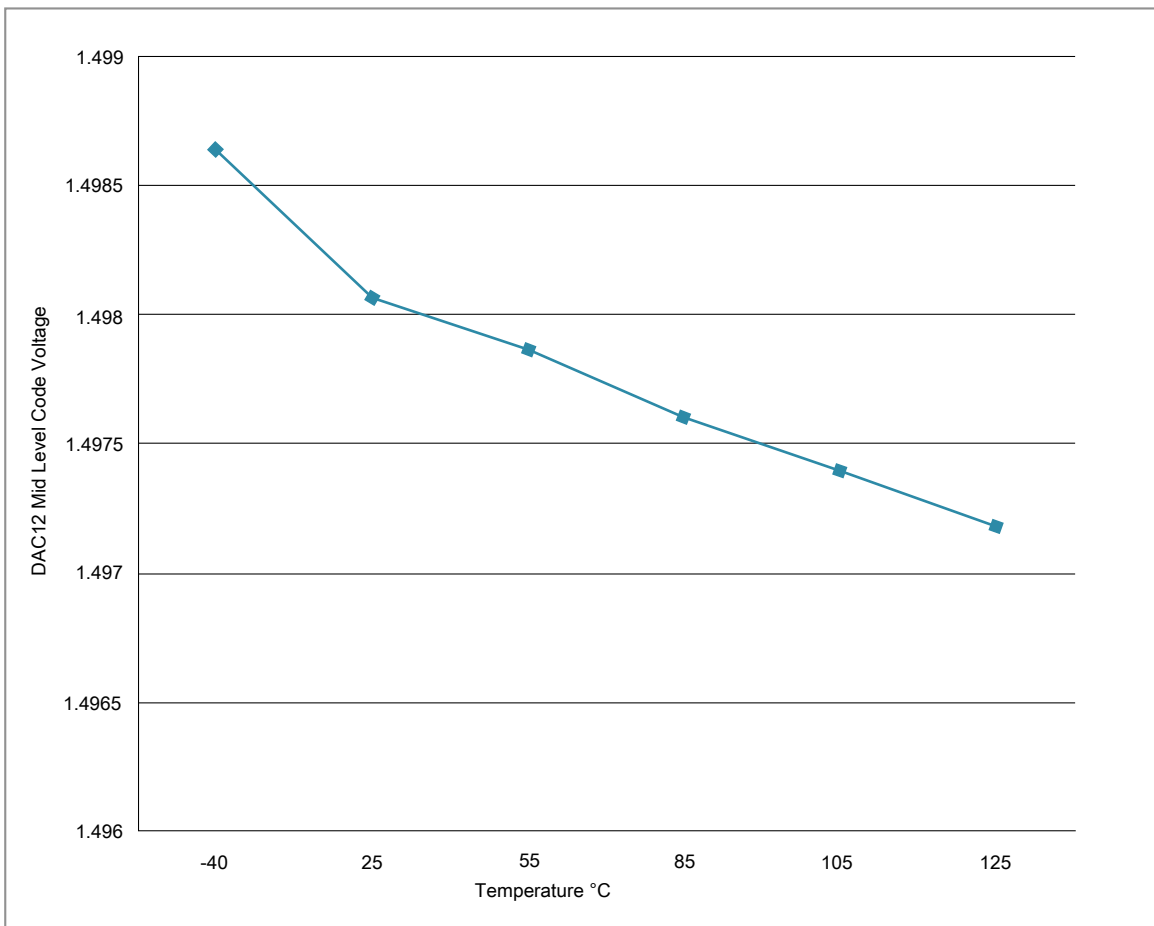


Figure 25. Offset at half scale vs. temperature

### 4.4.3 14-bit DAC electrical characteristics

#### 4.4.3.1 14-bit DAC operating requirements

Table 60. 14-bit DAC operating requirements

Symbol	Description	Min.	Typ.	Max.	Unit	Notes
VDD_ANA	Supply voltage	1.71	—	3.6	V	
V <sub>DACR</sub>	Hook to VDD_ANA pad	1.71	—	VDD_ANA	V	
T <sub>A</sub>	Temperature	-40	—	135	°C	
C <sub>L</sub>	Output load capacitance	—	50	100	pF	[1]
I <sub>L</sub>	Output load current	-3.6	—	3.6	mA	[2]

[1] A small load capacitance (50 pF) can improve the bandwidth performance of the DAC.

[2] Sink or source current availability

4.4.3.2 14-bit DAC operating behaviors

Table 61. 14-bit DAC operating behaviors

Symbol	Description	Min.	Typ.	Max.	Unit	Notes
I <sub>DDA_DIS</sub>	Supply current • Disable mode	—	30		nA	
I <sub>DDA</sub>	Supply current • Run mode	—	2	2.8	mA	[1]
V <sub>DACOUTL</sub>	DAC low level output voltage	V <sub>SSA</sub>	—	0.15	V	
V <sub>DACOUTH</sub>	DAC high level output voltage	V <sub>DD_ANA</sub> - 0.15	—	V <sub>DD_A</sub> NA	V	
DNL	Differential non-linearity error	—	±0.5	±4	LSB	
INL	Integral non-linearity error	—	±4	±8	LSB	
E <sub>O</sub>	Offset error	—	±0.1		% of FSR	
T <sub>EO</sub>	Offset error temperature coefficient	—	30	—	µV/C	
E <sub>G</sub>	Gain error • VDACR < 2.1 V • VDACR > 2.1V	—	±0.3 ±0.1		%FSR	
T <sub>EG</sub>	Gain error temperature coefficient	—	10	—	PPM/C	
T <sub>FS</sub>	Full scale rising/falling setting time	—	0.3		µs	
F <sub>clk</sub>	Maximum output update rate/conversion rate	—	5	—	MSPS	
SR	Slew rate • Normal mode	—	15	—	V/µs	
PSRR	Power supply rejection ratio	—	70	—	dB	
Glitch	Glitch energy	—	30		nV/s	
CT	DAC to DAC crosstalk	—	—	-80	dB	[2]
R <sub>OP</sub>	Output resistance	—	25	250	ohm	
TPU	Power-up time	—	2.5	—	µs	[3]

[1] V<sub>DD\_ANA</sub> and V<sub>REFH</sub> total current

[2] If two DAC are used and share same V<sub>REFH</sub>

[3] Buffered voltage mode, buffer be enabled and normal working time

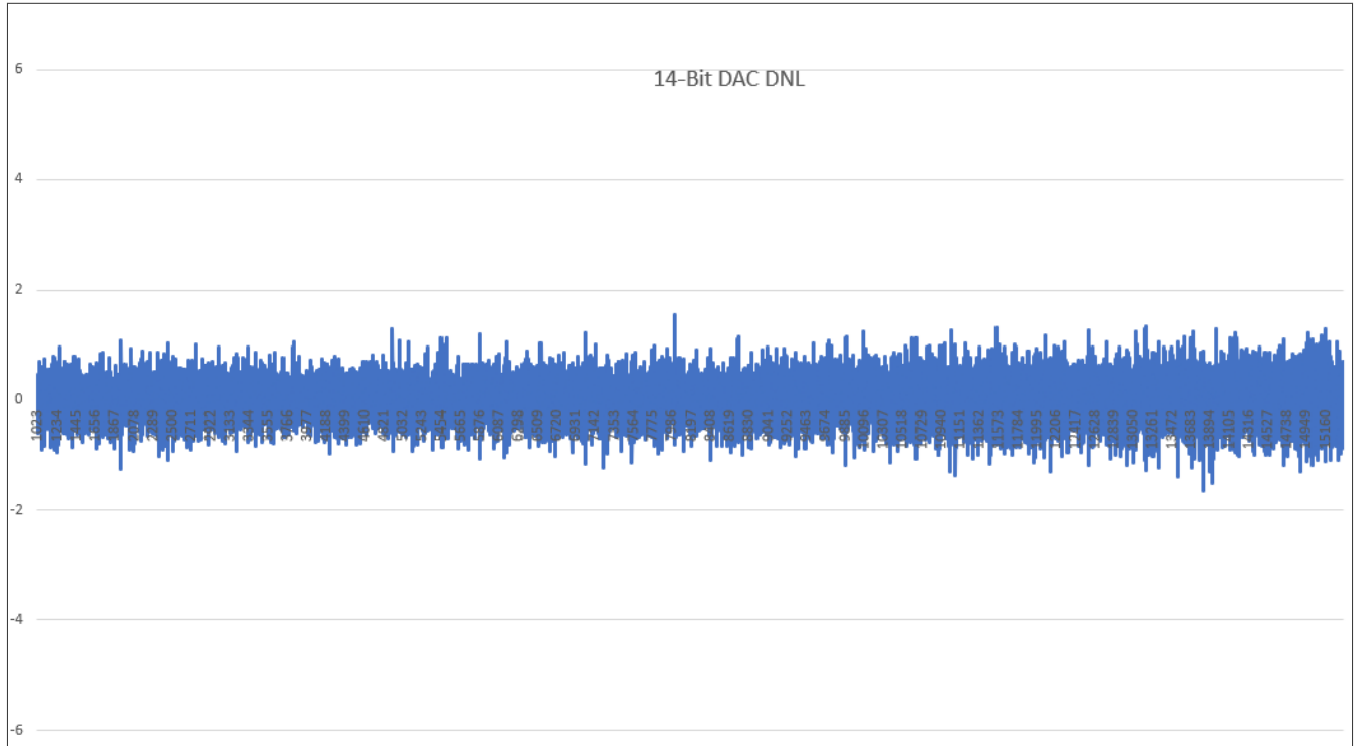


Figure 26. 14-bit DAC DNL

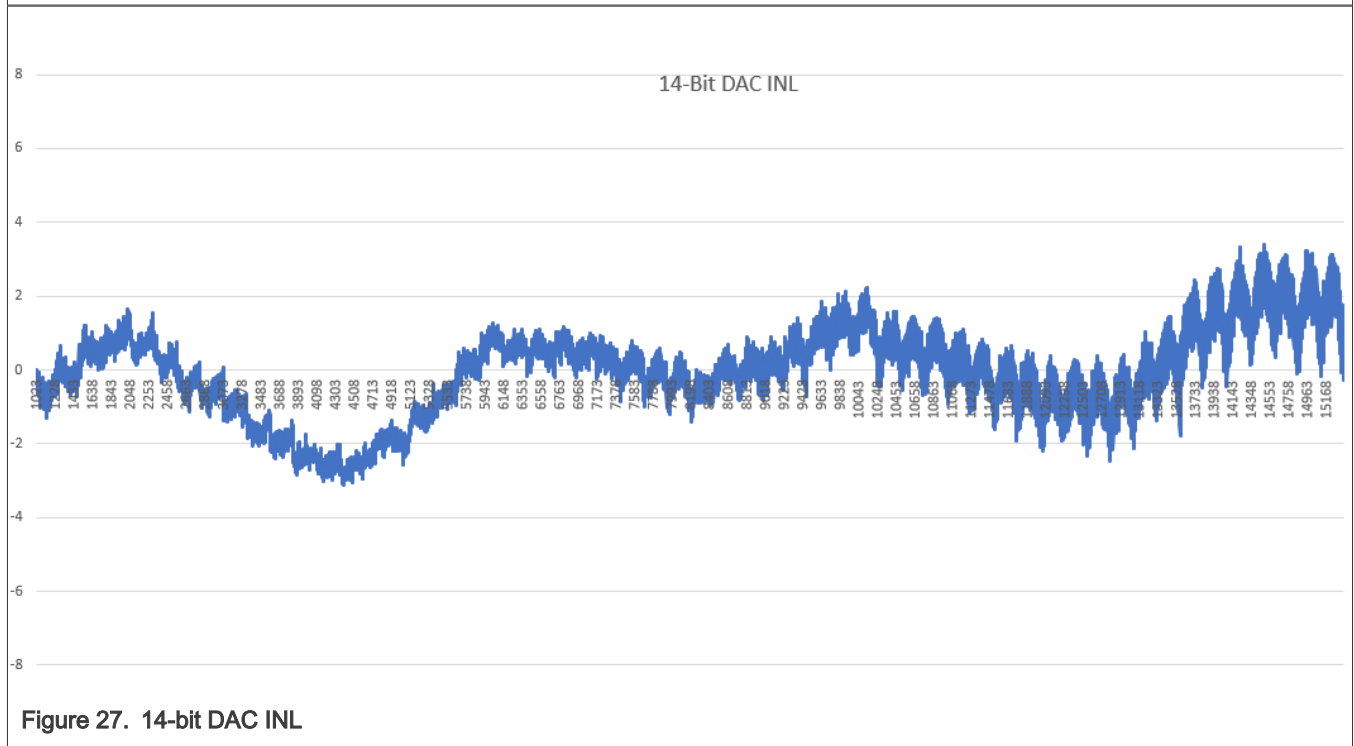


Figure 27. 14-bit DAC INL

4.4.4 CMP and 8-bit DAC electrical specifications

Table 62. Comparator and 8-bit DAC electrical specifications

Symbol	Description	Min.	Typ.	Max.	Unit	Notes
VDD	Supply voltage	1.71	—	3.6	V	
VREFH	8-bit DAC reference voltage high	0.97	—	VDD	V	
I <sub>DD_CMP</sub>	Supply current <ul style="list-style-type: none"> <li>High speed mode (EN=1, HPMD=1)</li> <li>Normal mode (EN=1, HPMD=0, NPMD=0)</li> <li>Low-power mode (EN=1, HPMD=0, NPMD=1)</li> </ul>	—	200	—	μA	
		—	10	—	μA	
		—	400	—	nA	
V <sub>AIN</sub>	Analog input voltage	VSS	—	VDD	V	
V <sub>AIO</sub>	Analog input offset voltage <ul style="list-style-type: none"> <li>High speed mode</li> <li>Normal mode</li> <li>Low-power mode</li> </ul>	—	—	20	mV	
		—	—	20	mV	
		—	—	40	mV	
V <sub>H</sub>	Analog comparator hysteresis <ul style="list-style-type: none"> <li>CR0[HYSTCTR] = 00</li> <li>CR0[HYSTCTR] = 01</li> <li>CR0[HYSTCTR] = 10</li> <li>CR0[HYSTCTR] = 11</li> </ul>	—	0	—	mV	[1]
		—	10	—	mV	
		—	20	—	mV	
		—	30	—	mV	
V <sub>CMPOh</sub>	Output high	VDD - 0.2	—	—	V	
V <sub>CMPOl</sub>	Output low	—	—	0.2	V	
t <sub>D</sub>	Propagation delay <ul style="list-style-type: none"> <li>High speed mode, 100 mV overdrive, power &gt; 1.71V</li> <li>High speed mode, 30 mV overdrive, power &gt; 1.71V</li> <li>Normal mode, 30 mV overdrive, power &gt; 1.71V</li> <li>Low-power mode, 30 mV overdrive, power &gt; 1.71V</li> </ul>	—	—	25	ns	[2]
		—	—	50	ns	
		—	—	600	ns	
		—	—	5	μs	
t <sub>init</sub>	Analog comparator initialization delay	—	—	40	μs	[3]
I <sub>DAC8b</sub>	8-bit DAC current adder (enabled) <ul style="list-style-type: none"> <li>High power mode (EN=1, PMODE=1)</li> <li>Low power mode (EN=1, PMODE=0)</li> </ul>	—	10	—	μA	
		—	1	—	μA	

Table continues on the next page...

Table 62. Comparator and 8-bit DAC electrical specifications...continued

Symbol	Description	Min.	Typ.	Max.	Unit	Notes
INL	8-bit DAC integral non-linearity <ul style="list-style-type: none"> <li>• Low/High power mode, supply power &gt; 1.71V</li> <li>• Low power mode, supply power &lt; 1.71V</li> </ul>	-1	—	+1.0	LSB	[4]
		-2	—	+2		
DNL	8-bit DAC differential non-linearity <ul style="list-style-type: none"> <li>• Low/High power mode, power &gt; 1.71V</li> <li>• Low power mode, power &lt; 1.71V</li> </ul>	-1	—	+1.0	LSB	[4]
		-1	—	+1		

[1] Typical hysteresis is measured with input voltage range limited to 0.6 to VDD\_ANA-0.6 V.  
 [2] Overdrive does not include input offset voltage or hysteresis  
 [3] Comparator initialization delay is defined as the time between software writes to change control inputs (Writes to CMP\_DACCR[DACEN], CMP\_DACCR[VRSEL], CMP\_DACCR[VOSEL], CMP\_MUXCR[PSEL], and CMP\_MUXCR[MSEL]) and the comparator output settling to a stable level.  
 [4] 1 LSB =  $V_{reference}/256$

Typical hysteresis

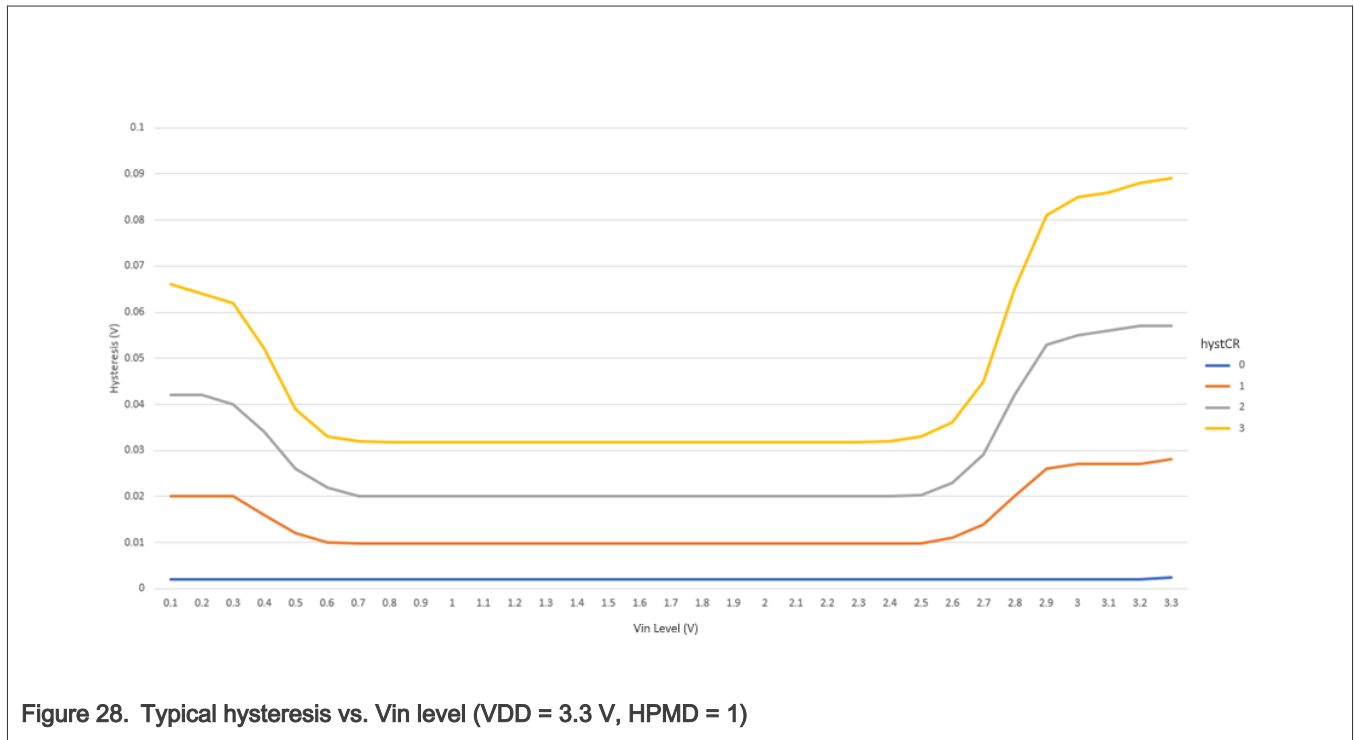


Figure 28. Typical hysteresis vs. Vin level (VDD = 3.3 V, HPMD = 1)

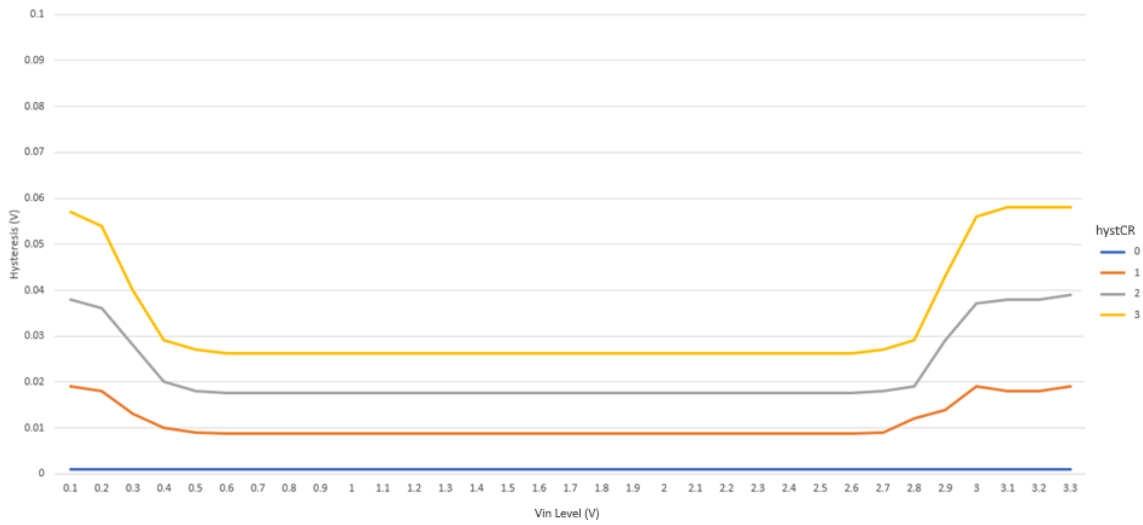


Figure 29. Typical hysteresis vs. Vin level (VDD = 3.3 V, HPMD = 0, NPMD = 0)

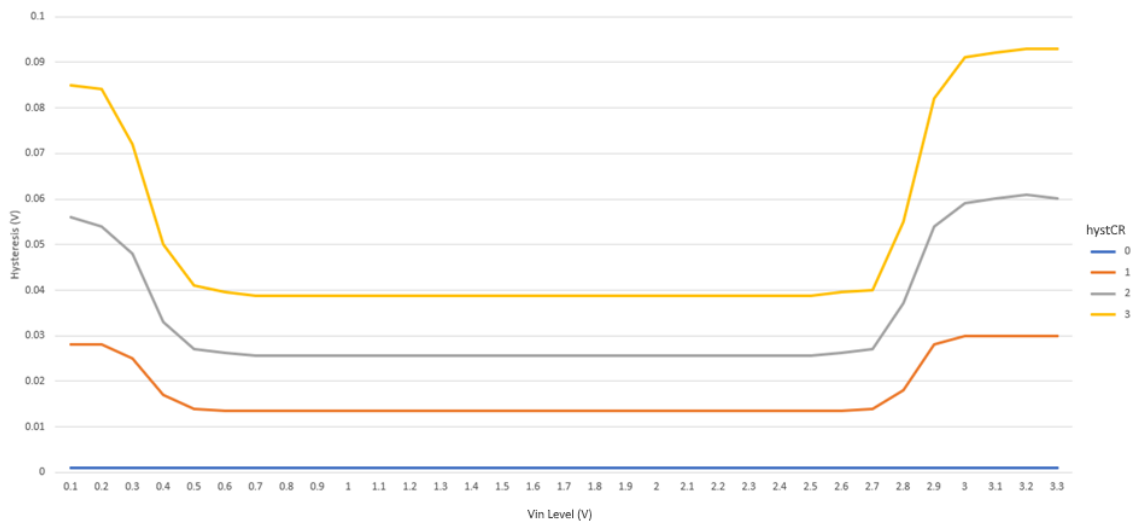


Figure 30. Typical hysteresis vs. Vin level (VDD = 3.3 V, HPMD = 0, NPMD = 1)

#### 4.4.5 Voltage reference electrical specifications

Table 63. VREF operating requirements

Symbol	Description	Min.	Typ.	Max.	Unit	Notes
VDD_ANA	Supply voltage	1.71	3.0	3.6	V	[1]
C <sub>L</sub>	Output load capacitance	—	220	—	nF	[2],[3]

- [1] VDD\_ANA must be at least 600 mV greater than the selected VREF0 output voltage.
- [2] C<sub>L</sub> must be connected to VREF\_OUT if the VREF\_OUT functionality is being used for either an internal or external reference.
- [3] The minimum C<sub>L</sub> capacitance must take into account the variation in capacitance of the chosen capacitor due to voltage, temperature, and aging.

Table 64. VREF operating behaviors

Symbol	Description	Min.	Typ.	Max.	Unit	Notes
1.0 V low-power reference voltage						
V <sub>vref0_lpbg</sub>	Voltage reference output 1.0 V - LP bandgap	—	1.0	—	V	[1]
I <sub>q_lpbg</sub>	Quiescent current - LP bandgap	—	19	—	μA	
I <sub>ptat</sub>	Output current reference (PTAT) - LP bandgap (room temp)	—	1	—	μA	
I <sub>ztc</sub>	Output current reference (ZTC) - LP bandgap	—	1	—	μA	
t <sub>st_lpbg</sub>	Start-up time - LP bandgap	—	—	20	μs	
ΔV/ V <sub>vref0_lpbg</sub>	Voltage variation - LP bandgap	—	±5	—	%	
High precision reference voltage						
V <sub>vref0</sub>	Voltage reference output 2.0 V	1.0	—	2.1	V	[2][1]
V <sub>step</sub>	Fine trim step	—	0.5 x (1/ F) <sup>[3]</sup>	—	mV	
I <sub>q</sub>	Quiescent current	—	750	—	μA	
I <sub>out</sub>	Drive strength	±1	—	—	mA	
t <sub>st_hcbg</sub>	Start-up time	—	—	400	μs	
ΔV <sub>LOAD</sub>	Load regulation	—	100	200	μV/mA	[4]
V <sub>acc</sub>	Absolute voltage accuracy (room temp)	—	—	±2	mV	[5]
V <sub>dev</sub>	Voltage deviation over temperature	—	15	—	ppm/°C	

- [1] See the Reference Manual of the chip for the appropriate settings of the VREF Status and Control register.
- [2] V<sub>vref0</sub> max is also ≤ VDD\_ANA - 600 mV.
- [3] F is feedback factor, F = 1/V<sub>vref0</sub>.
- [4] Load regulation voltage is the difference between the VREF\_OUT voltage with no load vs. voltage with defined load.
- [5] Absolute accuracy tested at 1.0 V setting only.

### 4.4.6 Op-amp electrical specifications

Table 65. Op-amp electrical specifications

Symbol	Characteristic	Min	Typ	Max	Unit
VDD_ANA	Operating Voltage	1.71	3	3.6	V

Table continues on the next page...

Table 65. Op-amp electrical specifications...continued

Symbol	Characteristic	Min	Typ	Max	Unit
I <sub>SUPPLY1</sub>	Supply Current (I <sub>OUT</sub> =0 mA high-performance mode)		450		μA
I <sub>SUPPLY2</sub>	Supply Current (I <sub>OUT</sub> =0 mA low-power mode)		120		μA
VOS	Input Offset Voltage <ul style="list-style-type: none"> <li>• High performance mode (CTRL[MODE] = 0)</li> <li>• Low power mode (CTRL[MODE] = 1)</li> </ul>	-5 -8	- -	5 8	mV
αVOS	Input Offset Voltage Temperature Coefficient		5		μV/C
VCML	Input Common Mode Voltage Low	0			V
VCMH	Input Common Mode Voltage High			VDD_ANA	V
PSRR	Power Supply Rejection Ration @ DC		80		dB
SRh	Slew Rate positive (ΔVIN=1 V, high-performance mode)		6		V/μs
SRI	Slew Rate positive (ΔVIN=1 V, low-power mode)		1		V/μs
GBWh	Unity Gain Bandwidth (high-performance mode)		6		MHz
GBWI	Unity Gain Bandwidth (low-power mode)		1		MHz
AV	DC Open Loop Voltage Gain		110		dB
CL	Load Capacitance Driving Capability			20	pF
RL	Load resistance (low-power mode)	3 K			Ω
PM	Phase Margin		60		deg
Vn	Voltage noise density @1 kHz (high-performance mode)		100		nv/sqrtHz
Vo	Output swing	0.2		VDD_ANA - 0.2	V
T <sub>settle</sub>	Settling time (high-speed mode invert gain=4 input=10 mV with +/-730 μV settling accuracy)		1		μs
C <sub>in</sub>	Input Capacitance		5		pF
T <sub>start</sub>	Required sample time is dictated by external components		5		μs

4.4.7 PGA electrical specifications

**Note:** Gain is PGA mode gain and gain is 2.4.8

Table 66. PGA electrical specifications

Characteristic	Symbol	Min	Typ	Max	Unit
PGA gain accuracy	Error gain		±1		%
PGA bandwidth (inverting mode, gain=1, 2, 4)			6/(gain+1)		MHz
PGA bandwidth (inverting mode, gain=8, 16, 33, 64)			32/(gain+1)		MHz
PGA bandwidth (non-inverting mode, gain=1, 2, 4)			6/(gain+1)		MHz
PGA bandwidth (non-inverting mode, gain=8, 16, 33, 64)			32/(gain+1)-		MHz

## 4.5 Timers

See [General switching specifications](#).

### 4.5.1 SCTimer/PWM output timing

Simulated skew (over process, voltage, and temperature) of any two SCT fixed-pin output signals; sampled at the 50% level of the rising or falling edge; values guaranteed by design.

Table 67. SCTimer/PWM output dynamic characteristics

Symbol	Parameter	Conditions	Min.	Typ.	Max.	Unit
$t_{sk(o)}$	Output skew time	OD mode: 3.3 SD mode:5 MD mode:10	0	—	3.3 5 10	ns

## 4.6 Communication interfaces

### 4.6.1 LPUART

See [General switching specifications](#).

### 4.6.2 LPSPi switching specifications

The Low Power Serial Peripheral Interface (LPSPi) provides a synchronous serial bus with master and slave operations. Many of the transfer attributes are programmable. The following tables provide timing characteristics for classic SPi timing modes.

Table 68. LPSPi master mode timing

Symbol	Description	Min.	Max.	Unit	Notes
LP1	Frequency of operation <ul style="list-style-type: none"> <li>• Master TX in OD mode                             <ul style="list-style-type: none"> <li>— LPSPi0–LPSPi2</li> <li>— LPSPi3–LPSPi5</li> </ul> </li> </ul>	— —	25 50	MHz	[1]

Table continues on the next page...

Table 68. LPSPI master mode timing...continued

Symbol	Description	Min.	Max.	Unit	Notes
	<ul style="list-style-type: none"> <li>— LPSPI6–LPSPI9</li> <li>• Master RX in OD mode                             <ul style="list-style-type: none"> <li>— LPSPI0–LPSPI2</li> <li>— LPSPI3–LPSPI5</li> <li>— LPSPI6–LPSPI9</li> </ul> </li> <li>• Master TX in SD mode                             <ul style="list-style-type: none"> <li>— LPSPI0–LPSPI2</li> <li>— LPSPI3–LPSPI5</li> <li>— LPSPI6–LPSPI9</li> </ul> </li> <li>• Master RX in SD mode                             <ul style="list-style-type: none"> <li>— LPSPI0–LPSPI2</li> <li>— LPSPI3–LPSPI5</li> <li>— LPSPI6–LPSPI9</li> </ul> </li> <li>• Master TX in MD mode                             <ul style="list-style-type: none"> <li>— LPSPI0–LPSPI2</li> <li>— LPSPI3–LPSPI5</li> <li>— LPSPI6–LPSPI9</li> </ul> </li> <li>• Master RX in MD mode                             <ul style="list-style-type: none"> <li>— LPSPI0–LPSPI2</li> <li>— LPSPI3–LPSPI5</li> <li>— LPSPI6–LPSPI9</li> </ul> </li> </ul>	—	75		
		—	25		
		—	50		
		—	75		
		—	21		
		—	32		
		—	50		
		—	21		
		—	32		
		—	50		
		—	12.5		
		—	25		
		—	25		
		—	12.5		
		—	25		
		—	25		
LP2	SCK period	$2 \times t_{\text{periph}}$	$2048 \times t_{\text{periph}}$	ns	
LP3	Enable lead time	1/2	—	$t_{\text{periph}}$	[2]
LP4	Enable lag time	1/2	—	$t_{\text{periph}}$	[2]
LP5	Clock (SCK) high or low time	$t_{\text{SCK}}/2 - 3$	$t_{\text{SCK}}/2$	ns	—
LP6	Data setup time (inputs)	14.4	—	ns	—
	• LPSPI0–LPSPI2	7.2			
	• LPSPI3–LPSPI5	4.8			
	• LPSPI6–LPSPI9				
LP7	Data hold time (inputs)	0	—	ns	—
LP8	Data valid (after SCK edge)	—	14.4	ns	—
	• LPSPI0–LPSPI2		7.2		
	• LPSPI3–LPSPI5		4.8		

Table continues on the next page...

Table 68. LPSPI master mode timing...continued

Symbol	Description	Min.	Max.	Unit	Notes
	• LPSPi6–LPSPi9				
LP9	Data hold time (outputs)	1	—	ns	—

[1] The frequency of operation is also limited to a minimum of  $f_{\text{periph}}/2048$  and a max of  $f_{\text{periph}}/2$ , where  $f_{\text{periph}}$  is the LPSPi peripheral functional clock.  
 [2]  $t_{\text{periph}} = 1/f_{\text{periph}}$

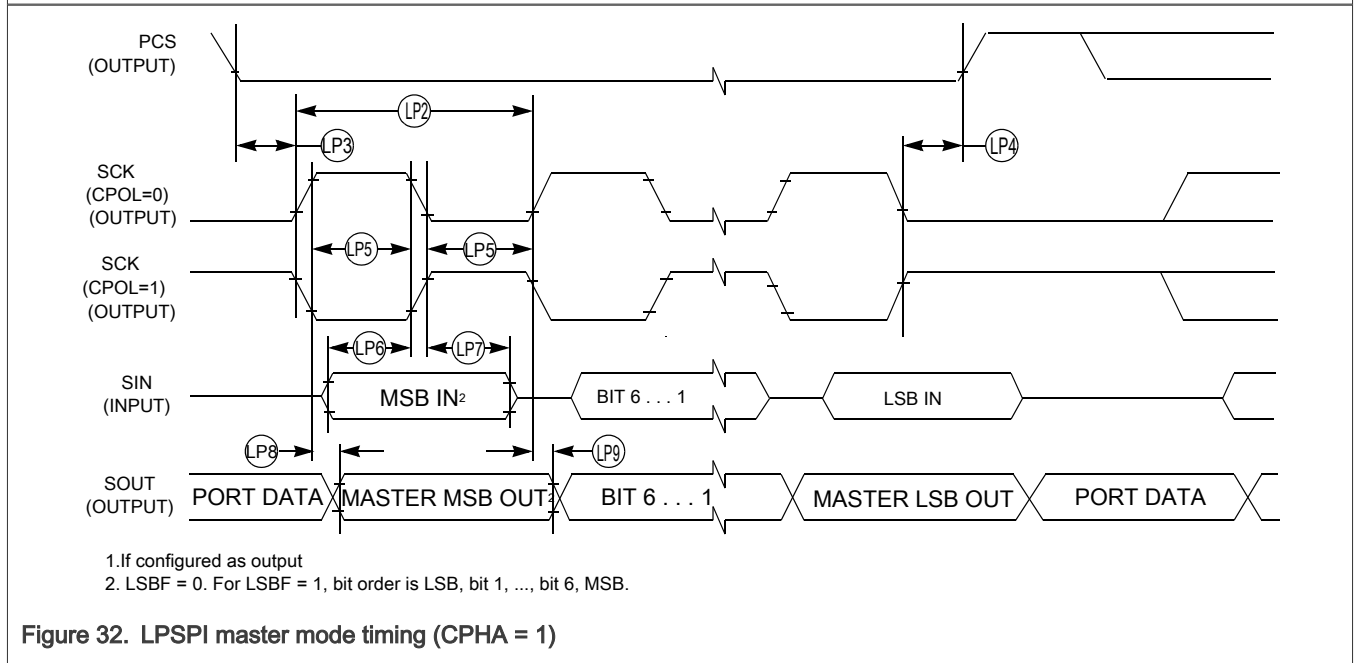
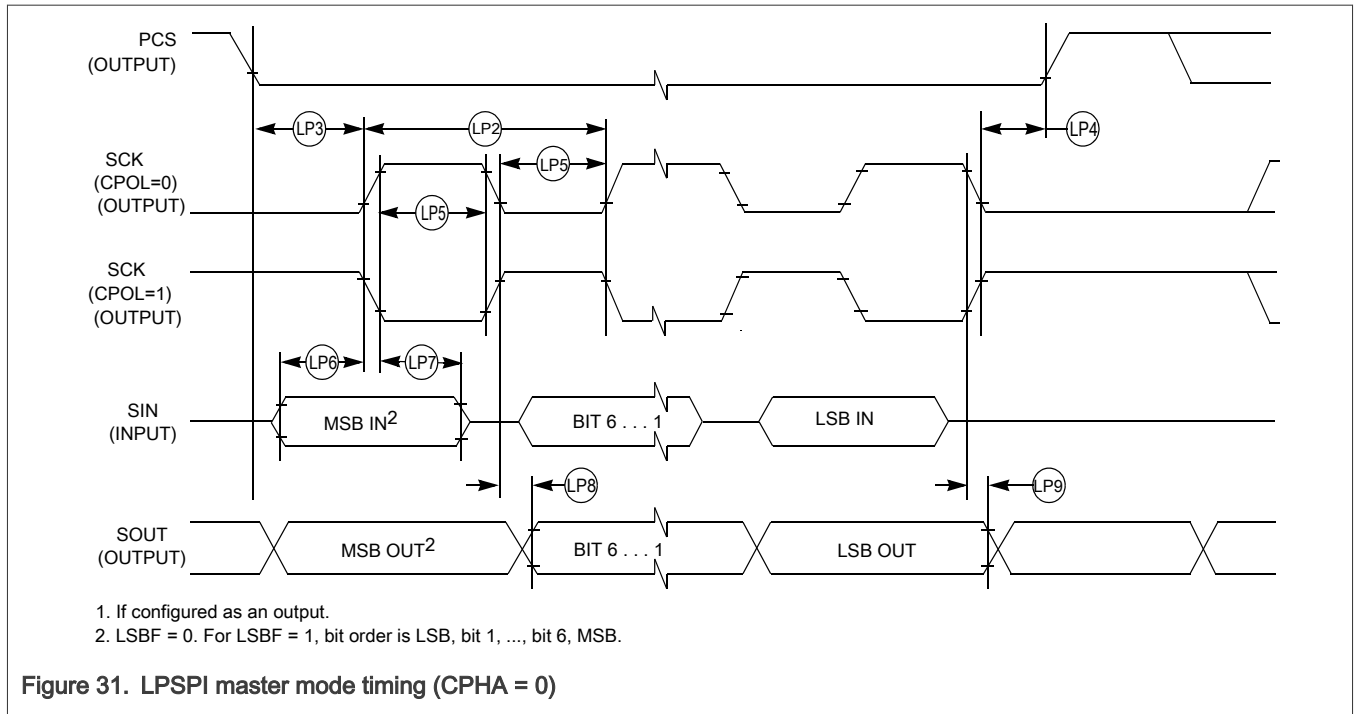


Table 69. LPSPI slave mode timing

Symbol	Description	Min.	Max.	Unit	Notes
LP1	Frequency of operation <ul style="list-style-type: none"> <li>• Slave TX in OD mode                             <ul style="list-style-type: none"> <li>— LPSPI0–LPSPI2</li> <li>— LPSPI3–LPSPI5</li> <li>— LPSPI6–LPSPI9</li> </ul> </li> <li>• Slave RX in OD mode                             <ul style="list-style-type: none"> <li>— LPSPI0–LPSPI2</li> <li>— LPSPI3–LPSPI5</li> <li>— LPSPI6–LPSPI9</li> </ul> </li> <li>• Slave TX in SD mode                             <ul style="list-style-type: none"> <li>— LPSPI0–LPSPI2</li> <li>— LPSPI3–LPSPI5</li> <li>— LPSPI6–LPSPI9</li> </ul> </li> <li>• Slave RX in SD mode                             <ul style="list-style-type: none"> <li>— LPSPI0–LPSPI2</li> <li>— LPSPI3–LPSPI5</li> <li>— LPSPI6–LPSPI9</li> </ul> </li> <li>• Slave TX in MD mode                             <ul style="list-style-type: none"> <li>— LPSPI0–LPSPI2</li> <li>— LPSPI3–LPSPI5</li> <li>— LPSPI6–LPSPI9</li> </ul> </li> <li>• Slave RX in MD mode                             <ul style="list-style-type: none"> <li>— LPSPI0–LPSPI2</li> <li>— LPSPI3–LPSPI5</li> <li>— LPSPI6–LPSPI9</li> </ul> </li> </ul>	—	12.5 20 30 12.5 30 75 12.5 16 25 12.5 30 50 12.5 12.5 25 12.5 30 30	MHz	[1]
LP2	SPSCK period	$4 \times t_{\text{periph}}$	$2048 \times t_{\text{periph}}$	ns	
LP3	Enable lead time	1	—	$t_{\text{periph}}$	[2]
LP4	Enable lag time	1	—	$t_{\text{periph}}$	[2]
LP5	Clock (SPSCK) high or low time	$t_{\text{SPSCK}}/2 - 5$	$t_{\text{SPSCK}}/2$	ns	—
LP6	Data setup time (inputs) <ul style="list-style-type: none"> <li>• LPSPI0~LPSPI2</li> </ul>	14.4 6	—	ns	—

Table continues on the next page...

Table 69. LPSPi slave mode timing...continued

Symbol	Description	Min.	Max.	Unit	Notes
	<ul style="list-style-type: none"> <li>• LPSPi3~LPSPi5</li> <li>• LPSPi6~LPSPi9</li> </ul>	2.4			
LP7	Data hold time (inputs)	0	—	ns	—
LP8	Slave access time	—	$t_{\text{periph}}$	ns	[2][3]
LP9	Slave SDO disable time	—	$t_{\text{periph}}$	ns	[2][4]
LP10	Data valid (after SPSCk edge) <ul style="list-style-type: none"> <li>• LPSPi0~LPSPi2</li> <li>• LPSPi3~LPSPi5</li> <li>• LPSPi6~LPSPi9</li> </ul>	—	31.2 17 13	ns	—
LP11	Data hold time (outputs)	2	—	ns	—

[1] The frequency of operation is also limited to a minimum of  $f_{\text{periph}}/2048$  and a max of  $f_{\text{periph}}/4$ , where  $f_{\text{periph}}$  is the LPSPi peripheral functional clock.  
 [2]  $t_{\text{periph}} = 1/f_{\text{periph}}$   
 [3] Time to data active from high-impedance state  
 [4] Hold time to high-impedance state

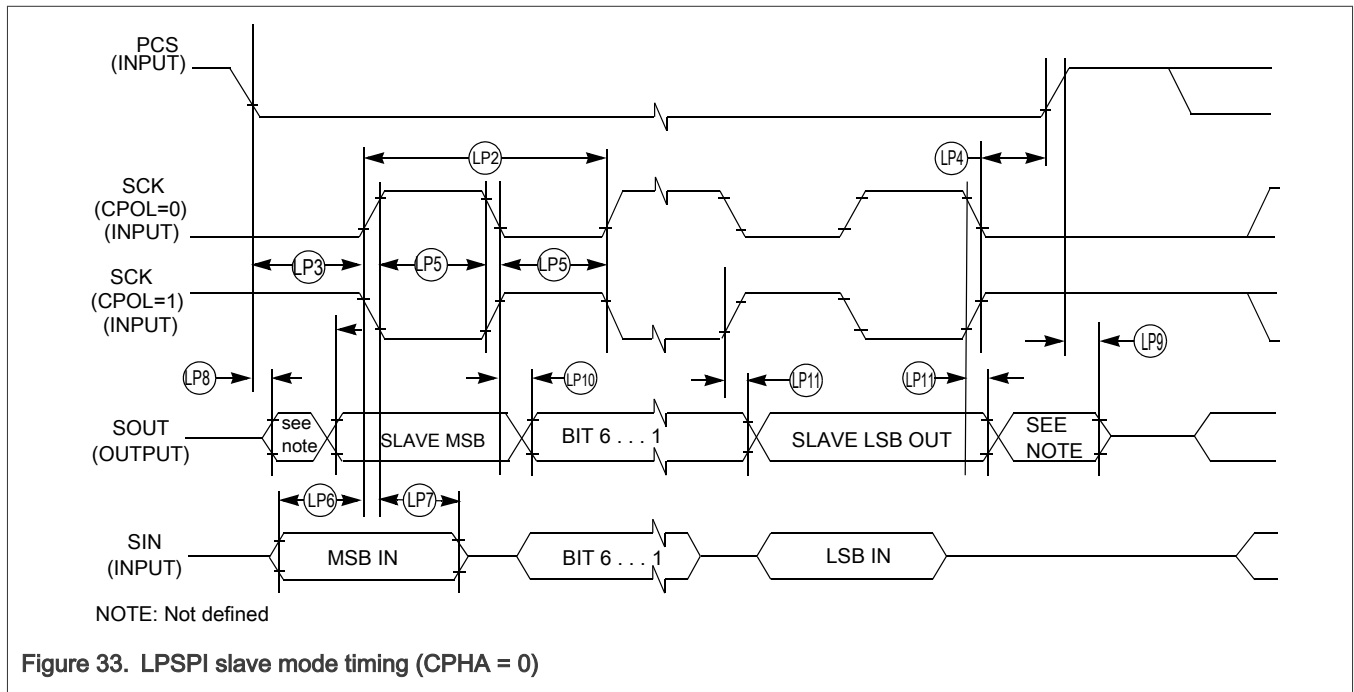
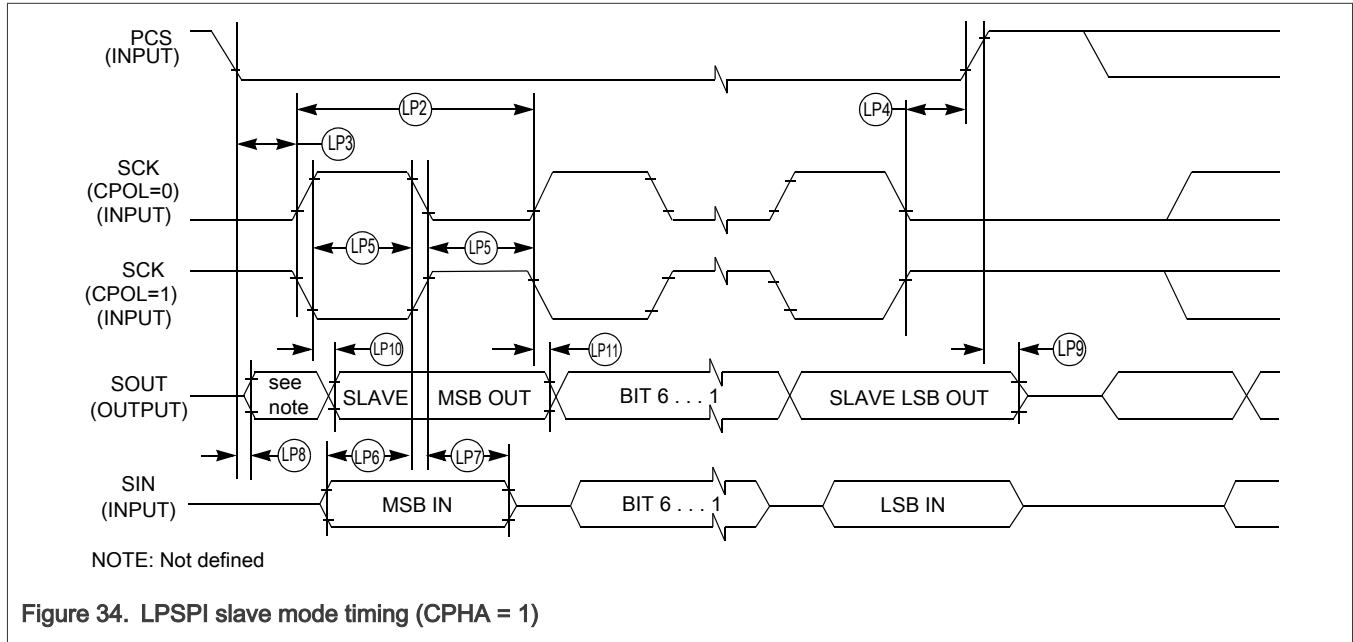


Figure 33. LPSPi slave mode timing (CPHA = 0)



### 4.6.3 Inter-Integrated Circuit Interface (I<sup>2</sup>C) specifications

Table 70. I<sup>2</sup>C timing

Characteristic	Symbol	Standard Mode		Fast Mode		Unit
		Min.	Max.	Min.	Max.	
SCL Clock Frequency	f <sub>SCL</sub>	0	100	0	400	kHz
Hold time (repeated) START condition. After this period, the first clock pulse is generated.	t <sub>HD</sub> ; STA	4	—	0.6	—	μs
LOW period of the SCL clock	t <sub>LOW</sub>	4.7	—	1.25	—	μs
HIGH period of the SCL clock	t <sub>HIGH</sub>	4	—	0.6	—	μs
Set-up time for a repeated START condition	t <sub>SU</sub> ; STA	4.7	—	0.6	—	μs
Data hold time for I <sup>2</sup> C bus devices	t <sub>HD</sub> ; DAT	0 <sup>[1]</sup>	3.45 <sup>[2]</sup>	0 <sup>[3]</sup>	0.9 <sup>[1]</sup>	μs
Data set-up time	t <sub>SU</sub> ; DAT	250 <sup>[4]</sup>	—	100 <sup>[2][5]</sup>	—	ns
Rise time of SDA and SCL signals	t <sub>r</sub>	—	1000	20 + 0.1C <sub>b</sub> <sup>[6]</sup>	300	ns
Fall time of SDA and SCL signals	t <sub>f</sub>	—	300	20 + 0.1C <sub>b</sub> <sup>[5]</sup>	300	ns
Set-up time for STOP condition	t <sub>SU</sub> ; STO	4	—	0.6	—	μs
Bus free time between STOP and START condition	t <sub>BUF</sub>	4.7	—	1.3	—	μs
Pulse width of spikes that must be suppressed by the input filter	t <sub>SP</sub>	N/A	N/A	0	50	ns

[1] The master mode I<sup>2</sup>C deasserts ACK of an address byte simultaneously with the falling edge of SCL. If no slaves acknowledge this address byte, then a negative hold time can result, depending on the edge rates of the SDA and SCL lines.  
 [2] The maximum t<sub>HD</sub>; DAT must be met only if the device does not stretch the LOW period (t<sub>LOW</sub>) of the SCL signal.  
 [3] Input signal Slew = 10 ns and Output Load = 50 pF  
 [4] Set-up time in slave-transmitter mode is 1 IPBus clock period, if the TX FIFO is empty.

- [5] A Fast mode I<sup>2</sup>C bus device can be used in a Standard mode I<sup>2</sup>C bus system, but the requirement  $t_{SU, DAT} \geq 250$  ns must then be met. This is automatically the case if the device does not stretch the LOW period of the SCL signal. If such a device does stretch the LOW period of the SCL signal, then it must output the next data bit to the SDA line  $t_{rmax} + t_{SU, DAT} = 1000 + 250 = 1250$  ns (according to the Standard mode I<sup>2</sup>C bus specification) before the SCL line is released.
- [6]  $C_b$  = total capacitance of the one bus line in pF.

Table 71. I<sup>2</sup>C 1 Mbps timing

Characteristic	Symbol	Min.	Max.	Unit
SCL Clock Frequency	$f_{SCL}$	0	1	MHz
Hold time (repeated) START condition. After this period, the first clock pulse is generated.	$t_{HD; STA}$	0.26	—	$\mu$ s
LOW period of the SCL clock	$t_{LOW}$	0.5	—	$\mu$ s
HIGH period of the SCL clock	$t_{HIGH}$	0.26	—	$\mu$ s
Set-up time for a repeated START condition	$t_{SU; STA}$	0.26	—	$\mu$ s
Data hold time for I <sup>2</sup> C bus devices	$t_{HD; DAT}$	0	—	$\mu$ s
Data set-up time	$t_{SU; DAT}$	50	—	ns
Rise time of SDA and SCL signals	$t_r$	$20 + 0.1C_b^{[1]}$	120	ns
Fall time of SDA and SCL signals	$t_f$	$20 + 0.1C_b^{[1]}$	120	ns
Set-up time for STOP condition	$t_{SU; STO}$	0.26	—	$\mu$ s
Bus free time between STOP and START condition	$t_{BUF}$	0.5	—	$\mu$ s
Pulse width of spikes that must be suppressed by the input filter	$t_{SP}$	0	50	ns

[1]  $C_b$  = total capacitance of the one bus line in pF.

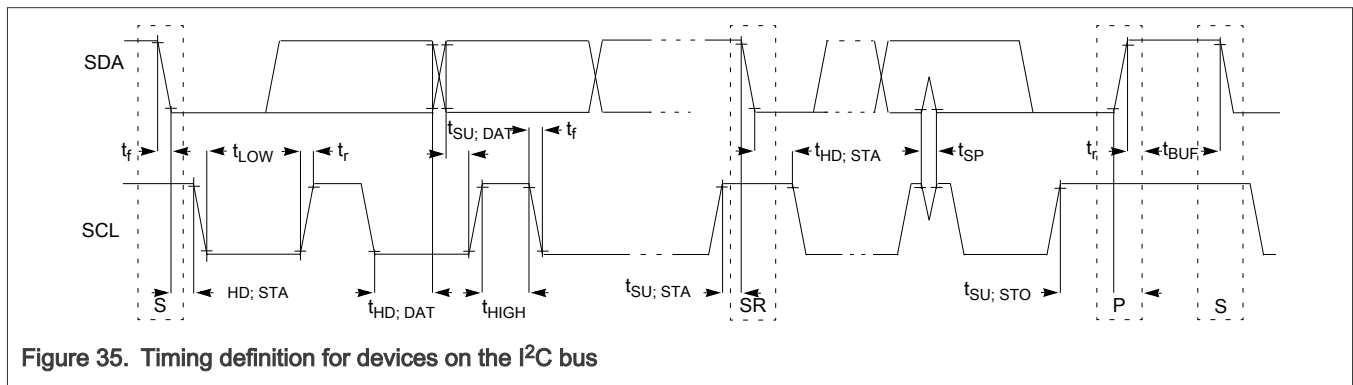


Figure 35. Timing definition for devices on the I<sup>2</sup>C bus

#### 4.6.4 Improved Inter-Integrated Circuit Interface (MIPI-I3C) specifications

Unless otherwise specified, MIPI-I3C specifications are timed to/from the  $V_{IH}$  and/or  $V_{IL}$  signal points.

Table 72. MIPI-I3C specifications when communicating with legacy I<sup>2</sup>C devices

Symbol	Characteristic	400 kHz/Fast mode		1 MHz/ Fast+ mode		Unit
		Min.	Max.	Min.	Max.	
$f_{SCL}$	SCL Clock Frequency	0	0.4	0	1.0	MHz
$t_{SU; STA}$	Set-up time for a repeated START condition	600	—	260	—	ns

Table continues on the next page...

Table 72. MIPI-I3C specifications when communicating with legacy I<sup>2</sup>C devices...continued

Symbol	Characteristic	400 kHz/Fast mode		1 MHz/ Fast+ mode		Unit
		Min.	Max.	Min.	Max.	
Hold time (repeated) START condition	t <sub>HD</sub> ; STA	600	—	260	—	ns
t <sub>LOW</sub>	LOW period of the SCL clock	1300	—	500	—	ns
t <sub>HIGH</sub>	HIGH period of the SCL clock	600	—	260	—	ns
t <sub>SU_DAT</sub>	Data set-up time	100	—	50	—	ns
t <sub>HD_DAT</sub>	Data hold time for I <sub>2</sub> C bus devices	0	—	0	—	ns
t <sub>f</sub>	Fall time of SDA and SCL signals	20 + 0.1C <sub>b</sub> <sup>[1]</sup>	300	20 + 0.1C <sub>b</sub> <sup>[1]</sup>	120	ns
t <sub>r</sub>	Rise time of SDA and SCL signals	20 + 0.1C <sub>b</sub> <sup>[1]</sup>	300	20 + 0.1C <sub>b</sub> <sup>[1]</sup>	120	ns
t <sub>SU_STO</sub>	Set-up time for STOP condition	600	—	260	—	ns
t <sub>BUF</sub>	Bus free time between STOP and START condition	1.3	—	0.5	—	μs
t <sub>SP</sub>	Pulse width of spikes that must be suppressed by the input filter	0	50	0	50	ns

[1] C<sub>b</sub> = total capacitance of the one bus line in pF.

Table 73. MIPI-I3C open drain mode specifications

Symbol	Characteristic	Min.	Max.	Unit	Notes
t <sub>LOW_OD</sub>	LOW period of the SCL clock	200	—	ns	
t <sub>DIG_OD_L</sub>		t <sub>LOW_OD</sub> + t <sub>rDA_OD</sub> (min)	—	ns	
t <sub>HIGH</sub>	HIGH period of the SCL clock	t <sub>CF</sub>	12	ns	
t <sub>rDA_OD</sub>	Fall time of SDA signal	20 + 0.1C <sub>b</sub>	120	ns	[1]
t <sub>SU_OD</sub>	Data set-up time during open drain mode	3	—	ns	
t <sub>CAS</sub>	Clock after START (S) Condition				
	• ENTAS0	38.4 n	1 μ	s	
	• ENTAS1	38.4 n	100 μ	s	
	• ENTAS2	38.4 n	2 m	s	
	• ENTAS3	38.4 n	50 m	s	
t <sub>CBP</sub>	Clock before STOP (P) condition	t <sub>CAS</sub> (min)/2	—	ns	
t <sub>MMOverlap</sub>	Current master to secondary master overlap time during handoff	t <sub>DIG_OD_L</sub>	—	ns	

Table continues on the next page...

Table 73. MIPI-I3C open drain mode specifications...continued

Symbol	Characteristic	Min.	Max.	Unit	Notes
t <sub>AVAL</sub>	Bus available condition	1	—	μs	
t <sub>IDLE</sub>	Bus idle condition	1	—	ms	
t <sub>MMLock</sub>	Time interval where new master not driving SDA low	t <sub>AVAL</sub>	—	μs	

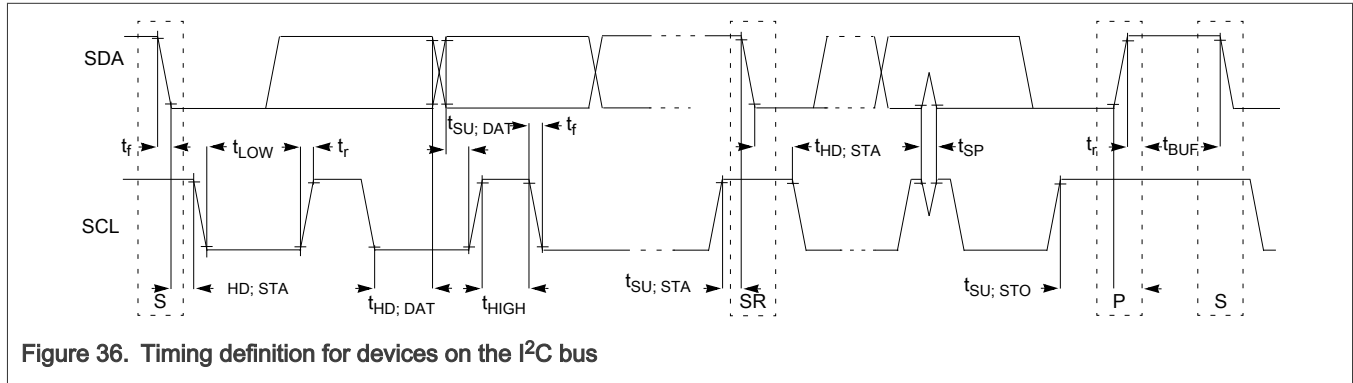
[1] C<sub>b</sub> = total capacitance of the one bus line in pF.

Table 74. MIPI-I3C push-pull specifications for SDR and HDR-DDR modes

Symbol	Characteristic	Min.	Typ.	Max.	Unit	Notes
f <sub>SCL</sub>	SCL Clock Frequency	0.01	12	12.5	MHz	
t <sub>LOW</sub>	LOW period of the SCL clock	24	—	—	ns	
t <sub>DIG_L</sub>		32	—	—	ns	
t <sub>HIGH_MIXE D</sub>	HIGH period of the SCL clock for a mixed bus	24	—	—	ns	
t <sub>DIG_H_MIXE D</sub>		32	—	45	ns	[1]
t <sub>HIGH</sub>	HIGH period of the SCL clock	24	—	—	ns	
t <sub>DIG_H</sub>		32	—	—	ns	
t <sub>SCO</sub>	Clock in to data out for a slave	—	—	12 <sup>[2]</sup>	ns	
t <sub>CR</sub>	SCL clock rise time	—	—	150 x 1/ f <sub>SCL</sub> (capped at 60)	ns	
t <sub>CF</sub>	SCL clock fall time	—	—	150 x 1/ f <sub>SCL</sub> (capped at 60)	ns	
t <sub>HD_PP</sub>	SDA signal data hold • Master mode • Slave mode	t <sub>CR</sub> + 3 and t <sub>CF</sub> + 3 0	— —	— —	ns	
t <sub>SU_PP</sub>	SDA signal setup	3	—	—	ns	
t <sub>CASr</sub>	Clock after repeated START (Sr)	t <sub>CAS</sub> (min)	—	—	ns	
t <sub>CBSr</sub>	Clock before repeated START (Sr)	t <sub>CAS</sub> (min)/2	—	—	ns	
C <sub>b</sub>	Capacitive load per bus line	—	—	50	pF	

[1] When communicating with an I3C Device on a mixed Bus, the t<sub>DIG\_H\_MIXED</sub> period must be constrained in order to make sure that I<sup>2</sup>C devices do not interpret I3C signaling as valid I<sup>2</sup>C signaling.

[2] It doesn't include output pad delay.



### 4.6.5 USB Full-speed device electrical specifications

This section describes the USB0 port Full Speed/Low Speed transceiver. The USB0 (FS/LS Transceiver) meets the electrical compliance requirements defined in the Universal Serial Bus Revision 2.0 Specification with the amendments below.

- USB ENGINEERING CHANGE NOTICE
  - Title: 5 V Short Circuit Withstand Requirement Change
  - Applies to: Universal Serial Bus Specification, Revision 2.0
- Errata for USB Revision 2.0 April 27, 2000 as of 12/7/2000
- USB ENGINEERING CHANGE NOTICE
  - Title: Pull-up/Pull-down resistors
  - Applies to: Universal Serial Bus Specification, Revision 2.0
- USB ENGINEERING CHANGE NOTICE
  - Title: Suspend Current Limit Changes
  - Applies to: Universal Serial Bus Specification, Revision 2.0
- On-The-Go and Embedded Host Supplement to the USB Revision 2.0 Specification
  - Revision 2.0 version 1.1a July 27, 2012
- Battery Charging Specification (available from USB-IF)
  - Revision 1.2 (including errata and ECNs through March 15, 2012), March 15, 2012

This SoC does not have a dedicated pin to monitor the state of the USB VBUS signal. Please refer to the USBFS chapter in the Reference Manual for methods which can be used for VBUS Session\_Valid detection with either a P4-12/ALT1 pin using an external resistive divider.

### 4.6.6 USB High-Speed PHY specifications

This section describes High-Speed PHY parameters. The high-speed PHY is capable of full and low-speed signaling as well. The USB PHY meets the electrical compliance requirements defined in the Universal Serial Bus Revision 2.0 Specification with the amendments below.

- Universal Serial Bus Specification, Revision 2.0, 2000, with amendments including the ones listed below:
- Errata for “USB Revision 2.0 April 27, 2000” as of 12/7/2000
- Errata for “USB Revision 2.0 April 27, 2000” as of May 28, 2002
- Pull-up / Pull-down Resistors (USB Engineering Change Notice)
- Suspend Current Limit Changes (USB Engineering Change Notice)
- Device Capacitance (USB Engineering Change Notice)

- USB 2.0 Connect Timing Update (USB Engineering Change Notice as of April 4, 2013)
- USB 2.0 VBUS Max Limit (USB Engineering Change Notice)
- On-The-Go and Embedded Host Supplement to the USB Revision 2.0 Specification, Revision 2.0 version 1.1a, July 27, 2012
- Maximum VBUS Voltage (USB OTGEH Engineering Change Notice)
- Universal Serial Bus Micro-USB Cables and Connectors Specification, Revision 1.01, 2007

USB1\_VBUS pin is a detector function which is 5V tolerant and complies with the above specifications without needing any external voltage division components.

**Note:** The USB HS PHY does not support operation when VDD\_CORE is configured to 1.0V level

### 4.6.7 Ultra High Speed SD/SDIO/MMC Host Interface (uSDHC) AC timing

This section describes the electrical information of the uSDHC, which includes SD/eMMC4.3 (Single Data Rate) timing, eMMC4.4/4.41/4.5 (Dual Data Rate) timing and SDR104/50(SD3.0) timing.

#### 4.6.7.1 SD/eMMC4.3 (single data rate) AC timing

Figure 37 depicts the timing of SD/eMMC4.3, and Table 75 lists the SD/eMMC4.3 timing characteristics.

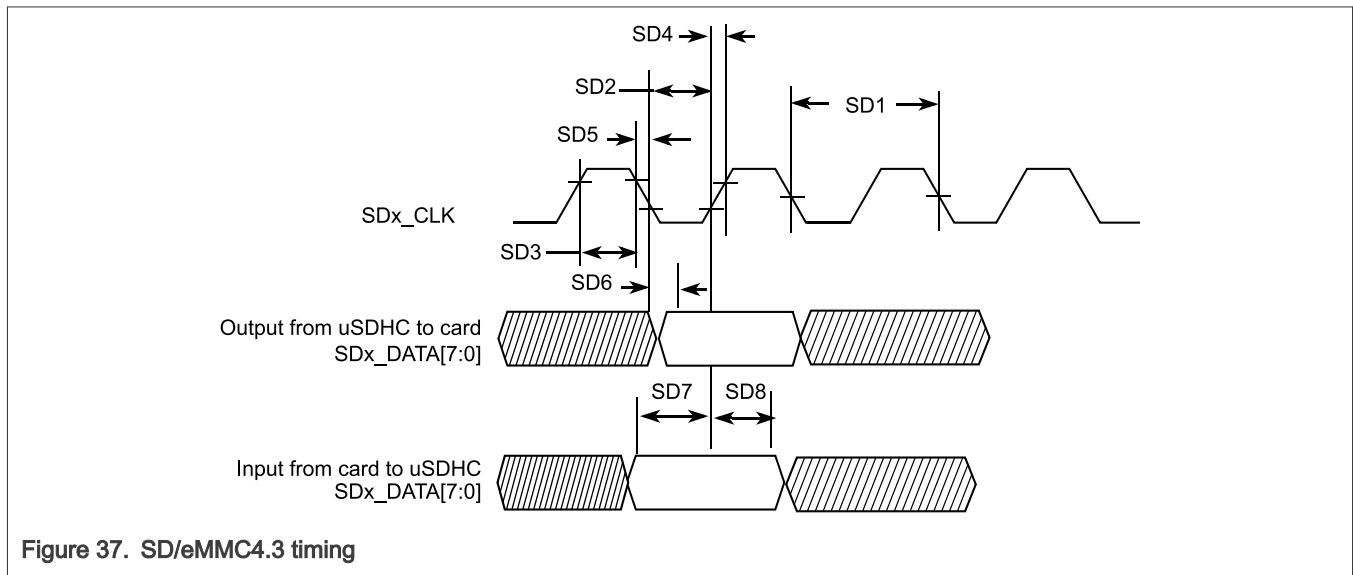


Figure 37. SD/eMMC4.3 timing

Table 75. SD/eMMC4.3 interface timing specification

ID	Parameter	Symbols	Min	Max	Unit
<b>Card Input Clock</b>					
SD1	Clock Frequency (Low Speed)	$f_{PP}^{[1]}$	0	400	kHz
	Clock Frequency (SD/SDIO Full Speed/High Speed)	$f_{PP}^{[2]}$	0	25/50	MHz
	Clock Frequency (MMC Full Speed/High Speed)	$f_{PP}^{[3]}$	0	20/52	MHz
	Clock Frequency (Identification Mode)	$f_{OD}$	100	400	kHz
SD2	Clock Low Time	$t_{WL}$	7	—	ns
SD3	Clock High Time	$t_{WH}$	7	—	ns
SD4	Clock Rise Time	$t_{TLH}$	—	3	ns

Table continues on the next page...

Table 75. SD/eMMC4.3 interface timing specification...continued

ID	Parameter	Symbols	Min	Max	Unit
SD5	Clock Fall Time	$t_{THL}$	—	3	ns
<b>uSDHC Output/Card Inputs SD_CMD, SDx_DATAx (Reference to CLK)</b>					
SD6	uSDHC Output Delay	$t_{OD}$	-6.6	3.6	ns
<b>uSDHC Input/Card Outputs SD_CMD, SDx_DATAx (Reference to CLK)</b>					
SD7	uSDHC Input Setup Time	$t_{ISU}$	2.5	—	ns
SD8	uSDHC Input Hold Time <sup>[4]</sup>	$t_{IH}$	1.5	—	ns

- [1] In low speed mode, card clock must be lower than 400 kHz, voltage ranges from 2.7 to 3.6 V.
- [2] In normal (full) speed mode for SD/SDIO card, clock frequency can be any value between 0–25 MHz. In high-speed mode, clock frequency can be any value between 0–50 MHz.
- [3] In normal (full) speed mode for MMC card, clock frequency can be any value between 0–20 MHz. In high-speed mode, clock frequency can be any value between 0–52 MHz.
- [4] To satisfy hold timing, the delay difference between clock input and cmd/data input must not exceed 2 ns.

4.6.7.2 eMMC4.4/4.41 (dual data rate) AC timing

Figure 38 depicts the timing of eMMC4.4/4.41. Table 76 lists the eMMC4.4/4.41 timing characteristics. Be aware that only DATA is sampled on both edges of the clock (not applicable to CMD).

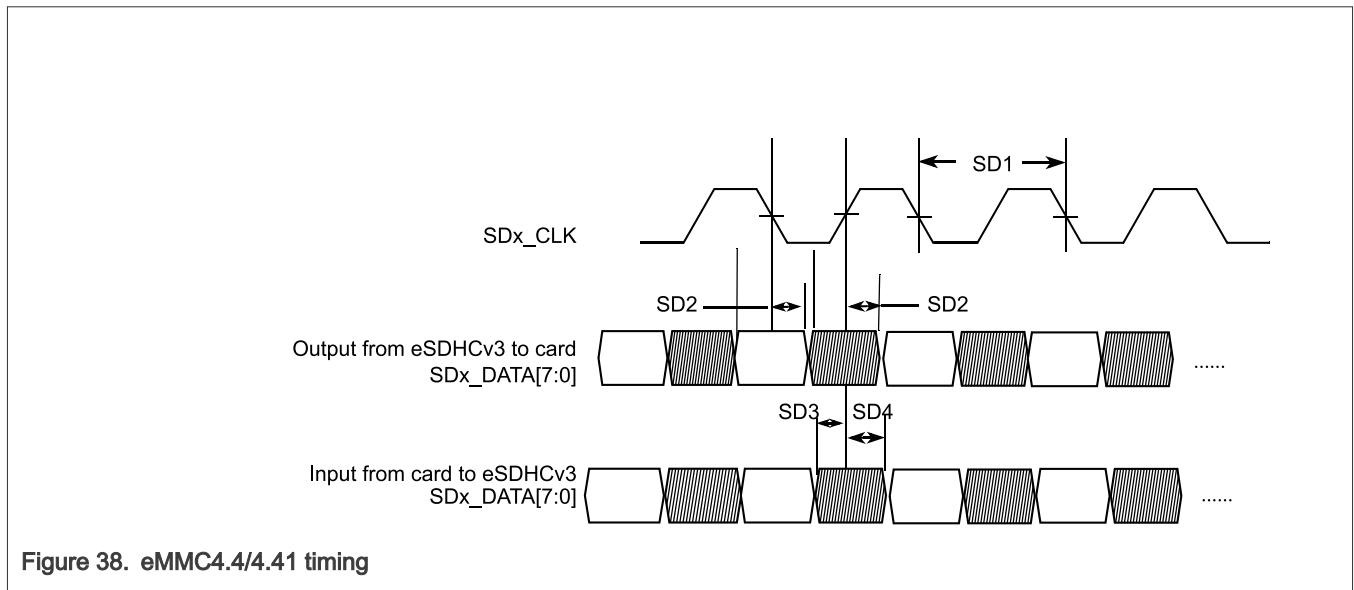


Figure 38. eMMC4.4/4.41 timing

Table 76. eMMC4.4/4.41 interface timing specification

ID	Parameter	Symbols	Min	Max	Unit
<b>Card Input Clock</b>					
SD1	Clock Frequency (eMMC4.4/4.41 DDR) <ul style="list-style-type: none"> <li>• OD mode</li> <li>• SD mode</li> <li>• MD mode</li> </ul>	$f_{PP}$	0	52 50 40	MHz
SD1	Clock Frequency (SD3.0 DDR)	$f_{PP}$	0		MHz

Table continues on the next page...

Table 76. eMMC4.4/4.41 interface timing specification...continued

ID	Parameter	Symbols	Min	Max	Unit
	<ul style="list-style-type: none"> <li>• OD mode</li> <li>• SD mode</li> <li>• MD mode</li> </ul>			50	
				50	
				40	
<b>uSDHC Output / Card Inputs SD_CMD, SDx_DATAx (Reference to CLK)</b>					
SD2	uSDHC Output Delay	$t_{OD}$	2.5	7.1	ns
<b>uSDHC Input / Card Outputs SD_CMD, SDx_DATAx (Reference to CLK)</b>					
SD3	uSDHC Input Setup Time	$t_{ISU}$	1.7	—	ns
SD4	uSDHC Input Hold Time	$t_{IH}$	1.5	—	ns

4.6.7.3 SDR50 AC timing

Figure 39 depicts the timing of SDR50, and Table 77 lists the SDR50 timing characteristics.

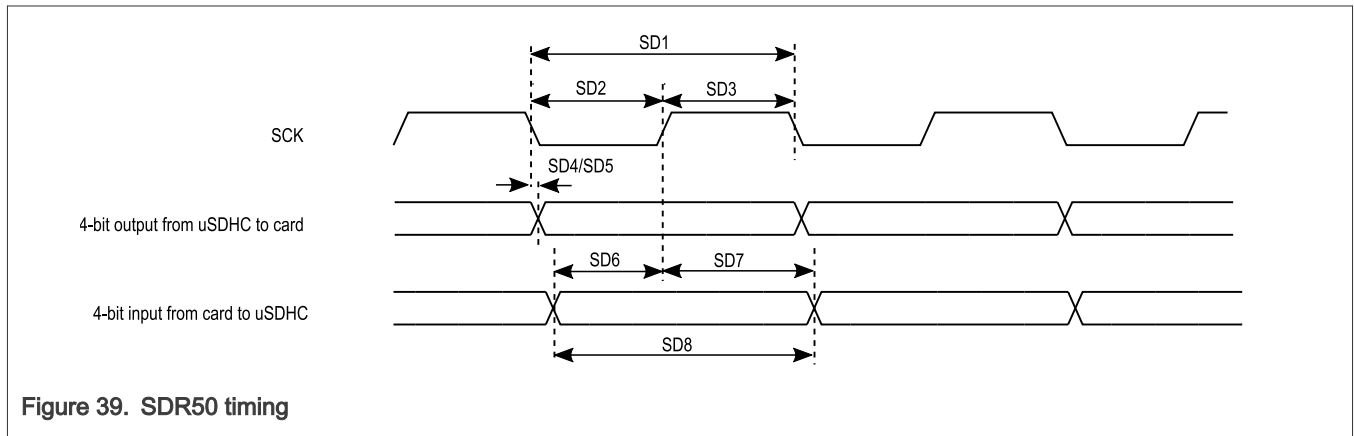


Figure 39. SDR50 timing

Table 77. SDR50 interface timing specification

ID	Parameter	Symbol	Min	Max	Unit
<b>Card Input Clock</b>					
SD1	Clock Frequency Period	$t_{CLK}$	10.0	—	ns
	<ul style="list-style-type: none"> <li>• OD mode</li> <li>• SD mode</li> <li>• MD mode</li> </ul>		19.23		
			19.23		
SD2	Clock Low Time	$t_{CL}$	$0.46 \times t_{CLK}$	$0.54 \times t_{CLK}$	ns
SD3	Clock High Time	$t_{CH}$	$0.46 \times t_{CLK}$	$0.54 \times t_{CLK}$	ns
<b>uSDHC Output/Card Inputs SD_CMD, SDx_DATAx in SDR50 (Reference to CLK)</b>					
SD4	uSDHC Output Delay	$t_{OD}$	-3	1	ns
<b>uSDHC Input/Card Outputs SD_CMD, SDx_DATAx in SDR50 (Reference to CLK)</b>					
SD6	uSDHC Input Setup Time	$t_{ISU}$	2.5	—	ns

Table continues on the next page...

Table 77. SDR50 interface timing specification...continued

ID	Parameter	Symbol	Min	Max	Unit
SD7	uSDHC Input Hold Time	$t_{IH}$	1.5	—	ns

#### 4.6.8 CAN switching specifications

See [General switching specifications](#).

#### 4.6.9 SINC timing

Table 78. SINC timing

Symbol	Description	Min	Typ	Max	Unit	Condition	Spec Number
MCLK	External modulator clock frequency	0.02	—	40	MHz	—	—
MMCLK	Manchester modulator clock frequency	—	—	15	MHz	Clock recovered internally using External Modulator bit	—
TS1	Setup time from data valid to clock high	2	—	—	ns	—	—
TH1	Hold time from clock high to data valid	2	—	—	ns	—	—
TS2	Setup time from data valid to clock low	2	—	—	ns	—	—
TH2	Hold time from clock low to data valid	2	—	—	ns	—	—
TS3	Setup time from data valid to clock high	2	—	—	ns	—	—
TH3	Hold time from clock high to data valid	2	—	—	ns	—	—
TS4	Setup time from data valid to clock low	2	—	—	ns	—	—
TH4	Hold time from clock low to data valid	2	—	—	ns	—	—

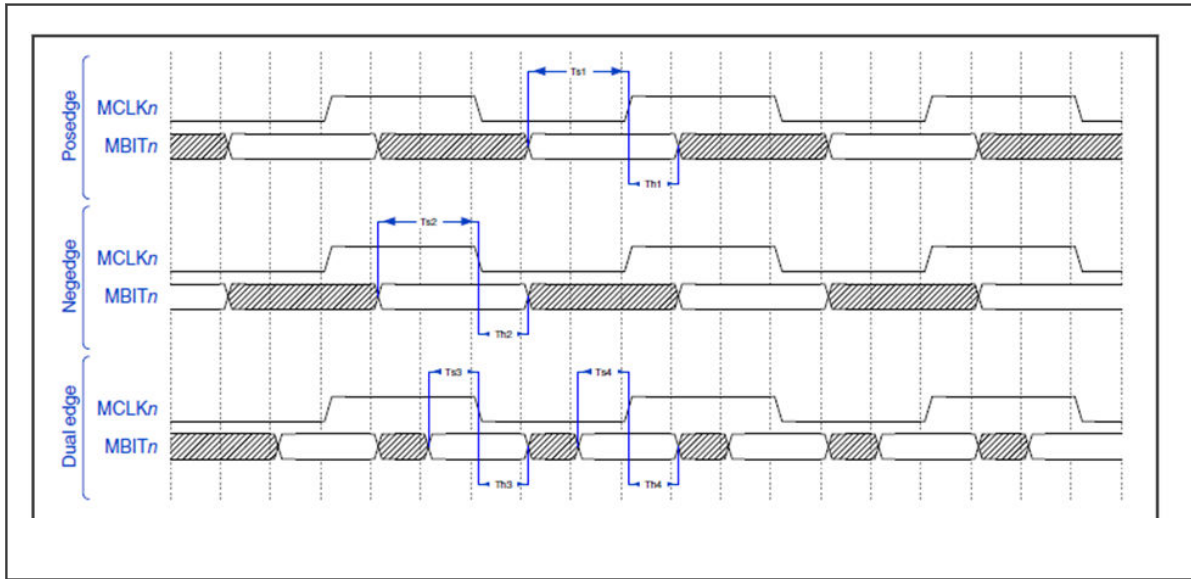


Figure 40. SINC timing

#### 4.6.10 I2S/SAI switching specifications

This section provides the AC timing for the I2S/SAI module in master mode (clocks are driven) and slave mode (clocks are input). All timing is given for non-inverted serial clock polarity (TCR2[BCP] = 0 and RCR2[BCP] = 0) and a non-inverted frame sync (TCR4[FSP] = 0 and RCR4[FSP] = 0). If the polarity of the clock and/or the frame sync have been inverted, all the timing remains valid by inverting the bit clock signal (BCLK) and/or the frame sync (FS) signal shown in the following figures.

All timing shown is also with respect to input signal transitions of 3 ns and a 50 pF maximum load.

Table 79. I2S/SAI master mode timing

Num.	Characteristic	Min.	Max.	Unit
	Operating voltage	1.71	3.6	V
S1	I2S_MCLK cycle time <ul style="list-style-type: none"> <li>• OD mode</li> <li>• SD mode</li> <li>• MD mode</li> </ul>	20 25 28.6	—	ns
S2	I2S_MCLK pulse width high/low	45%	55%	MCLK period
S3	I2S_TX_BCLK/I2S_RX_BCLK cycle time (output)	40	—	ns
S4	I2S_TX_BCLK/I2S_RX_BCLK pulse width high/low	45%	55%	BCLK period
S5	I2S_TX_BCLK/I2S_RX_BCLK to I2S_TX_FS/ I2S_RX_FS output valid	—	8.4	ns
S6	I2S_TX_BCLK/I2S_RX_BCLK to I2S_TX_FS/ I2S_RX_FS output invalid	1	—	ns
S7	I2S_TX_BCLK to I2S_TXD valid	—	10	ns
S8	I2S_TX_BCLK to I2S_TXD invalid	1	—	ns

Table continues on the next page...

Table 79. I2S/SAI master mode timing...continued

Num.	Characteristic	Min.	Max.	Unit
S9	I2S_RXD/I2S_RX_FS input setup before I2S_RX_BCLK <ul style="list-style-type: none"> <li>• P2 and P3</li> <li>• P1</li> </ul>	14 15.6	—	ns
S10	I2S_RXD/I2S_RX_FS input hold after I2S_RX_BCLK	0	—	ns

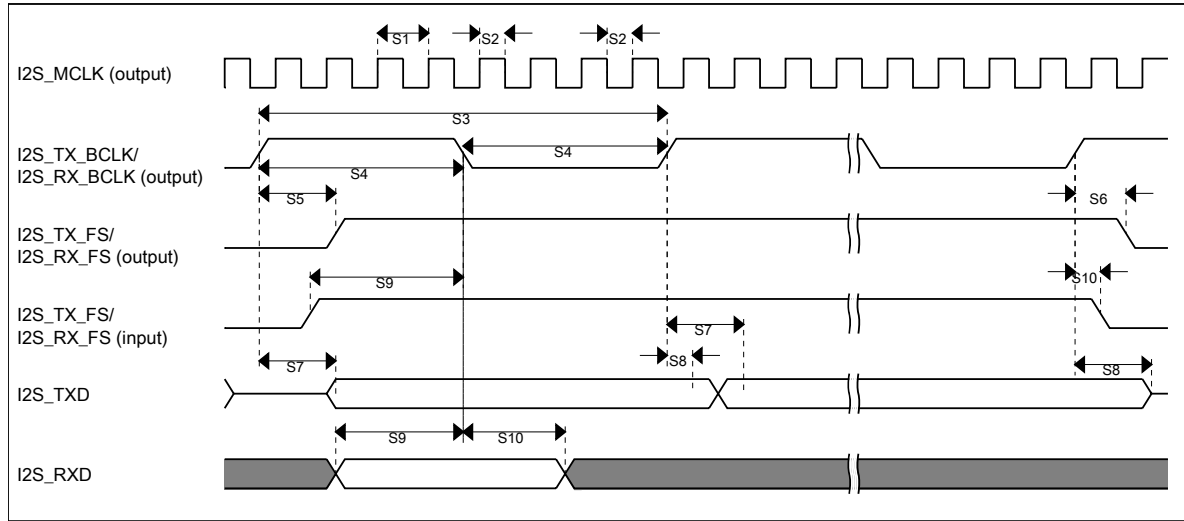


Figure 41. I2S/SAI timing — master modes

Table 80. I2S/SAI slave mode timing

Num.	Characteristic	Min.	Max.	Unit
	Operating voltage	1.71	3.6	V
S11	I2S_TX_BCLK/I2S_RX_BCLK cycle time (input) <ul style="list-style-type: none"> <li>• OD mode</li> <li>• SD mode</li> <li>• MD mode</li> </ul>	40 50 50	—	ns
S12	I2S_TX_BCLK/I2S_RX_BCLK pulse width high/low (input)	45%	55%	MCLK period
S13	I2S_TX_FS/I2S_RX_FS input setup before I2S_TX_BCLK/I2S_RX_BCLK	6	—	ns
S14	I2S_TX_FS/I2S_RX_FS input hold after I2S_TX_BCLK/I2S_RX_BCLK	2	—	ns
S15	I2S_TX_BCLK to I2S_TXD/I2S_TX_FS output valid	—	20	ns
S16	I2S_TX_BCLK to I2S_TXD/I2S_TX_FS output invalid	-1.5	—	ns

Table continues on the next page...

Table 80. I2S/SAI slave mode timing...continued

Num.	Characteristic	Min.	Max.	Unit
S17	I2S_RXD setup before I2S_RX_BCLK	6	—	ns
S18	I2S_RXD hold after I2S_RX_BCLK	2	—	ns
S19	I2S_TX_FS input assertion for I2S_TXD output valid [1]	—	25	ns

[1] Applies to first in each frame and only if the TCR4[FSE] bit is clear

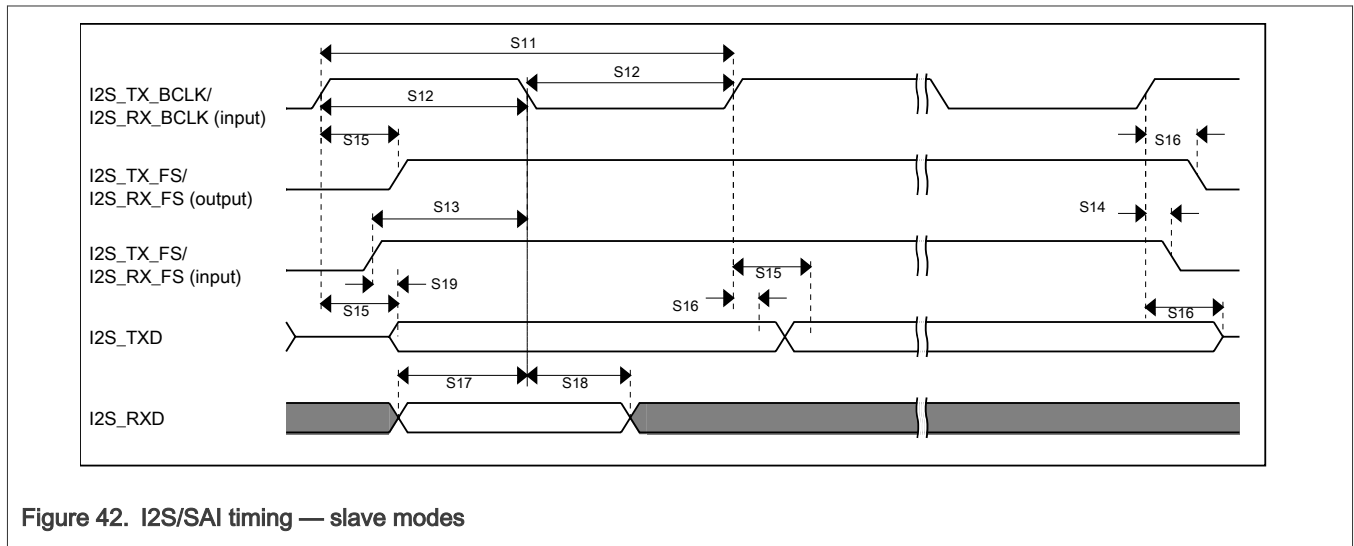


Figure 42. I2S/SAI timing — slave modes

### 4.6.11 Flexible IO controller (FlexIO)

Table 81. FlexIO Timing Specifications

Symbol	Description	Min	Typ	Max	Unit	Notes
t <sub>ODS</sub>	Output delay skew between any two FlexIO_Dx pins configured as outputs that toggle on same internal clock cycle	0		8	ns	[1]
t <sub>IDS</sub>	Input delay skew between any two FlexIO_Dx pins configured as inputs that are sampled on the same internal clock cycle	0		8	ns	[1]

[1] Assumes pins muxed on same VDD\_Px domain with same load

### 4.6.12 EMVSIM specifications

Each EMV SIM module interface consists of a total of five pins.

The interface is designed to be used with synchronous Smart cards, meaning the EMV SIM module provides the clock used by the Smart card. The clock frequency is typically 372 times the Tx/Rx data rate; however, the EMV SIM module can also work with CLK frequencies of 16 times the Tx/Rx data rate.

There is no timing relationship between the clock and the data. The clock that the EMV SIM module provides to the Smart card is used by the Smart card to recover the clock from the data in the same manner as standard UART data exchanges. All five signals of the EMV SIM module are asynchronous with each other.

The smart card is initiated by the interface device; the Smart card responds with Answer to Reset. Although the EMV SIM interface has no defined requirements, the ISO/IEC 7816 defines reset and power-down sequences (for detailed information see ISO/IEC 7816).

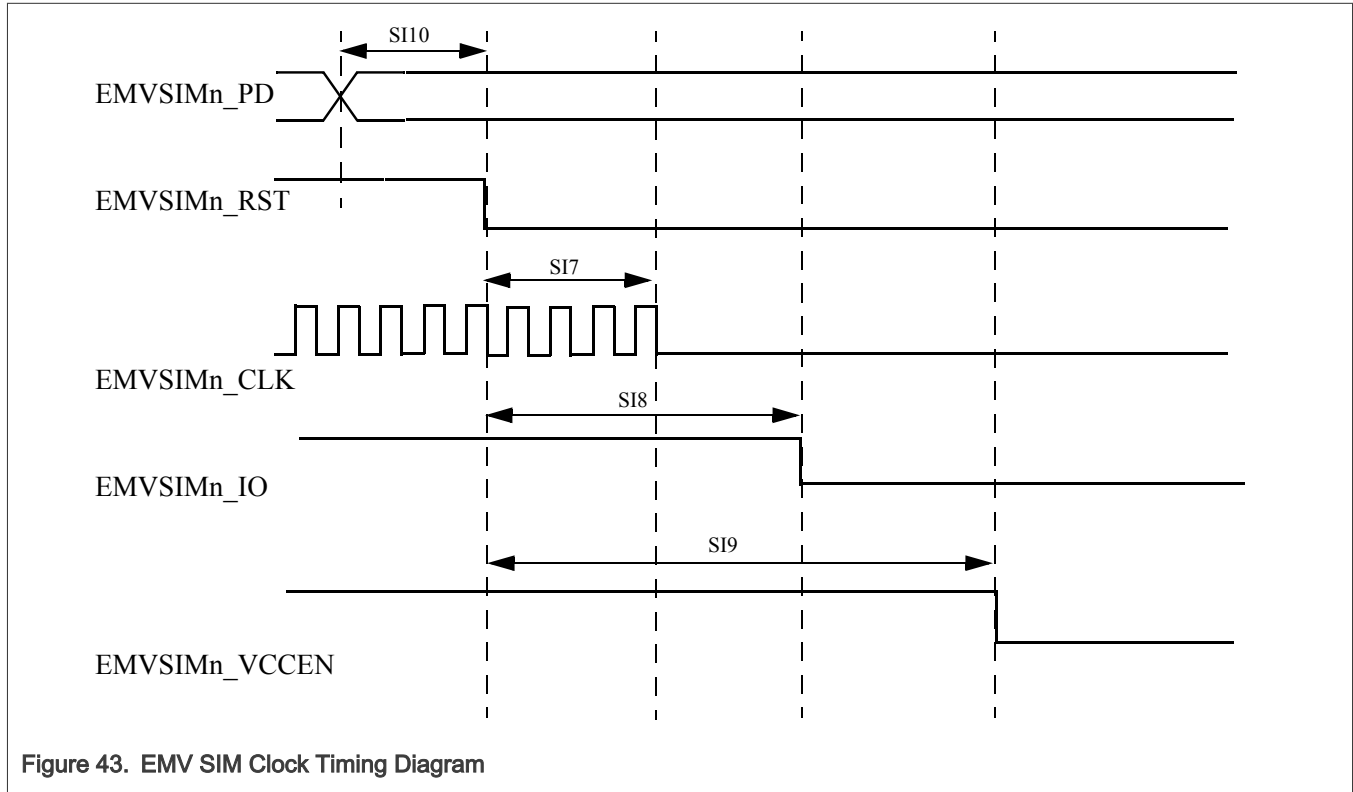


Figure 43. EMV SIM Clock Timing Diagram

The following table defines the general timing requirements for the EMV SIM interface.

Table 82. Timing Specifications, High Drive Strength

ID	Parameter	Symbol	Min	Max	Unit
SI1	EMV SIM clock frequency (EMVSIMn_CLK) <sup>[1]</sup>	S <sub>freq</sub>	1	5	MHz
SI2	EMV SIM clock rise time (EMVSIMn_CLK) <sup>[2]</sup>	S <sub>rise</sub>	—	0.08 × (1/Sfreq)	ns
SI3	EMV SIM clock fall time (EMVSIMn_CLK) <sup>[2]</sup>	S <sub>fall</sub>	—	0.08 × (1/Sfreq)	ns
SI4	EMV SIM input transition time (EMVSIMn_IO, EMVSIMn_PD)	S <sub>tran</sub>	20	25	ns
SI5	EMV SIM I/O rise time / fall time (EMVSIMn_IO) <sup>[3]</sup>	Tr/Tf	—	0.8	µs
SI6	EMV SIM RST rise time / fall time (EMVSIMn_RST) <sup>[4]</sup>	Tr/Tf	—	0.8	µs

[1] 50 % duty cycle clock,  
 [2] With C = 50 pF  
 [3] With Cin = 30 pF, Cout = 30 pF,  
 [4] With Cin = 30 pF,

#### 4.6.12.1 EMVSIM Reset Sequences

Smart cards may have internal reset, or active low reset. The following subset describes the reset sequences in these two cases.

##### 4.6.12.1.1 Smart Cards with Internal Reset

Following figure shows the reset sequence for Smart cards with internal reset. The reset sequence comprises the following steps:

- After power-up, the clock signal is enabled on EMVSIMn\_CLK (time T0)
- After 200 clock cycles, EMVSIMn\_IO must be asserted.
- The card must send a response on EMVSIMn\_IO acknowledging the reset between 400–40000 clock cycles after T0.

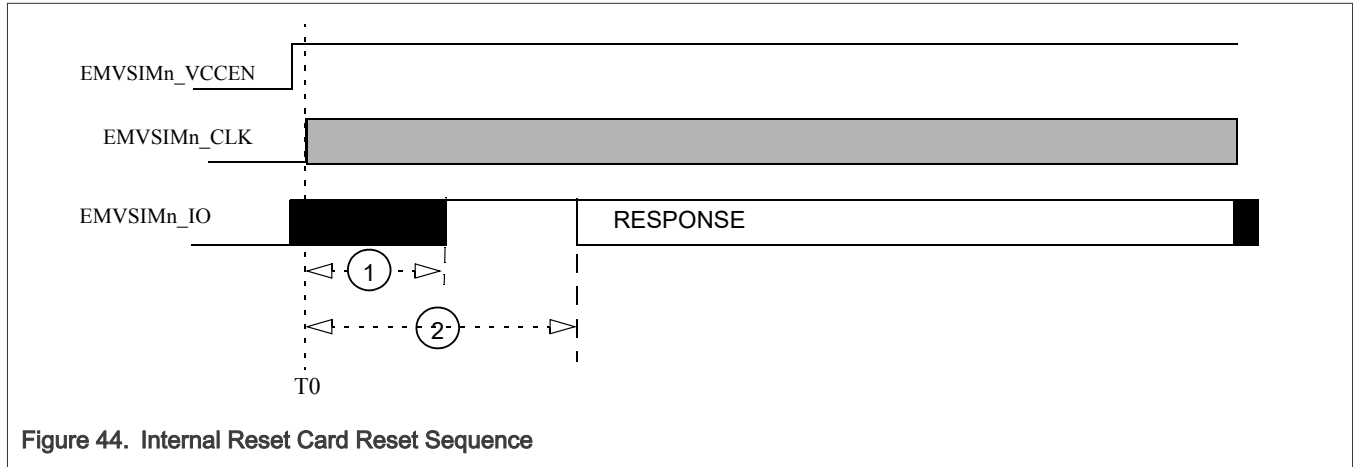


Figure 44. Internal Reset Card Reset Sequence

The following table defines the general timing requirements for the SIM interface.

Table 83. Timing Specifications, Internal Reset Card Reset Sequence

Ref	Min	Max	Units
1	—	200	EMVSimx_CLK clock cycles
2	400	40,000	EMVSimx_CLK clock cycles

#### 4.6.12.1.2 Smart Cards with Active Low Reset

Following figure shows the reset sequence for Smart cards with active low reset. The reset sequence comprises the following steps:

- After power-up, the clock signal is enabled on EMVSimn\_CLK (time T0)
- After 200 clock cycles, EMVSimn\_IO must be asserted.
- EMVSimn\_RST must remain low for at least 40,000 clock cycles after T0 (no response is to be received on RX during those 40,000 clock cycles)
- EMVSimn\_RST is asserted (at time T1)
- EMVSimn\_RST must remain asserted for at least 40,000 clock cycles after T1, and a response must be received on EMVSimn\_IO between 400 and 40,000 clock cycles after T1.

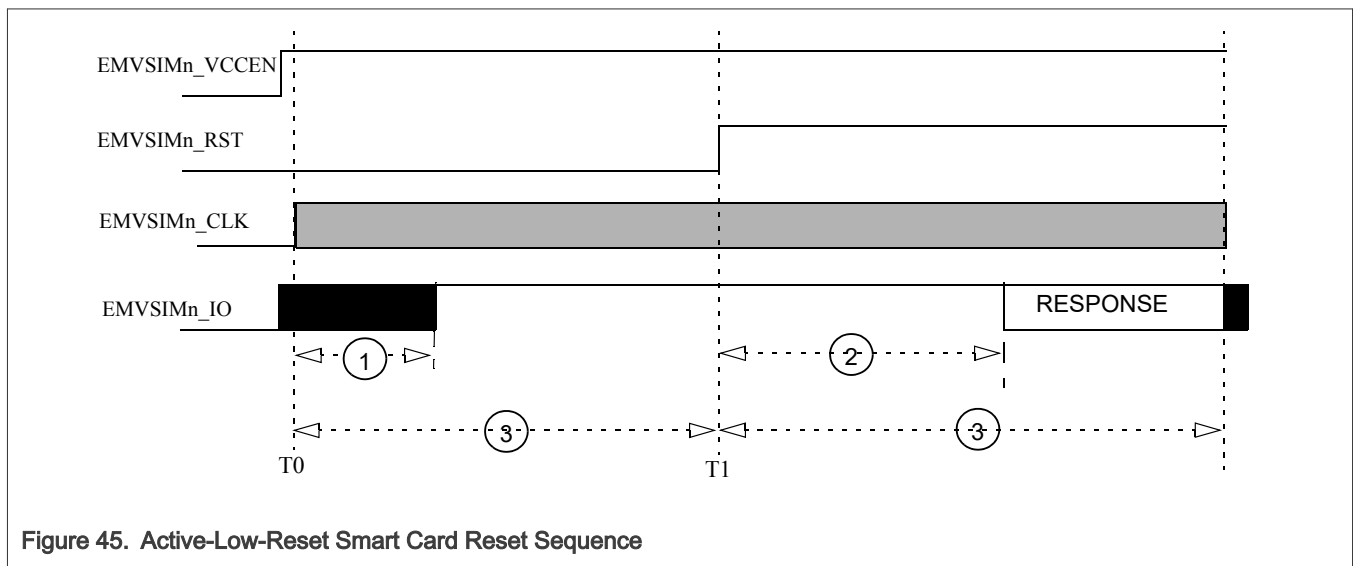


Figure 45. Active-Low-Reset Smart Card Reset Sequence

The following table defines the general timing requirements for the EMVSIM interface.

Table 84. Timing Specifications, Internal Reset Card Reset Sequence

Ref No	Min	Max	Units
1	—	200	EMVSIMx_CLK clock cycles
2	400	40,000	EMVSIMx_CLK clock cycles
3	40,000	—	EMVSIMx_CLK clock cycles

4.6.12.2 EMVSIM Power-Down Sequence

Following figure shows the EMVSIM interface power-down AC timing diagram. [Timing Requirements for Power-down Sequence](#) table shows the timing requirements for parameters (SI7–SI10) shown in the figure. The power-down sequence for the EMV SIM interface is as follows:

- EMVSIMn\_SIMPD port detects the removal of the Smart Card
- EMVSIMn\_RST is negated
- EMVSIMn\_CLK is negated
- EMVSIMn\_IO is negated
- EMVSIMx\_VCCENy is negated

Each of the above steps requires one OSC32KCLK period (usually 32 kHz, also known as rtclk in below figure). Power-down may be initiated by a Smart card removal detection; or it may be launched by the processor.

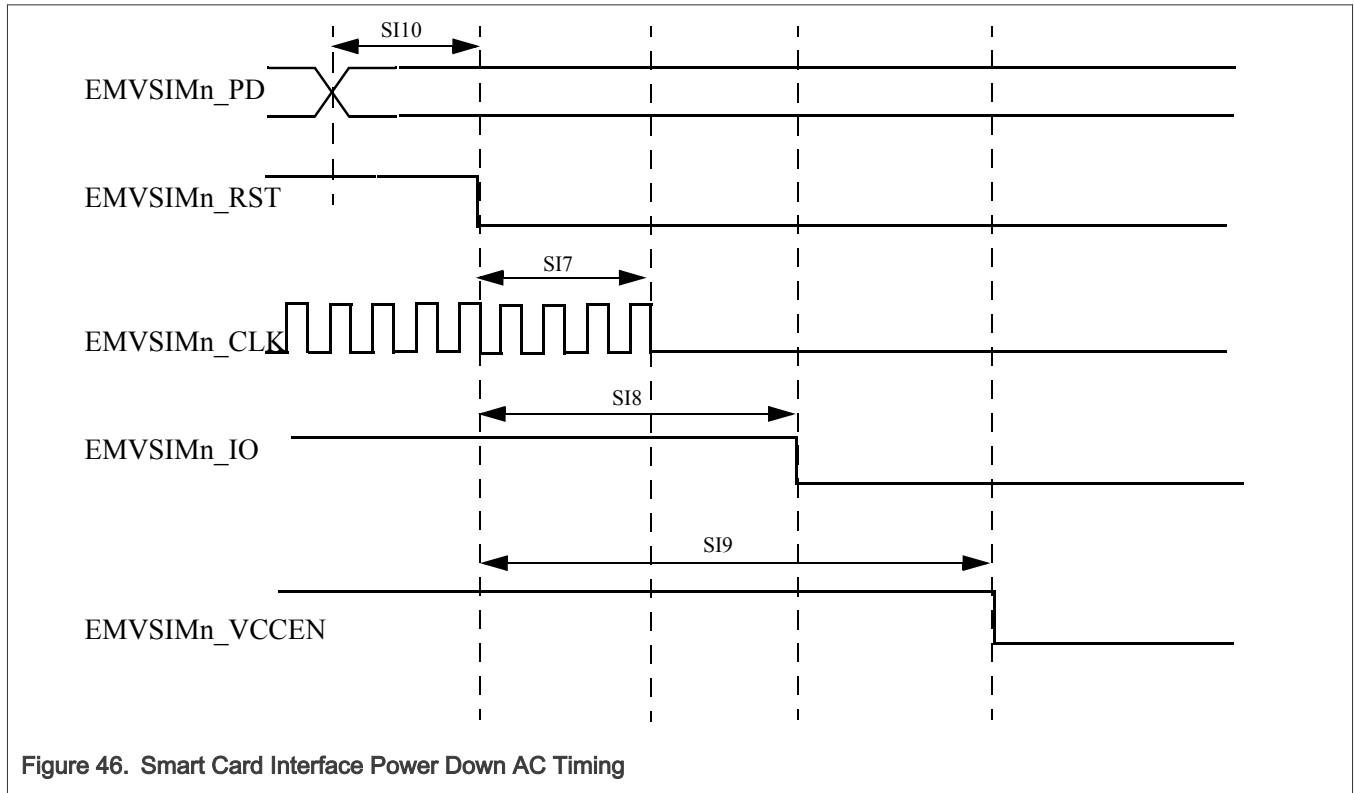


Figure 46. Smart Card Interface Power Down AC Timing

Table 85. Timing Requirements for Power-down Sequence

Ref No	Parameter	Symbol	Min	Max	Units
SI7	EMVSIM reset to SIM clock stop	$S_{rst2clk}$	$0.9 \times 1/Frtclk^{[1]}$	$1.1 \times 1/Frtclk$	$\mu s$
SI8	EMVSIM reset to SIM Tx data low	$S_{rst2dat}$	$1.8 \times 1/Frtclk$	$2.2 \times 1/Frtclk$	$\mu s$
SI9	EMVSIM reset to SIM voltage enable low	$S_{rst2ven}$	$2.7 \times 1/Frtclk$	$3.3 \times 1/Frtclk$	$\mu s$
SI10	EMVSIM presence detect to SIM reset low	$S_{pd2rst}$	$0.9 \times 1/Frtclk$	$1.1 \times 1/Frtclk$	$\mu s$

[1] Frtclk is OSC32KCLK, and this clock must be enabled during the power down sequence.

**Note:** Same timing is also followed when auto power down is initiated. See Reference Manual for reference.

### 4.6.13 Ethernet Controller (ENET) AC Electrical specifications

#### 4.6.13.1 MII electrical specifications

Table 86. MII electrical specifications

Symbol	Description	Min	Typ	Max	Unit	Condition
$t_{CYC\_RX}$	RX_CLK period <sup>[1]</sup>		40 / 400		ns	10/100 Mbps
$\Delta t_{CYC\_RX}$	RX_CLK duty cycle ( $t_{PWH} / t_{CYC}$ )	45		55	%	
$t_S$	Input setup time to RX_CLK <sup>[2]</sup>	5			ns	10/100 Mbps
$t_H$	Input hold time to RX_CLK <sup>[2]</sup>	5			ns	10/100 Mbps
$t_{CYC\_TX}$	TX_CLK period <sup>[3],[1]</sup>		40/400		ns	10/100 Mbps, SRE[2:0] = 100
$\Delta t_{CYC\_TX}$	TX_CLK duty cycle ( $t_{PWH} / t_{CYC}$ ) <sup>[3]</sup>	45		55	%	SRE[2:0] = 100
$t_D$	Output delay from TX_CLK <sup>[3]</sup>	2		25	ns	10/100 Mbps, SRE[2:0] = 100

[1] MII is only supported in OD and SD mode.

[2] Input timing assumes an input signal slew rate of 3 ns (20%/80%).

[3] Output timing valid for maximum external load  $CL = 25$  pF, which is assumed to be a 10 pF load at the end of a 50 Ohms, unterminated, 5 inch microstrip trace on standard FR4 (1.5 pF/inch), (25 pF total with margin). For best signal integrity, the series resistance of the transmission line should be matched closely to the RDSO of the I/O pad output driver

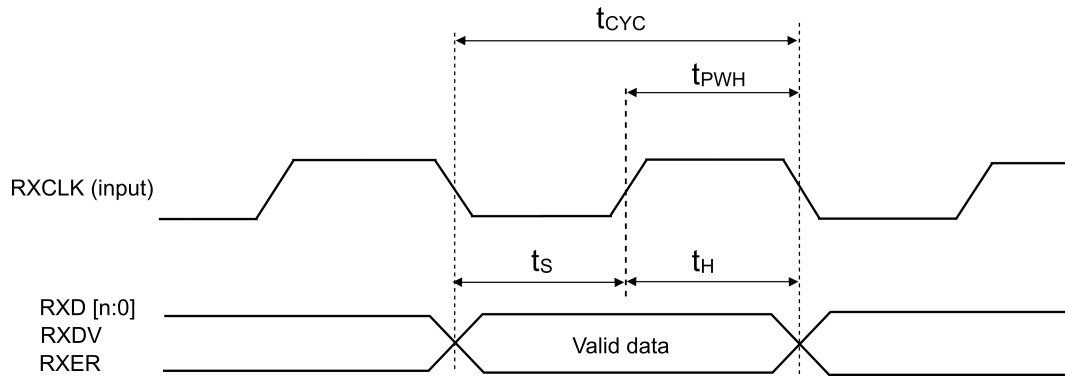


Figure 47. MII Receive Timing

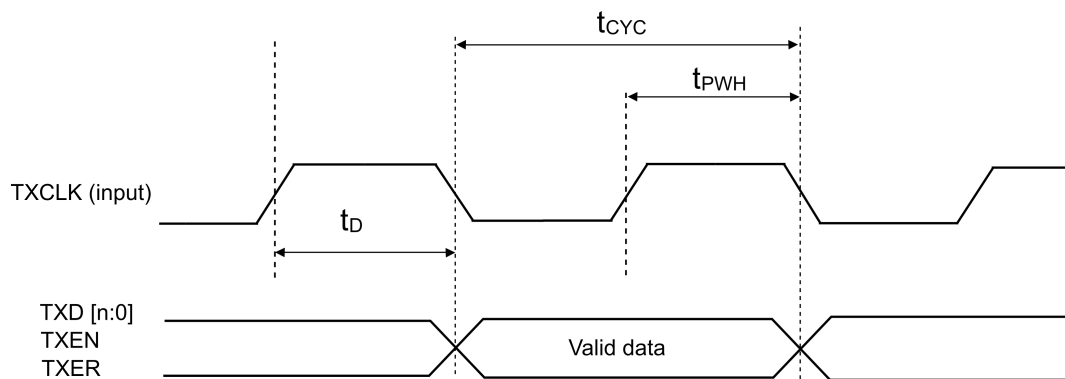


Figure 48. MII Transmit Timing

### 4.6.13.2 RMII

RMII interface is matching RMII v1.2 specification. In RMII mode, the reference clock can be generated internally and provided to the PHY through RCLK50M\_OUT, or it comes from an external 50 MHz clock generator which is connected to the PHY and to SoC through RCLK50M\_IN pin.

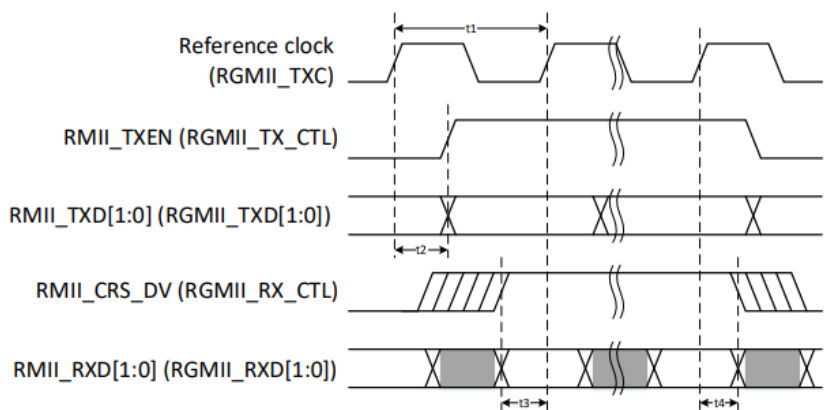


Figure 49. RMII timing diagram

Timings in table below are covering both cases: reference clock generated internally or externally.

Table 87. RMII timing

ID	Parameter	Min	Typ	Max	Unit
t1	Reference clock <sup>[1]</sup>	—	50	—	MHz
	Reference clock accuracy	—	—	50	ppm
	Reference clock duty cycle	35	—	65	%
t2	RMII_TXEN, RMII_TXD output delay	2	—	16	ns
t3	RMII_CRS_DV, RMII_RXD setup time	4	—	—	ns
t4	RMII_CRS_DV, RMII_RXD hold time	2	—	—	ns

[1] RMII is supported in OD and SD mode.

### 4.6.13.3 MDIO

MDIO is the control link used to configure Ethernet PHY connected to SoC.

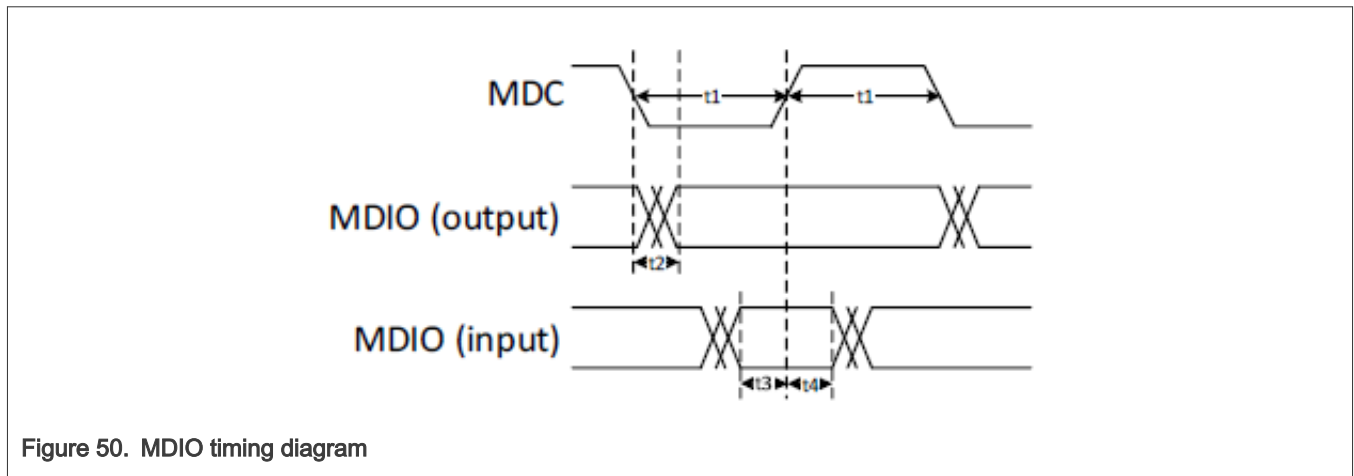


Figure 50. MDIO timing diagram

Table 88. MDIO timing

ID	Parameter	Min	Typ	Max	Unit
	MDC frequency	—	2.5	—	MHz
t1	MDC high / low pulse width	180	—	—	%
t2	MDIO output delay	0	—	20	ns
t3	MDIO setup time	10	—	—	ns
t4	MDIO hold time	10	—	—	ns

## 4.7 Human Machine Interface (HMI) modules

### 4.7.1 Touch sensing input (TSI) electrical specifications

Table 89. TSI electrical Specs

Symbol	Description	Min	Typ	Max	Unit	Notes
I <sub>DD_EN</sub>	Power consumption in operation mode	–	500	600	μA	
I <sub>DD_DIS</sub>	Power consumption in disable mode	–	20	355	nA	
V <sub>BG</sub>	Internal bandgap reference voltage	–	1.21	–	V	
V <sub>PRE</sub>	Internal bias voltage	–	1.51	–	V	
C <sub>I</sub>	Internal integration capacitance	–	90	–	pF	
F <sub>CLK</sub>	Internal main clock frequency	–	16	–	MHz	

### 4.7.2 Microphone (MIC)

The PDM microphones must meet the setup and hold timing requirements shown in [Table 90](#) and [Figure 51](#). The "k" factor value in [Table 90](#) depends on the selected quality mode as shown in [Table 91](#).

Table 90. Timing Parameters

Parameter	Value
tr <sub>s</sub> , tf <sub>s</sub>	$\leq \lceil \text{floor}(K \times \text{CLKDIV}) - 1 \rceil / [\text{functional clock rate}]^{[1]}$
tr <sub>h</sub> , tf <sub>h</sub>	$\geq 0$

[1] Depending on K value, the user must make sure  $\text{floor}(K \times \text{CLKDIV}) > 1$  to avoid timing problems

Table 91. K factor value

Quality mode	K factor
High Quality	1/2
Medium Quality, Very Low Quality 0	1
Low Quality, Very Low Quality 1	2
Very Low Quality 2	4

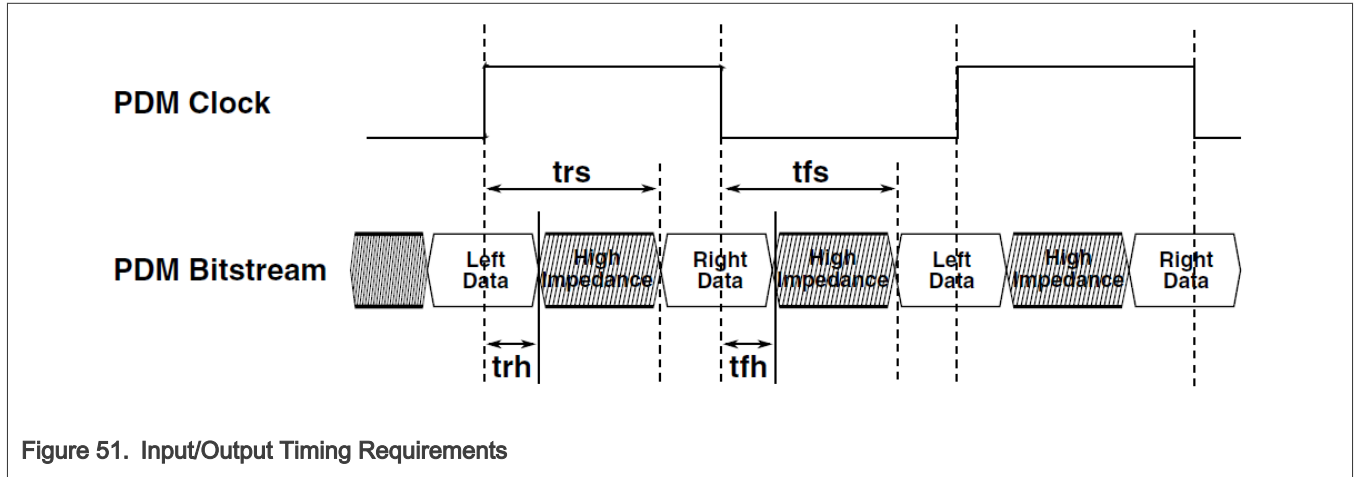


Figure 51. Input/Output Timing Requirements

### 4.7.3 General Purpose Input/Output (GPIO)

See [General switching specifications](#).

## 4.8 Security modules

### 4.8.1 Tamper

Table 92. Tamper electrical specifications

Symbol	Description	Min	Typ	Max	Unit	Notes
	Tamper pin VBAT operating voltage	1.613	--	3.848	V	
	Tamper pin operating temperature	-64	--	143	°C	[1]
	Temperature Tamper Detect assertion					[1]
	• low temperature detect	-64	-50	-38	°C	
	• high temperature detect	128	135	143	°C	
	Temperature Tamper No flag range	-37		125	°C	[1]
	Temperature tamper detect VBAT operating voltage	1.613	--	3.848	V	
	Low Voltage Detect Threshold	1.613	1.656	1.698	V	
	High Voltage Detect Threshold	3.65	3.75	3.848	V	
	Voltage Tamper Detect operational temperature					[1]
	• no false alarms	-38		125	°C	
	• with possible false alarms	-64		143	°C	
	Clock tamper detect assertion	Refer to VBAT chapter in SRM				
	Clock tamper detect VBAT operating voltage	1.613	--	3.848	V	
	Clock tamper detect operating temperature	-64	--	143	°C	[1]

[1] Temperature specifications in this table are all for junction temperature.

## 5 Package dimensions

### 5.1 Obtaining package dimensions

Package dimensions are provided in package drawings.

To find a package drawing, go to [nxp.com](http://nxp.com) and perform a keyword search for the drawing's document number:

If you want the drawing for this package	Then use this document number
VFBGA184	98ASA01888D
HLQFP100	98ASA02131D
HDQFP172	98ASA01107D

## 6 Pinout

### 6.1 MCX N9xx/N5xx/N24x Signal Multiplexing and Pin Assignments

The signal multiplexing and pin assignments are provided in an Excel file attached to this document:

1. Click the paperclip symbol on the left side of the PDF window.
2. Double-click on the Excel file to open it.
3. Select the MCX\_N94\_N53\_N52\_N24\_Pinmux tab.

The Port Control Module is responsible for selecting which ALT functionality is available on each pin.

However, pinout table is also given below:

Table 93. pinmux

Pin Name	184BGA ALL	172HDQFP ALL	100HLQFP N94	100HLQFP N54/N53/N52/N 24	Pinmux Assignment	Pad Settings	Alternate Functions
P1_8	A1	172	1	1	<b>ALT0</b> - P1_8 <b>ALT1</b> - TRACE_DATA0 <b>ALT2</b> - FC4_P0 <b>ALT3</b> - FC5_P4 <b>ALT4</b> - CT_INP8 <b>ALT5</b> - SCT0_OUT2 <b>ALT6</b> - FLEXIO0_D16 <b>ALT7</b> - SMARTDMA_PIO4 <b>ALT8</b> - PLU_OUT0 <b>ALT9</b> - ENET0_TXD2 <b>ALT10</b> - I3C1_SDA	<b>IO Supply</b> - VDD <b>Pad type</b> - MED+I2C+I3C <b>Default</b> - DIS	<b>ISP</b> - UART_RXD <b>ANALOG</b> - TSIO_CH17/ADC1_A8 <b>VDD SYS</b> - WUU0_IN10/ LPTMR1_ALT3

Table continues on the next page...

Table 93. pinmux...continued

Pin Name	184BGA ALL	172HDQFP ALL	100HLQFP N94	100HLQFP N54/N53/N52/N24	Pinmux Assignment	Pad Settings	Alternate Functions
P1_9	B1	1	2	2	<b>ALT0</b> - P1_9 <b>ALT1</b> - TRACE_DATA1 <b>ALT2</b> - FC4_P1 <b>ALT3</b> - FC5_P5 <b>ALT4</b> - CT_INP9 <b>ALT5</b> - SCT0_OUT3 <b>ALT6</b> - FLEXIO0_D17 <b>ALT7</b> - SMARTDMA_PIO5 <b>ALT8</b> - PLU_OUT1 <b>ALT9</b> - ENET0_TXD3 <b>ALT10</b> - I3C1_SCL	<b>IO Supply</b> - VDD <b>Pad type</b> - MED+I2C <b>Default</b> - DIS	<b>ISP</b> - UART_TXD <b>ANALOG</b> - TSI0_CH18/ADC1_A9
P1_10	C3	2	3	3	<b>ALT0</b> - P1_10 <b>ALT1</b> - TRACE_DATA2 <b>ALT2</b> - FC4_P2 <b>ALT3</b> - FC5_P6 <b>ALT4</b> - CT2_MAT0 <b>ALT5</b> - SCT0_IN2 <b>ALT6</b> - FLEXIO0_D18 <b>ALT7</b> - SMARTDMA_PIO6 <b>ALT8</b> - PLU_IN0 <b>ALT9</b> - ENET0_TXER <b>ALT11</b> - CAN0_TXD	<b>IO Supply</b> - VDD <b>Pad type</b> - MED <b>Default</b> - DIS	<b>ISP</b> - CAN_TXD <b>ANALOG</b> - TSI0_CH19/ADC1_A10
P1_11	D3	3	4	4	<b>ALT0</b> - P1_11 <b>ALT1</b> - TRACE_DATA3 <b>ALT2</b> - FC4_P3 <b>ALT4</b> - CT2_MAT1 <b>ALT5</b> - SCT0_IN3 <b>ALT6</b> - FLEXIO0_D19 <b>ALT7</b> - SMARTDMA_PIO7 <b>ALT8</b> - PLU_IN1 <b>ALT9</b> - ENET0_RX_CLK <b>ALT10</b> - I3C1_PUR <b>ALT11</b> - CAN0_RXD	<b>IO Supply</b> - VDD <b>Pad type</b> - MED <b>Default</b> - DIS	<b>ISP</b> - CAN_RXD <b>ANALOG</b> - TSI0_CH20/ADC1_A11 <b>VDD SYS</b> - WUU0_IN11

Table continues on the next page...

Table 93. pinmux...continued

Pin Name	184BGA ALL	172HDQFP ALL	100HLQFP N94	100HLQFP N54/N53/N52/N24	Pinmux Assignment	Pad Settings	Alternate Functions
P1_12	D2	4	5	5	<b>ALT0</b> - P1_12 <b>ALT1</b> - TRACE_CLK <b>ALT2</b> - FC4_P4 <b>ALT3</b> - FC3_P0 <b>ALT4</b> - CT2_MAT2 <b>ALT5</b> - SCT0_OUT4 <b>ALT6</b> - FLEXIO0_D20 <b>ALT7</b> - SMARTDMA_PIO8 <b>ALT8</b> - PLU_OUT2 <b>ALT9</b> - ENET0_RXER <b>ALT11</b> - CAN1_RXD	<b>IO Supply</b> - VDD <b>Pad type</b> - MED <b>Default</b> - DIS	<b>ANALOG</b> - TSI0_CH21/ADC1_A12 <b>VDD SYS</b> - WUU0_IN12
P1_13	D1	5	6	6	<b>ALT0</b> - P1_13 <b>ALT1</b> - TRIG_IN3 <b>ALT2</b> - FC4_P5 <b>ALT3</b> - FC3_P1 <b>ALT4</b> - CT2_MAT3 <b>ALT5</b> - SCT0_OUT5 <b>ALT6</b> - FLEXIO0_D21 <b>ALT7</b> - SMARTDMA_PIO9 <b>ALT8</b> - PLU_OUT3 <b>ALT9</b> - ENET0_RXDV <b>ALT11</b> - CAN1_TXD	<b>IO Supply</b> - VDD <b>Pad type</b> - MED <b>Default</b> - DIS	<b>ANALOG</b> - TSI0_CH22/ADC1_A13
P1_14	D4	6	7	7	<b>ALT0</b> - P1_14 <b>ALT2</b> - FC4_P6 <b>ALT3</b> - FC3_P2 <b>ALT4</b> - CT_INP10 <b>ALT5</b> - SCT0_IN4 <b>ALT6</b> - FLEXIO0_D22 <b>ALT7</b> - SMARTDMA_PIO10 <b>ALT8</b> - PLU_IN2 <b>ALT9</b> - ENET0_RXD0	<b>IO Supply</b> - VDD <b>Pad type</b> - MED <b>Default</b> - DIS	<b>ANALOG</b> - TSI0_CH23/ADC1_A14
P1_15	E4	7	8	8	<b>ALT0</b> - P1_15 <b>ALT3</b> - FC3_P3	<b>IO Supply</b> - VDD <b>Pad type</b> - MED	<b>ANALOG</b> - TSI0_CH24/ADC1_A15

Table continues on the next page...

Table 93. pinmux...continued

Pin Name	184BGA ALL	172HDQFP ALL	100HLQFP N94	100HLQFP N54/N53/N52/N24	Pinmux Assignment	Pad Settings	Alternate Functions
					<b>ALT4</b> - CT_INP11 <b>ALT5</b> - SCT0_IN5 <b>ALT6</b> - FLEXIO0_D23 <b>ALT7</b> - SMARTDMA_PIO11 <b>ALT8</b> - PLU_IN3 <b>ALT9</b> - ENET0_RXD1 <b>ALT10</b> - I3C1_PUR	<b>Default</b> - DIS	<b>VDD SYS</b> - WUU0_IN13
VSS	P14	--	--	--		<b>IO Supply</b> - VDD <b>Pad type</b> - VSSIO	
P1_16	F6	8	--	--	<b>ALT0</b> - P1_16 <b>ALT2</b> - FC5_P0 <b>ALT3</b> - FC3_P4 <b>ALT4</b> - CT_INP12 <b>ALT5</b> - SCT0_OUT6 <b>ALT6</b> - FLEXIO0_D24 <b>ALT7</b> - SMARTDMA_PIO12 <b>ALT8</b> - PLU_OUT4 <b>ALT9</b> - ENET0_RXD2 <b>ALT10</b> - I3C1_SDA	<b>IO Supply</b> - VDD <b>Pad type</b> - MED+I2C+I3C <b>Default</b> - DIS	<b>ANALOG</b> - ADC1_A16 <b>VDD SYS</b> - WUU0_IN14
P1_17	F4	9	--	--	<b>ALT0</b> - P1_17 <b>ALT2</b> - FC5_P1 <b>ALT3</b> - FC3_P5 <b>ALT4</b> - CT_INP13 <b>ALT5</b> - SCT0_OUT7 <b>ALT6</b> - FLEXIO0_D25 <b>ALT7</b> - SMARTDMA_PIO13 <b>ALT8</b> - PLU_OUT5 <b>ALT9</b> - ENET0_RXD3 <b>ALT10</b> - I3C1_SCL	<b>IO Supply</b> - VDD <b>Pad type</b> - MED+I2C <b>Default</b> - DIS	<b>ANALOG</b> - ADC1_A17
P1_18	G4	10	--	--	<b>ALT0</b> - P1_18 <b>ALT1</b> - FREQME_CLK_IN0 <b>ALT2</b> - FC5_P2	<b>IO Supply</b> - VDD <b>Pad type</b> - MED <b>Default</b> - DIS	<b>ANALOG</b> - ADC1_A18

Table continues on the next page...

Table 93. pinmux...continued

Pin Name	184BGA ALL	172HDQFP ALL	100HLQFP N94	100HLQFP N54/N53/N52/N24	Pinmux Assignment	Pad Settings	Alternate Functions
					<b>ALT3</b> - FC3_P6 <b>ALT4</b> - CT3_MAT0 <b>ALT5</b> - SCT0_IN6 <b>ALT6</b> - FLEXIO0_D26 <b>ALT7</b> - SMARTDMA_PIO14 <b>ALT8</b> - PLU_IN4 <b>ALT9</b> - ENET0_COL <b>ALT11</b> - CAN0_TXD		
P1_19	G5	11	--	--	<b>ALT0</b> - P1_19 <b>ALT1</b> - FREQME_CLK_IN1 <b>ALT2</b> - FC5_P3 <b>ALT4</b> - CT3_MAT1 <b>ALT5</b> - SCT0_IN7 <b>ALT6</b> - FLEXIO0_D27 <b>ALT7</b> - SMARTDMA_PIO15 <b>ALT8</b> - PLU_IN5 <b>ALT9</b> - ENET0_CRS <b>ALT11</b> - CAN0_RXD	<b>IO Supply</b> - VDD <b>Pad type</b> - MED <b>Default</b> - DIS	<b>ANALOG</b> - ADC1_A19 <b>VDD SYS</b> - WUU0_IN15
P1_20	K5	--	--	--	<b>ALT0</b> - P1_20 <b>ALT1</b> - TRIG_IN2 <b>ALT2</b> - FC5_P4 <b>ALT3</b> - FC4_P0 <b>ALT4</b> - CT3_MAT2 <b>ALT5</b> - SCT0_OUT8 <b>ALT6</b> - FLEXIO0_D28 <b>ALT7</b> - SMARTDMA_PIO16 <b>ALT8</b> - PLU_OUT6 <b>ALT9</b> - ENET0_MDC <b>ALT11</b> - CAN1_TXD	<b>IO Supply</b> - VDD <b>Pad type</b> - MED <b>Default</b> - DIS	<b>ANALOG</b> - ADC1_A20/CMP1_IN3
P1_21	L5	--	--	--	<b>ALT0</b> - P1_21 <b>ALT1</b> - TRIG_OUT2 <b>ALT2</b> - FC5_P5	<b>IO Supply</b> - VDD <b>Pad type</b> - MED <b>Default</b> - DIS	<b>ANALOG</b> - ADC1_A21/CMP2_IN3

Table continues on the next page...

Table 93. pinmux...continued

Pin Name	184BGA ALL	172HDQFP ALL	100HLQFP N94	100HLQFP N54/N53/N52/N24	Pinmux Assignment	Pad Settings	Alternate Functions
					<b>ALT3</b> - FC4_P1 <b>ALT4</b> - CT3_MAT3 <b>ALT5</b> - SCT0_OUT9 <b>ALT6</b> - FLEXIO0_D29 <b>ALT7</b> - SMARTDMA_PIO17 <b>ALT8</b> - PLU_OUT7 <b>ALT9</b> - ENET0_MDIO <b>ALT10</b> - SAI1_MCLK <b>ALT11</b> - CAN1_RXD		
P1_22	L4	--	--	--	<b>ALT0</b> - P1_22 <b>ALT1</b> - TRIG_IN3 <b>ALT2</b> - FC5_P6 <b>ALT3</b> - FC4_P2 <b>ALT4</b> - CT_INP14 <b>ALT5</b> - SCT0_OUT4 <b>ALT6</b> - FLEXIO0_D30 <b>ALT7</b> - SMARTDMA_PIO18	<b>IO Supply</b> - VDD <b>Pad type</b> - MED <b>Default</b> - DIS	<b>ANALOG</b> - ADC1_A22
P1_23	M4	--	--	--	<b>ALT0</b> - P1_23 <b>ALT3</b> - FC4_P3 <b>ALT4</b> - CT_INP15 <b>ALT5</b> - SCT0_OUT5 <b>ALT6</b> - FLEXIO0_D31 <b>ALT7</b> - SMARTDMA_PIO19	<b>IO Supply</b> - VDD <b>Pad type</b> - MED <b>Default</b> - DIS	<b>ANALOG</b> - ADC1_A23
RESET_B	F3	12	9	9		<b>IO Supply</b> - VDD <b>Pad type</b> - RST <b>Default</b> - RESET_B	
P1_30	F1	13	10	10	<b>ALT0</b> - P1_30 <b>ALT1</b> - TRIG_OUT3 <b>ALT4</b> - CT_INP16 <b>ALT5</b> - SCT0_OUT8 <b>ALT10</b> - SAI0_MCLK	<b>IO Supply</b> - VDD <b>Pad type</b> - MED <b>Default</b> - DIS	<b>ANALOG</b> - XTAL48M
P1_31	F2	14	11	11	<b>ALT0</b> - P1_31 <b>ALT1</b> - TRIG_IN4	<b>IO Supply</b> - VDD <b>Pad type</b> - MED	<b>ANALOG</b> - EXTAL48M

Table continues on the next page...

Table 93. pinmux...continued

Pin Name	184BGA ALL	172HDQFP ALL	100HLQFP N94	100HLQFP N54/N53/N52/N24	Pinmux Assignment	Pad Settings	Alternate Functions
					<b>ALT4</b> - CT_INP17 <b>ALT5</b> - SCT0_OUT9	Default - DIS	
VSS	D6	15	0	0		<b>IO Supply</b> - VDD <b>Pad type</b> - VSSIO	
VDD_CORE	K10	16	12	12		<b>IO Supply</b> - VDD <b>Pad type</b> - VDDINT	
VDD_LDO_CORE	K6	17	13	13		<b>IO Supply</b> - VDD <b>Pad type</b> - VDDINT_3V	<b>ANALOG</b> - VDD_LDO_CORE
VDD	H8	18	13	13		<b>IO Supply</b> - VDD <b>Pad type</b> - VDDIO	
VDD_P2	K8	19	13	13		<b>IO Supply</b> - VDD_P2 <b>Pad type</b> - VDDIO	
VSS	E5	--	0	0		<b>IO Supply</b> - VDD_P2 <b>Pad type</b> - VSSIO	
P2_0	H2	20	14	14	<b>ALT0</b> - P2_0 <b>ALT1</b> - TRIG_IN5 <b>ALT2</b> - FC9_P6 <b>ALT3</b> - uSDHC0_D5 <b>ALT4</b> - SCT0_IN0 <b>ALT5</b> - PWM1_A3 <b>ALT6</b> - FLEXIO0_D8 <b>ALT7</b> - SMARTDMA_PIO20 <b>ALT8</b> - FLEXSPI0_B_SS1_b <b>ALT10</b> - SAI0_RX_BCLK <b>ALT11</b> - ESPI0_RST	<b>IO Supply</b> - VDD_P2 <b>Pad type</b> - FAST Default - DIS	
P2_1	H1	21	15	15	<b>ALT0</b> - P2_1 <b>ALT1</b> - TRACE_CLK <b>ALT3</b> - uSDHC0_D4 <b>ALT4</b> - SCT0_IN1 <b>ALT5</b> - PWM1_B3 <b>ALT6</b> - FLEXIO0_D9 <b>ALT7</b> - SMARTDMA_PIO21	<b>IO Supply</b> - VDD_P2 <b>Pad type</b> - FAST Default - DIS	

Table continues on the next page...

Table 93. pinmux...continued

Pin Name	184BGA ALL	172HDQFP ALL	100HLQFP N94	100HLQFP N54/N53/N52/N24	Pinmux Assignment	Pad Settings	Alternate Functions
					<b>ALT8</b> - FLEXSPI0_B_DQS  <b>ALT9</b> - SINC0_MCLK_OUT0  <b>ALT10</b> - SAI0_RX_FS  <b>ALT11</b> - ESPI0_NOTIFY		
P2_2	H3	22	16	16	<b>ALT0</b> - P2_2  <b>ALT1</b> - CLKOUT  <b>ALT2</b> - FC9_P3  <b>ALT3</b> - uSDHC0_D1  <b>ALT4</b> - SCT0_OUT0  <b>ALT5</b> - PWM1_A2  <b>ALT6</b> - FLEXIO0_D10  <b>ALT7</b> - SMARTDMA_PIO22  <b>ALT8</b> - FLEXSPI0_B_SS0_b  <b>ALT9</b> - SINC0_MCLK0  <b>ALT10</b> - SAI0_TXD0  <b>ALT11</b> - ESPI0_CS <sub>n</sub>	<b>IO Supply</b> - VDD_P2  <b>Pad type</b> - FAST  <b>Default</b> - DIS	<b>VDD SYS</b> - WUU0_IN16
P2_3	J3	23	17	17	<b>ALT0</b> - P2_3  <b>ALT2</b> - FC9_P1  <b>ALT3</b> - uSDHC0_D0  <b>ALT4</b> - SCT0_OUT1  <b>ALT5</b> - PWM1_B2  <b>ALT6</b> - FLEXIO0_D11  <b>ALT7</b> - SMARTDMA_PIO23  <b>ALT8</b> - FLEXSPI0_B_SCLK  <b>ALT9</b> - SINC0_MBIT0  <b>ALT10</b> - SAI0_RXD0  <b>ALT11</b> - ESPI0_CLK	<b>IO Supply</b> - VDD_P2  <b>Pad type</b> - FAST  <b>Default</b> - DIS	
P2_4	K3	24	18	18	<b>ALT0</b> - P2_4  <b>ALT2</b> - FC9_P0  <b>ALT3</b> - uSDHC0_CLK  <b>ALT4</b> - SCT0_OUT2	<b>IO Supply</b> - VDD_P2  <b>Pad type</b> - FAST  <b>Default</b> - DIS	<b>VDD SYS</b> - WUU0_IN17

Table continues on the next page...

Table 93. pinmux...continued

Pin Name	184BGA ALL	172HDQFP ALL	100HLQFP N94	100HLQFP N54/N53/N52/N24	Pinmux Assignment	Pad Settings	Alternate Functions
					<b>ALT5</b> - PWM1_A1 <b>ALT6</b> - FLEXIO0_D12 <b>ALT7</b> - SMARTDMA_PIO24 <b>ALT8</b> - FLEXSPI0_B_DATA0 <b>ALT9</b> - SINC0_MCLK1 <b>ALT10</b> - SAI0_RXD1 <b>ALT11</b> - ESPI0_DATA0		
P2_5	K1	25	19	19	<b>ALT0</b> - P2_5 <b>ALT1</b> - TRIG_OUT3 <b>ALT2</b> - FC9_P2 <b>ALT3</b> - uSDHC0_CMD <b>ALT4</b> - SCT0_OUT3 <b>ALT5</b> - PWM1_B1 <b>ALT6</b> - FLEXIO0_D13 <b>ALT7</b> - SMARTDMA_PIO25 <b>ALT8</b> - FLEXSPI0_B_DATA1 <b>ALT9</b> - SINC0_MBIT1 <b>ALT10</b> - SAI0_TXD1 <b>ALT11</b> - ESPI0_DATA1	<b>IO Supply</b> - VDD_P2 <b>Pad type</b> - FAST <b>Default</b> - DIS	
VSS	G2	26	0	0		<b>IO Supply</b> - VDD_P2 <b>Pad type</b> - VSSIO	
VDD_P2	L7	27	--	--		<b>IO Supply</b> - VDD_P2 <b>Pad type</b> - VDDIO	
P2_6	K2	28	20	20	<b>ALT0</b> - P2_6 <b>ALT1</b> - TRIG_IN4 <b>ALT2</b> - FC9_P4 <b>ALT3</b> - uSDHC0_D3 <b>ALT4</b> - SCT0_OUT4 <b>ALT5</b> - PWM1_A0 <b>ALT6</b> - FLEXIO0_D14 <b>ALT7</b> - SMARTDMA_PIO26	<b>IO Supply</b> - VDD_P2 <b>Pad type</b> - FAST <b>Default</b> - DIS	

Table continues on the next page...

Table 93. pinmux...continued

Pin Name	184BGA ALL	172HDQFP ALL	100HLQFP N94	100HLQFP N54/N53/N52/N24	Pinmux Assignment	Pad Settings	Alternate Functions
					<b>ALT8</b> - FLEXSPI0_B_DATA2 <b>ALT9</b> - SINC0_MCLK2 <b>ALT10</b> - SAI0_TX_BCLK <b>ALT11</b> - ESPI0_DATA2		
P2_7	L2	29	21	21	<b>ALT0</b> - P2_7 <b>ALT1</b> - TRIG_IN5 <b>ALT2</b> - FC9_P5 <b>ALT3</b> - uSDHC0_D2 <b>ALT4</b> - SCT0_OUT5 <b>ALT5</b> - PWM1_B0 <b>ALT6</b> - FLEXIO0_D15 <b>ALT7</b> - SMARTDMA_PIO27 <b>ALT8</b> - FLEXSPI0_B_DATA3 <b>ALT9</b> - SINC0_MBIT2 <b>ALT10</b> - SAI0_TX_FS <b>ALT11</b> - ESPI0_DATA3	<b>IO Supply</b> - VDD_P2 <b>Pad type</b> - FAST <b>Default</b> - DIS	
P2_8	M2	30	--	--	<b>ALT0</b> - P2_8 <b>ALT1</b> - TRACE_DATA0 <b>ALT3</b> - uSDHC0_D7 <b>ALT4</b> - SCT0_IN2 <b>ALT5</b> - PWM1_X0 <b>ALT6</b> - FLEXIO0_D16 <b>ALT7</b> - SMARTDMA_PIO28 <b>ALT8</b> - FLEXSPI0_B_DATA4 <b>ALT9</b> - SINC0_MCLK3 <b>ALT10</b> - SAI1_TXD0	<b>IO Supply</b> - VDD_P2 <b>Pad type</b> - FAST <b>Default</b> - DIS	
P2_9	M1	31	--	--	<b>ALT0</b> - P2_9 <b>ALT1</b> - TRACE_DATA1 <b>ALT3</b> - uSDHC0_D6 <b>ALT4</b> - SCT0_IN3 <b>ALT5</b> - PWM1_X1 <b>ALT6</b> - FLEXIO0_D17	<b>IO Supply</b> - VDD_P2 <b>Pad type</b> - FAST <b>Default</b> - DIS	

Table continues on the next page...

Table 93. pinmux...continued

Pin Name	184BGA ALL	172HDQFP ALL	100HLQFP N94	100HLQFP N54/N53/N52/N24	Pinmux Assignment	Pad Settings	Alternate Functions
					<b>ALT7</b> - SMARTDMA_PIO29  <b>ALT8</b> - FLEXSPI0_B_DATA5  <b>ALT9</b> - SINC0_MBIT3  <b>ALT10</b> - SAI1_RXD0		
P2_10	M3	32	--	--	<b>ALT0</b> - P2_10  <b>ALT1</b> - TRACE_DATA2  <b>ALT4</b> - SCT0_IN4  <b>ALT5</b> - PWM1_X2  <b>ALT6</b> - FLEXIO0_D18  <b>ALT7</b> - SMARTDMA_PIO31  <b>ALT8</b> - FLEXSPI0_B_DATA6  <b>ALT9</b> - SINC0_MCLK4  <b>ALT10</b> - SAI1_RXD1	<b>IO Supply</b> - VDD_P2  <b>Pad type</b> - FAST  <b>Default</b> - DIS	
P2_11	N4	33	--	--	<b>ALT0</b> - P2_11  <b>ALT1</b> - TRACE_DATA3  <b>ALT4</b> - SCT0_IN5  <b>ALT5</b> - PWM1_X3  <b>ALT6</b> - FLEXIO0_D19  <b>ALT7</b> - SMARTDMA_PIO30  <b>ALT8</b> - FLEXSPI0_B_DATA7  <b>ALT9</b> - SINC0_MBIT4  <b>ALT10</b> - SAI1_TXD1	<b>IO Supply</b> - VDD_P2  <b>Pad type</b> - FAST  <b>Default</b> - DIS	
VSS	H5	34	0	0		<b>IO Supply</b> - VDD_P2  <b>Pad type</b> - VSSIO	
VDD_P2	--	35	--	--		<b>IO Supply</b> - VDD_P2  <b>Pad type</b> - VDDIO	
VDD_P4	P4	36	--	--		<b>IO Supply</b> - VDD_P4  <b>Pad type</b> - VDDIO	
VSS_P4	P7	37	--	--		<b>IO Supply</b> - VDD_P4  <b>Pad type</b> - VSSIO	

Table continues on the next page...

Table 93. pinmux...continued

Pin Name	184BGA ALL	172HDQFP ALL	100HLQFP N94	100HLQFP N54/N53/N52/N24	Pinmux Assignment	Pad Settings	Alternate Functions
P4_0	P1	38	22	22	<b>ALT0</b> - P4_0 <b>ALT1</b> - TRIG_IN6 <b>ALT2</b> - FC2_P0 <b>ALT4</b> - CT_INP16 <b>ALT7</b> - SMARTDMA_PIO24 <b>ALT8</b> - PLU_IN0 <b>ALT9</b> - SINC0_MCLK3	<b>IO Supply</b> - VDD_P4 <b>Pad type</b> - SLOW <b>Default</b> - DIS	<b>VDD SYS</b> - WUU0_IN18
ANA_0	P3	39	22	22		<b>IO Supply</b> - VDD_P4 <b>Pad type</b> - ANA	<b>ANALOG</b> - ADC0_A0
ANA_1	R3	40	23	23		<b>IO Supply</b> - VDD_P4 <b>Pad type</b> - ANA	<b>ANALOG</b> - ADC0_B0
P4_1	P2	41	23	23	<b>ALT0</b> - P4_1 <b>ALT1</b> - TRIG_IN7 <b>ALT2</b> - FC2_P1 <b>ALT4</b> - CT_INP17 <b>ALT7</b> - SMARTDMA_PIO25 <b>ALT8</b> - PLU_IN1	<b>IO Supply</b> - VDD_P4 <b>Pad type</b> - SLOW <b>Default</b> - DIS	
P4_2	T1	42	24	24	<b>ALT0</b> - P4_2 <b>ALT1</b> - TRIG_IN6 <b>ALT2</b> - FC2_P2 <b>ALT4</b> - CT_INP12 <b>ALT7</b> - SMARTDMA_PIO26 <b>ALT8</b> - PLU_IN2 <b>ALT9</b> - SINC0_MBIT3	<b>IO Supply</b> - VDD_P4 <b>Pad type</b> - SLOW <b>Default</b> - DIS	<b>ANALOG</b> - DAC0_OUT/ADC0_A4/ ADC1_A4/CMP0_IN4N/ CMP1_IN4N/CMP2_IN4N
P4_3	U1	43	25	25	<b>ALT0</b> - P4_3 <b>ALT1</b> - TRIG_IN7 <b>ALT2</b> - FC2_P3 <b>ALT4</b> - CT_INP13 <b>ALT7</b> - SMARTDMA_PIO27 <b>ALT8</b> - PLU_IN3	<b>IO Supply</b> - VDD_P4 <b>Pad type</b> - SLOW <b>Default</b> - DIS	<b>ANALOG</b> - DAC1_OUT/ADC0_B4/ ADC1_B4/CMP0_IN5N/ CMP1_IN5N/CMP2_IN5N <b>VDD SYS</b> - WUU0_IN19
P4_4	M6	44	26	26	<b>ALT0</b> - P4_4 <b>ALT2</b> - FC2_P4	<b>IO Supply</b> - VDD_P4 <b>Pad type</b> - SLOW	

Table continues on the next page...

Table 93. pinmux...continued

Pin Name	184BGA ALL	172HDQFP ALL	100HLQFP N94	100HLQFP N54/N53/N52/N24	Pinmux Assignment	Pad Settings	Alternate Functions
					<b>ALT4</b> - CT_INP14 <b>ALT7</b> - SMARTDMA_PIO28 <b>ALT8</b> - PLU_IN4 <b>ALT9</b> - SINC0_MCLK4	<b>Default</b> - DIS	
ANA_4	T2	45	26	26		<b>IO Supply</b> - VDD_P4 <b>Pad type</b> - ANA	<b>ANALOG</b> - ADC1_A0
ANA_5	T3	46	27	27		<b>IO Supply</b> - VDD_P4 <b>Pad type</b> - ANA	<b>ANALOG</b> - ADC1_B0
P4_5	M8	47	27	27	<b>ALT0</b> - P4_5 <b>ALT2</b> - FC2_P5 <b>ALT4</b> - CT_INP15 <b>ALT7</b> - SMARTDMA_PIO29 <b>ALT8</b> - PLU_IN5 <b>ALT9</b> - SINC0_MBIT4	<b>IO Supply</b> - VDD_P4 <b>Pad type</b> - SLOW <b>Default</b> - DIS	
ANA_6	U2	48	28	28		<b>IO Supply</b> - VDD_P4 <b>Pad type</b> - ANA	<b>ANALOG</b> - DAC2_OUT/ ADC0_A3/ADC1_A3
P4_6	N7	49	28	28	<b>ALT0</b> - P4_6 <b>ALT1</b> - TRIG_OUT4 <b>ALT2</b> - FC2_P6 <b>ALT4</b> - CT_INP18 <b>ALT7</b> - SMARTDMA_PIO30 <b>ALT8</b> - PLU_CLK	<b>IO Supply</b> - VDD_P4 <b>Pad type</b> - SLOW <b>Default</b> - DIS	
P4_7	T4	50	29	29	<b>ALT0</b> - P4_7 <b>ALT4</b> - CT_INP19 <b>ALT7</b> - SMARTDMA_PIO31	<b>IO Supply</b> - VDD_P4 <b>Pad type</b> - SLOW <b>Default</b> - DIS	
ANA_7	U4	51	29	29		<b>IO Supply</b> - VDD_P4 <b>Pad type</b> - ANA	<b>ANALOG</b> - VREFI/VREFO/ ADC0_A7/ADC1_A7
VDD_ANA	R4	52	30	30		<b>IO Supply</b> - VDD_P4 <b>Pad type</b> - VDDINT_3V	
VREFH	R5	53	31	31		<b>IO Supply</b> - VDD_P4	<b>ANALOG</b> - VREFH

Table continues on the next page...

Table 93. pinmux...continued

Pin Name	184BGA ALL	172HDQFP ALL	100HLQFP N94	100HLQFP N54/N53/N52/N24	Pinmux Assignment	Pad Settings	Alternate Functions
						Pad type - ANA	
VREFL	R6	54	32	32		IO Supply - VDD_P4 Pad type - VSSINT	ANALOG - VREFL
VSS_P4	P6	55	33	33		IO Supply - VDD_P4 Pad type - VSSIO	
VDD_P4	N5	56	34	34		IO Supply - VDD_P4 Pad type - VDDIO	
P4_12	T6	57	35	35	ALT0 - P4_12 ALT1 - USB0_VBUS_DET ALT2 - FC2_P0 ALT4 - CT4_MAT0 ALT6 - FLEXIO0_D20 ALT8 - PLU_OUT0 ALT9 - SINC0_MCLK0 ALT11 - CAN0_RXD	IO Supply - VDD_P4 Pad type - SLOW Default - DIS	ISP - USB0_VBUS_DET ANALOG - OPAMP0_INP0/ ADC0_A5/ADC1_A5 VDD SYS - WUU0_IN20
P4_13	T7	58	36	36	ALT0 - P4_13 ALT1 - TRIG_IN8 ALT2 - FC2_P1 ALT3 - USB1_OTGn_ID ALT4 - CT4_MAT1 ALT6 - FLEXIO0_D21 ALT8 - PLU_OUT1 ALT9 - SINC0_MBIT0 ALT11 - CAN0_TXD	IO Supply - VDD_P4 Pad type - SLOW Default - DIS	ANALOG - OPAMP0_INP1/ ADC0_B5/ADC1_B5
ANA_14	U6	59	36	36		IO Supply - VDD_P4 Pad type - LOLK	ANALOG - OPAMP0_INN
P4_14	N8	60	--	--	ALT0 - P4_14 ALT4 - CT4_MAT2 ALT6 - FLEXIO0_D22 ALT8 - PLU_OUT2	IO Supply - VDD_P4 Pad type - SLOW Default - DIS	
P4_15	T8	61	37	37	ALT0 - P4_15 ALT1 - TRIG_OUT4 ALT3 - USB1_VBUSVALID_EXT	IO Supply - VDD_P4 Pad type - SLOW Default - DIS	ANALOG - OPAMP0_OUT/ ADC0_A1/CMP0_IN4P VDD SYS - WUU0_IN21

Table continues on the next page...

Table 93. pinmux...continued

Pin Name	184BGA ALL	172HDQFP ALL	100HLQFP N94	100HLQFP N54/N53/N52/N24	Pinmux Assignment	Pad Settings	Alternate Functions
					<b>ALT4</b> - CT4_MAT3 <b>ALT6</b> - FLEXIO0_D23 <b>ALT8</b> - PLU_OUT3 <b>ALT9</b> - SINC0_MCLK_OUT0 <b>ALT11</b> - CAN1_RXD		
P4_16	R8	62	38	38	<b>ALT0</b> - P4_16 <b>ALT2</b> - FC2_P2 <b>ALT3</b> - USB1_OTGn_PWR <b>ALT4</b> - CT3_MAT0 <b>ALT6</b> - FLEXIO0_D24 <b>ALT8</b> - PLU_OUT4 <b>ALT9</b> - SINC0_MCLK1 <b>ALT11</b> - CAN1_TXD	<b>IO Supply</b> - VDD_P4 <b>Pad type</b> - SLOW <b>Default</b> - DIS	<b>ANALOG</b> - OPAMP1_INP0/ ADC0_A6
P4_17	R9	63	39	39	<b>ALT0</b> - P4_17 <b>ALT1</b> - TRIG_IN9 <b>ALT2</b> - FC2_P3 <b>ALT3</b> - USB1_OTGn_OC <b>ALT4</b> - CT3_MAT1 <b>ALT6</b> - FLEXIO0_D25 <b>ALT8</b> - PLU_OUT5 <b>ALT9</b> - SINC0_MBIT1	<b>IO Supply</b> - VDD_P4 <b>Pad type</b> - SLOW <b>Default</b> - DIS	<b>ANALOG</b> - OPAMP1_INP1/ ADC0_B6
ANA_18	U8	64	39	39		<b>IO Supply</b> - VDD_P4 <b>Pad type</b> - LOLK	<b>ANALOG</b> - OPAMP1_INN
P4_18	N10	65	--	--	<b>ALT0</b> - P4_18 <b>ALT4</b> - CT3_MAT2 <b>ALT6</b> - FLEXIO0_D26 <b>ALT8</b> - PLU_OUT6	<b>IO Supply</b> - VDD_P4 <b>Pad type</b> - SLOW <b>Default</b> - DIS	
P4_19	R10	66	40	--	<b>ALT0</b> - P4_19 <b>ALT1</b> - TRIG_OUT5 <b>ALT4</b> - CT3_MAT3 <b>ALT6</b> - FLEXIO0_D27 <b>ALT8</b> - PLU_OUT7 <b>ALT9</b> - SINC0_MCLK_OUT1	<b>IO Supply</b> - VDD_P4 <b>Pad type</b> - SLOW <b>Default</b> - DIS	<b>ANALOG</b> - OPAMP1_OUT/ ADC0_B1/CMP1_IN4P

Table continues on the next page...

Table 93. pinmux...continued

Pin Name	184BGA ALL	172HDQFP ALL	100HLQFP N94	100HLQFP N54/N53/N52/N24	Pinmux Assignment	Pad Settings	Alternate Functions
P4_20	T10	67	41	--	<b>ALT0</b> - P4_20 <b>ALT1</b> - TRIG_IN8 <b>ALT2</b> - FC2_P4 <b>ALT4</b> - CT2_MAT0 <b>ALT6</b> - FLEXIO0_D28 <b>ALT9</b> - SINC0_MCLK2	<b>IO Supply</b> - VDD_P4 <b>Pad type</b> - SLOW <b>Default</b> - DIS	<b>ANALOG</b> - OPAMP2_INP0/ ADC1_A6
P4_21	T11	68	42	--	<b>ALT0</b> - P4_21 <b>ALT1</b> - TRIG_IN9 <b>ALT2</b> - FC2_P5 <b>ALT4</b> - CT2_MAT1 <b>ALT6</b> - FLEXIO0_D29 <b>ALT9</b> - SINC0_MBIT2	<b>IO Supply</b> - VDD_P4 <b>Pad type</b> - SLOW <b>Default</b> - DIS	<b>ANALOG</b> - OPAMP2_INP1/ ADC1_B6
ANA_22	U10	69	42	--		<b>IO Supply</b> - VDD_P4 <b>Pad type</b> - LOLK	<b>ANALOG</b> - OPAMP2_INN
P4_22	T12	70	--	--	<b>ALT0</b> - P4_22 <b>ALT4</b> - CT2_MAT2 <b>ALT6</b> - FLEXIO0_D30	<b>IO Supply</b> - VDD_P4 <b>Pad type</b> - SLOW <b>Default</b> - DIS	
P4_23	U12	71	43	--	<b>ALT0</b> - P4_23 <b>ALT1</b> - TRIG_OUT5 <b>ALT2</b> - FC2_P6 <b>ALT4</b> - CT2_MAT3 <b>ALT6</b> - FLEXIO0_D31 <b>ALT9</b> - SINC0_MCLK_OUT2	<b>IO Supply</b> - VDD_P4 <b>Pad type</b> - SLOW <b>Default</b> - DIS	<b>ANALOG</b> - OPAMP2_OUT/ ADC0_A2/ADC0_B2/ ADC1_B3/CMP2_IN4P
VSS_P4	P9	72	--	--		<b>IO Supply</b> - VDD_P4 <b>Pad type</b> - VSSIO	
VDD_P4	--	73	--	--		<b>IO Supply</b> - VDD_P4 <b>Pad type</b> - VDDIO	
VSS	J4	--	--	0		<b>IO Supply</b> - VDD_USB <b>Pad type</b> - VSSIO	
USB1_DP	R13	74	--	40		<b>IO Supply</b> - VDD_USB <b>Pad type</b> - ANA	<b>ANALOG</b> - USB1_DP
USB1_DM	R14	75	--	41		<b>IO Supply</b> - VDD_USB <b>Pad type</b> - ANA	<b>ANALOG</b> - USB1_DM

Table continues on the next page...

Table 93. pinmux...continued

Pin Name	184BGA ALL	172HDQFP ALL	100HLQFP N94	100HLQFP N54/N53/N52/N24	Pinmux Assignment	Pad Settings	Alternate Functions
USB1_ID	P11	--	--	--		<b>IO Supply</b> - VDD_USB <b>Pad type</b> - ANA	<b>ANALOG</b> - USB1_ID
USB1_VBUS	U14	76	--	42		<b>IO Supply</b> - VDD_USB <b>Pad type</b> - VDDINT_5V	<b>ANALOG</b> - USB1_VBUS
VSS	J8	77	--	43		<b>IO Supply</b> - VDD_USB <b>Pad type</b> - VSSIO	
VDD_USB	R12	78	44	44		<b>IO Supply</b> - VDD_USB <b>Pad type</b> - VDDIO	
USB0_DM	T14	79	45	45		<b>IO Supply</b> - VDD_USB <b>Pad type</b> - ANA	<b>ANALOG</b> - USB0_DM <b>VDD SYS</b> - WUU0_IN28
USB0_DP	T15	80	46	46		<b>IO Supply</b> - VDD_USB <b>Pad type</b> - ANA	<b>ANALOG</b> - USB0_DP <b>VDD SYS</b> - WUU0_IN29
VSS	T16	81	0	0		<b>IO Supply</b> - VDD_BAT <b>Pad type</b> - VSSIO	
VDD_BAT	T17	82	47	47		<b>IO Supply</b> - VDD_BAT <b>Pad type</b> - VDDIO	
P5_0	U16	83	48	48	<b>ALT0</b> - P5_0 <b>ALT1</b> - TRIG_IN10 <b>ALT2</b> - LPTMR0_ALT2	<b>IO Supply</b> - VDD_BAT <b>Pad type</b> - AON <b>Default</b> - DIS	<b>ANALOG</b> - EXTAL32K/ADC1_B8
P5_1	U17	84	49	49	<b>ALT0</b> - P5_1 <b>ALT1</b> - TRIG_OUT6 <b>ALT2</b> - LPTMR1_ALT2	<b>IO Supply</b> - VDD_BAT <b>Pad type</b> - AON <b>Default</b> - DIS	<b>ANALOG</b> - XTAL32K/ADC1_B9
P5_2	M10	85	50	50	<b>ALT0</b> - P5_2 <b>ALT1</b> - VBAT_WAKEUP_b <b>ALT2</b> - SPC_LPREQ <b>ALT3</b> - TAMPER0	<b>IO Supply</b> - VDD_BAT <b>Pad type</b> - RST <b>Default</b> - ALT1	<b>ANALOG</b> - ADC1_B10
P5_3	N11	86	51	51	<b>ALT0</b> - P5_3 <b>ALT1</b> - TRIG_IN11 <b>ALT2</b> - RTC_CLKOUT <b>ALT3</b> - TAMPER1	<b>IO Supply</b> - VDD_BAT <b>Pad type</b> - AON <b>Default</b> - DIS	<b>ANALOG</b> - ADC1_B11
P5_4	M12	87	--	--	<b>ALT0</b> - P5_4 <b>ALT1</b> - TRIG_OUT7	<b>IO Supply</b> - VDD_BAT <b>Pad type</b> - AON	<b>ANALOG</b> - ADC1_B12

Table continues on the next page...

Table 93. pinmux...continued

Pin Name	184BGA ALL	172HDQFP ALL	100HLQFP N94	100HLQFP N54/N53/N52/N24	Pinmux Assignment	Pad Settings	Alternate Functions
					ALT2 - SPC_LPREQ ALT3 - TAMPER2	Default - DIS	
P5_5	K12	88	--	--	ALT0 - P5_5 ALT1 - TRIG_IN10 ALT2 - LPTMR0_ALT2 ALT3 - TAMPER3	IO Supply - VDD_BAT Pad type - AON Default - DIS	ANALOG - ADC1_B13
P5_6	K13	89	--	--	ALT0 - P5_6 ALT1 - TRIG_OUT6 ALT2 - LPTMR1_ALT2 ALT3 - TAMPER4	IO Supply - VDD_BAT Pad type - AON Default - DIS	ANALOG - ADC1_B14
P5_7	L13	90	--	--	ALT0 - P5_7 ALT1 - TRIG_IN11 ALT3 - TAMPER5	IO Supply - VDD_BAT Pad type - AON Default - DIS	ANALOG - ADC1_B15
P5_8	L14	91	--	--	ALT0 - P5_8 ALT1 - TRIG_OUT7 ALT3 - TAMPER6	IO Supply - VDD_BAT Pad type - AON Default - DIS	ANALOG - ADC1_B16
P5_9	M14	92	--	--	ALT0 - P5_9 ALT3 - TAMPER7	IO Supply - VDD_BAT Pad type - AON Default - DIS	ANALOG - ADC1_B17
VSS	E13	--	--	--		IO Supply - VDD_BAT Pad type - VSSIO	
VSS_DCDC	P16	93,94	52	52		IO Supply - VDD_DCDC Pad type - VSSIO	
DCDC_LX	P17	95,96	53	53		IO Supply - VDD_DCDC Pad type - ANA	ANALOG - DCDC_LX
VDD_DCDC	R15	97	54	54		IO Supply - VDD_DCDC Pad type - VDDIO	
VDD_LDO_SYS	P15	98	54	54		IO Supply - VDD_P3 Pad type - VDDIO	
VDD_SYS	N14	99	55	55		IO Supply - VDD_P3 Pad type - VDDINT	
VSS	J14	--	0	0		IO Supply - VDD_P3 Pad type - VSSIO	

Table continues on the next page...

Table 93. pinmux...continued

Pin Name	184BGA ALL	172HDQFP ALL	100HLQFP N94	100HLQFP N54/N53/N52/N24	Pinmux Assignment	Pad Settings	Alternate Functions
P3_23	M15	100	--	--	<b>ALT0</b> - P3_23 <b>ALT3</b> - FC6_P3 <b>ALT4</b> - CT_INP11 <b>ALT5</b> - PWM1_X3 <b>ALT6</b> - FLEXIO0_D31 <b>ALT7</b> - SMARTDMA_PIO23 <b>ALT10</b> - SAI1_TXD1	<b>IO Supply</b> - VDD_P3 <b>Pad type</b> - FAST <b>Default</b> - DIS	
P3_22	M16	101	--	--	<b>ALT0</b> - P3_22 <b>ALT2</b> - FC8_P6 <b>ALT3</b> - FC6_P2 <b>ALT4</b> - CT_INP10 <b>ALT5</b> - PWM1_X2 <b>ALT6</b> - FLEXIO0_D30 <b>ALT7</b> - SMARTDMA_PIO22 <b>ALT9</b> - SIM0_VCCEN <b>ALT10</b> - SAI1_RXD1	<b>IO Supply</b> - VDD_P3 <b>Pad type</b> - FAST <b>Default</b> - DIS	
P3_21	L16	102	56	56	<b>ALT0</b> - P3_21 <b>ALT1</b> - TRIG_OUT1 <b>ALT2</b> - FC8_P5 <b>ALT3</b> - FC6_P1 <b>ALT4</b> - CT2_MAT3 <b>ALT5</b> - PWM1_B3 <b>ALT6</b> - FLEXIO0_D29 <b>ALT7</b> - SMARTDMA_PIO21 <b>ALT9</b> - SIM0_RST <b>ALT10</b> - SAI1_RXD0 <b>ALT11</b> - PF_SPI_CS1_DIS_n	<b>IO Supply</b> - VDD_P3 <b>Pad type</b> - FAST <b>Default</b> - DIS	
P3_20	M17	103	57	57	<b>ALT0</b> - P3_20 <b>ALT1</b> - TRIG_OUT0 <b>ALT2</b> - FC8_P4 <b>ALT3</b> - FC6_P0 <b>ALT4</b> - CT2_MAT2	<b>IO Supply</b> - VDD_P3 <b>Pad type</b> - FAST <b>Default</b> - DIS	<b>VDD SYS</b> - WUU0_IN27

Table continues on the next page...

Table 93. pinmux...continued

Pin Name	184BGA ALL	172HDQFP ALL	100HLQFP N94	100HLQFP N54/N53/N52/N 24	Pinmux Assignment	Pad Settings	Alternate Functions
					<b>ALT5</b> - PWM1_A3 <b>ALT6</b> - FLEXIO0_D28 <b>ALT7</b> - SMARTDMA_PIO20 <b>ALT9</b> - SIM0_PD <b>ALT10</b> - SAI1_TXD0 <b>ALT11</b> - PF_SPL_CS0_DIS_n		
P3_19	K17	--	--	--	<b>ALT0</b> - P3_19 <b>ALT2</b> - FC7_P6 <b>ALT4</b> - CT2_MAT1 <b>ALT5</b> - PWM1_X1 <b>ALT6</b> - FLEXIO0_D27 <b>ALT7</b> - SMARTDMA_PIO19 <b>ALT10</b> - SAI1_RX_FS	<b>IO Supply</b> - VDD_P3 <b>Pad type</b> - FAST <b>Default</b> - DIS	
VSS	K9	104	0	0		<b>IO Supply</b> - VDD_P3 <b>Pad type</b> - VSSIO	
VDD_CORE	L11	105	58	58		<b>IO Supply</b> - VDD_P3 <b>Pad type</b> - VDDINT	
VDD_P3	G11	106	59	59		<b>IO Supply</b> - VDD_P3 <b>Pad type</b> - VDDIO	
P3_18	K16	--	--	--	<b>ALT0</b> - P3_18 <b>ALT3</b> - FC6_P6 <b>ALT4</b> - CT2_MAT0 <b>ALT5</b> - PWM1_X0 <b>ALT6</b> - FLEXIO0_D26 <b>ALT7</b> - SMARTDMA_PIO18 <b>ALT10</b> - SAI1_RX_BCLK	<b>IO Supply</b> - VDD_P3 <b>Pad type</b> - FAST <b>Default</b> - DIS	
P3_17	K15	107	60	60	<b>ALT0</b> - P3_17 <b>ALT2</b> - FC8_P3 <b>ALT4</b> - CT_INP9 <b>ALT5</b> - PWM1_B2 <b>ALT6</b> - FLEXIO0_D25	<b>IO Supply</b> - VDD_P3 <b>Pad type</b> - FAST <b>Default</b> - DIS	VDD_SYS - WUU0_IN26

Table continues on the next page...

Table 93. pinmux...continued

Pin Name	184BGA ALL	172HDQFP ALL	100HLQFP N94	100HLQFP N54/N53/N52/N24	Pinmux Assignment	Pad Settings	Alternate Functions
					<b>ALT7</b> - SMARTDMA_PIO17  <b>ALT9</b> - SIM0_IO  <b>ALT10</b> - SAI1_TX_FS		
P3_16	J15	108	61	61	<b>ALT0</b> - P3_16  <b>ALT2</b> - FC8_P2  <b>ALT4</b> - CT_INP8  <b>ALT5</b> - PWM1_A2  <b>ALT6</b> - FLEXIO0_D24  <b>ALT7</b> - SMARTDMA_PIO16  <b>ALT9</b> - SIM0_CLK  <b>ALT10</b> - SAI1_TX_BCLK	<b>IO Supply</b> - VDD_P3  <b>Pad type</b> - FAST  <b>Default</b> - DIS	
P3_15	H15	109	62	62	<b>ALT0</b> - P3_15  <b>ALT2</b> - FC8_P1  <b>ALT4</b> - CT_INP7  <b>ALT5</b> - PWM1_B1  <b>ALT6</b> - FLEXIO0_D23  <b>ALT7</b> - SMARTDMA_PIO15  <b>ALT8</b> - FLEXSPI0_A_DATA7  <b>ALT10</b> - SAI0_RX_FS  <b>ALT11</b> - PF_SPI_SCKIN	<b>IO Supply</b> - VDD_P3  <b>Pad type</b> - FAST  <b>Default</b> - DIS	
P3_14	H17	110	63	63	<b>ALT0</b> - P3_14  <b>ALT2</b> - FC8_P0  <b>ALT4</b> - CT_INP6  <b>ALT5</b> - PWM1_A1  <b>ALT6</b> - FLEXIO0_D22  <b>ALT7</b> - SMARTDMA_PIO14  <b>ALT8</b> - FLEXSPI0_A_DATA6  <b>ALT10</b> - SAI0_RX_BCLK  <b>ALT11</b> - PF_SPI_DATA	<b>IO Supply</b> - VDD_P3  <b>Pad type</b> - FAST  <b>Default</b> - DIS	<b>VDD SYS</b> - WUU0_IN25
P3_13	H16	111	64	64	<b>ALT0</b> - P3_13  <b>ALT2</b> - FC7_P5	<b>IO Supply</b> - VDD_P3  <b>Pad type</b> - FAST	

Table continues on the next page...

Table 93. pinmux...continued

Pin Name	184BGA ALL	172HDQFP ALL	100HLQFP N94	100HLQFP N54/N53/N52/N24	Pinmux Assignment	Pad Settings	Alternate Functions
					<b>ALT3</b> - FC6_P5 <b>ALT4</b> - CT1_MAT3 <b>ALT5</b> - PWM1_B0 <b>ALT6</b> - FLEXIO0_D21 <b>ALT7</b> - SMARTDMA_PIO13 <b>ALT8</b> - FLEXSPI0_A_DATA5 <b>ALT10</b> - SAI0_TXD1 <b>ALT11</b> - PF_SPI_CS0_n	<b>Default</b> - DIS	
P3_12	G16	112	65	65	<b>ALT0</b> - P3_12 <b>ALT2</b> - FC7_P4 <b>ALT3</b> - FC6_P4 <b>ALT4</b> - CT1_MAT2 <b>ALT5</b> - PWM1_A0 <b>ALT6</b> - FLEXIO0_D20 <b>ALT7</b> - SMARTDMA_PIO12 <b>ALT8</b> - FLEXSPI0_A_DATA4 <b>ALT10</b> - SAI0_RXD1	<b>IO Supply</b> - VDD_P3 <b>Pad type</b> - FAST <b>Default</b> - DIS	
VSS	N13	113	0	0		<b>IO Supply</b> - VDD_P3 <b>Pad type</b> - VSSIO	
VDD_P3	H10	114	66	66		<b>IO Supply</b> - VDD_P3 <b>Pad type</b> - VDDIO	
P3_11	F16	115	67	67	<b>ALT0</b> - P3_11 <b>ALT2</b> - FC6_P3 <b>ALT3</b> - FC7_P5 <b>ALT4</b> - CT1_MAT1 <b>ALT5</b> - PWM0_B3 <b>ALT6</b> - FLEXIO0_D19 <b>ALT7</b> - SMARTDMA_PIO11 <b>ALT8</b> - FLEXSPI0_A_DATA3 <b>ALT9</b> - SIM0_IO <b>ALT10</b> - SAI0_RXD0	<b>IO Supply</b> - VDD_P3 <b>Pad type</b> - FAST <b>Default</b> - DIS	<b>VDD SYS</b> - WUU0_IN24

Table continues on the next page...

Table 93. pinmux...continued

Pin Name	184BGA ALL	172HDQFP ALL	100HLQFP N94	100HLQFP N54/N53/N52/N24	Pinmux Assignment	Pad Settings	Alternate Functions
					<b>ALT11</b> - PF_QSPI_DATA3		
P3_10	F17	116	68	68	<b>ALT0</b> - P3_10 <b>ALT2</b> - FC6_P2 <b>ALT3</b> - FC7_P4 <b>ALT4</b> - CT1_MAT0 <b>ALT5</b> - PWM0_A3 <b>ALT6</b> - FLEXIO0_D18 <b>ALT7</b> - SMARTDMA_PIO10 <b>ALT8</b> - FLEXSPI0_A_DATA2 <b>ALT9</b> - SIM0_CLK <b>ALT10</b> - SAI0_TXD0 <b>ALT11</b> - PF_QSPI_DATA2	<b>IO Supply</b> - VDD_P3  <b>Pad type</b> - FAST  <b>Default</b> - DIS	
P3_9	F15	117	69	69	<b>ALT0</b> - P3_9 <b>ALT2</b> - FC6_P5 <b>ALT3</b> - FC7_P2 <b>ALT4</b> - CT_INP5 <b>ALT5</b> - PWM0_B2 <b>ALT6</b> - FLEXIO0_D17 <b>ALT7</b> - SMARTDMA_PIO9 <b>ALT8</b> - FLEXSPI0_A_DATA1 <b>ALT9</b> - SIM0_RST <b>ALT10</b> - SAI0_TX_FS <b>ALT11</b> - PF_QSPI_DATA1	<b>IO Supply</b> - VDD_P3  <b>Pad type</b> - FAST  <b>Default</b> - DIS	
P3_8	E14	118	70	70	<b>ALT0</b> - P3_8 <b>ALT2</b> - FC6_P4 <b>ALT3</b> - FC7_P0 <b>ALT4</b> - CT_INP4 <b>ALT5</b> - PWM0_A2 <b>ALT6</b> - FLEXIO0_D16	<b>IO Supply</b> - VDD_P3  <b>Pad type</b> - FAST  <b>Default</b> - DIS	<b>VDD SYS</b> - WUU0_IN23

Table continues on the next page...

Table 93. pinmux...continued

Pin Name	184BGA ALL	172HDQFP ALL	100HLQFP N94	100HLQFP N54/N53/N52/N24	Pinmux Assignment	Pad Settings	Alternate Functions
					<b>ALT7</b> - SMARTDMA_PIO8  <b>ALT8</b> - FLEXSPI0_A_DATA0  <b>ALT9</b> - SIM0_PD  <b>ALT10</b> - SAI0_TX_BCLK  <b>ALT11</b> - PF_QSPI_DATA0		
P3_7	D14	119	71	71	<b>ALT0</b> - P3_7  <b>ALT2</b> - FC6_P6  <b>ALT3</b> - FC7_P1  <b>ALT4</b> - CT4_MAT3  <b>ALT5</b> - PWM0_B1  <b>ALT6</b> - FLEXIO0_D15  <b>ALT7</b> - SMARTDMA_PIO7  <b>ALT8</b> - FLEXSPI0_A_SCLK  <b>ALT9</b> - SIM0_VCCEN  <b>ALT10</b> - SAI0_MCLK  <b>ALT11</b> - PF_QSPI_SCKIN	<b>IO Supply</b> - VDD_P3  <b>Pad type</b> - FAST  <b>Default</b> - DIS	
P3_6	D17	120	72	72	<b>ALT0</b> - P3_6  <b>ALT1</b> - CLKOUT  <b>ALT2</b> - FC6_P1  <b>ALT4</b> - CT4_MAT2  <b>ALT5</b> - PWM0_A1  <b>ALT6</b> - FLEXIO0_D14  <b>ALT7</b> - SMARTDMA_PIO6  <b>ALT8</b> - FLEXSPI0_A_DQS  <b>ALT9</b> - SIM1_VCCEN  <b>ALT10</b> - SAI1_MCLK  <b>ALT11</b> - PF_QSPI_CS_n	<b>IO Supply</b> - VDD_P3  <b>Pad type</b> - FAST  <b>Default</b> - DIS	
VSS	P12	121	0	0		<b>IO Supply</b> - VDD_P3  <b>Pad type</b> - VSSIO	

Table continues on the next page...

Table 93. pinmux...continued

Pin Name	184BGA ALL	172HDQFP ALL	100HLQFP N94	100HLQFP N54/N53/N52/N24	Pinmux Assignment	Pad Settings	Alternate Functions
VDD_P3	H12	122	73	73		<b>IO Supply</b> - VDD_P3 <b>Pad type</b> - VDDIO	
P3_5	G14	123	--	--	<b>ALT0</b> - P3_5 <b>ALT2</b> - FC7_P3 <b>ALT4</b> - CT_INP19 <b>ALT5</b> - PWM0_X3 <b>ALT6</b> - FLEXIO0_D13 <b>ALT7</b> - SMARTDMA_PIO5 <b>ALT9</b> - SIM1_IO	<b>IO Supply</b> - VDD_P3 <b>Pad type</b> - FAST <b>Default</b> - DIS	
P3_4	F14	124	--	--	<b>ALT0</b> - P3_4 <b>ALT2</b> - FC7_P2 <b>ALT4</b> - CT_INP18 <b>ALT5</b> - PWM0_X2 <b>ALT6</b> - FLEXIO0_D12 <b>ALT7</b> - SMARTDMA_PIO4 <b>ALT9</b> - SIM1_CLK	<b>IO Supply</b> - VDD_P3 <b>Pad type</b> - FAST <b>Default</b> - DIS	
P3_3	D16	125	--	--	<b>ALT0</b> - P3_3 <b>ALT2</b> - FC7_P1 <b>ALT4</b> - CT4_MAT1 <b>ALT5</b> - PWM0_X1 <b>ALT6</b> - FLEXIO0_D11 <b>ALT7</b> - SMARTDMA_PIO3 <b>ALT9</b> - SIM1_RST	<b>IO Supply</b> - VDD_P3 <b>Pad type</b> - FAST <b>Default</b> - DIS	
P3_2	D15	126	--	--	<b>ALT0</b> - P3_2 <b>ALT2</b> - FC7_P0 <b>ALT4</b> - CT4_MAT0 <b>ALT5</b> - PWM0_X0 <b>ALT6</b> - FLEXIO0_D10 <b>ALT7</b> - SMARTDMA_PIO2 <b>ALT9</b> - SIM1_PD	<b>IO Supply</b> - VDD_P3 <b>Pad type</b> - FAST <b>Default</b> - DIS	
P3_1	C15	127	74	74	<b>ALT0</b> - P3_1 <b>ALT1</b> - TRIG_IN1	<b>IO Supply</b> - VDD_P3 <b>Pad type</b> - FAST	

Table continues on the next page...

Table 93. pinmux...continued

Pin Name	184BGA ALL	172HDQFP ALL	100HLQFP N94	100HLQFP N54/N53/N52/N24	Pinmux Assignment	Pad Settings	Alternate Functions
					<b>ALT2</b> - FC6_P0 <b>ALT3</b> - FC7_P6 <b>ALT4</b> - CT_INP17 <b>ALT5</b> - PWM0_B0 <b>ALT6</b> - FLEXIO0_D9 <b>ALT7</b> - SMARTDMA_PIO1 <b>ALT8</b> - FLEXSPI0_A_SS1_b <b>ALT11</b> - PF_QSPI_CS1_DIS	<b>Default</b> - DIS	
P3_0	B17	128	75	75	<b>ALT0</b> - P3_0 <b>ALT1</b> - TRIG_IN0 <b>ALT3</b> - FC7_P3 <b>ALT4</b> - CT_INP16 <b>ALT5</b> - PWM0_A0 <b>ALT6</b> - FLEXIO0_D8 <b>ALT7</b> - SMARTDMA_PIO0 <b>ALT8</b> - FLEXSPI0_A_SS0_b <b>ALT11</b> - PF_QSPI_CS0_DIS	<b>IO Supply</b> - VDD_P3 <b>Pad type</b> - FAST <b>Default</b> - DIS	<b>VDD SYS</b> - WUU0_IN22
VSS	H9	--	--	--		<b>IO Supply</b> - VDD_P3 <b>Pad type</b> - VSSIO	
VDD_P3	--	129	--	--		<b>IO Supply</b> - VDD_P3 <b>Pad type</b> - VDDIO	
VDD	--	130	--	--		<b>IO Supply</b> - VDD <b>Pad type</b> - VDDIO	
VSS	J10	131	--	--		<b>IO Supply</b> - VDD <b>Pad type</b> - VSSIO	
P0_0	A17	132	76	76	<b>ALT0</b> - P0_0 <b>ALT1</b> - TMS/SWDIO <b>ALT2</b> - FC1_P0 <b>ALT4</b> - CT_INP0	<b>IO Supply</b> - VDD <b>Pad type</b> - MED <b>Default</b> - ALT1	
P0_1	A16	133	77	77	<b>ALT0</b> - P0_1	<b>IO Supply</b> - VDD	

Table continues on the next page...

Table 93. pinmux...continued

Pin Name	184BGA ALL	172HDQFP ALL	100HLQFP N94	100HLQFP N54/N53/N52/N24	Pinmux Assignment	Pad Settings	Alternate Functions
					<b>ALT1</b> - TCLK/SWCLK <b>ALT2</b> - FC1_P1 <b>ALT4</b> - CT_INP1	<b>Pad type</b> - MED <b>Default</b> - ALT1	
P0_2	B16	134	78	78	<b>ALT0</b> - P0_2 <b>ALT1</b> - TDO/SWO <b>ALT2</b> - FC1_P2 <b>ALT4</b> - CT0_MAT0 <b>ALT5</b> - UTICK_CAP0 <b>ALT10</b> - I3C0_PUR	<b>IO Supply</b> - VDD <b>Pad type</b> - MED <b>Default</b> - ALT1	
P0_3	B15	135	79	79	<b>ALT0</b> - P0_3 <b>ALT1</b> - TDI <b>ALT2</b> - FC1_P3 <b>ALT4</b> - CT0_MAT1 <b>ALT5</b> - UTICK_CAP1 <b>ALT8</b> - HSCMP0_OUT	<b>IO Supply</b> - VDD <b>Pad type</b> - MED <b>Default</b> - ALT1	<b>ANALOG</b> - CMP1_IN1
P0_4	B14	136	80	80	<b>ALT0</b> - P0_4 <b>ALT1</b> - EWM0_IN <b>ALT2</b> - FC0_P0 <b>ALT3</b> - FC1_P4 <b>ALT4</b> - CT0_MAT2 <b>ALT5</b> - UTICK_CAP2 <b>ALT8</b> - HSCMP1_OUT <b>ALT9</b> - PDM0_CLK	<b>IO Supply</b> - VDD <b>Pad type</b> - MED+I2C <b>Default</b> - DIS	<b>ANALOG</b> - TSI0_CH8 <b>VDD SYS</b> - WU0_IN0
P0_5	A14	137	81	81	<b>ALT0</b> - P0_5 <b>ALT1</b> - EWM0_OUT_b <b>ALT2</b> - FC0_P1 <b>ALT3</b> - FC1_P5 <b>ALT4</b> - CT0_MAT3 <b>ALT5</b> - UTICK_CAP3 <b>ALT9</b> - PDM0_DATA0	<b>IO Supply</b> - VDD <b>Pad type</b> - MED+I2C <b>Default</b> - DIS	<b>ANALOG</b> - TSI0_CH9
P0_6	C14	138	82	82	<b>ALT0</b> - P0_6 <b>ALT1</b> - ISPMODE_N <b>ALT2</b> - FC0_P2 <b>ALT3</b> - FC1_P6 <b>ALT4</b> - CT_INP2	<b>IO Supply</b> - VDD <b>Pad type</b> - MED <b>Default</b> - ALT1	<b>ISP</b> - ISPMODE_N <b>ANALOG</b> - TSI0_CH10

Table continues on the next page...

Table 93. pinmux...continued

Pin Name	184BGA ALL	172HDQFP ALL	100HLQFP N94	100HLQFP N54/N53/N52/N24	Pinmux Assignment	Pad Settings	Alternate Functions
					<b>ALT8</b> - HSCMP2_OUT <b>ALT9</b> - PDM0_DATA1		
P0_7	C13	139	--	--	<b>ALT0</b> - P0_7 <b>ALT2</b> - FC0_P3 <b>ALT4</b> - CT_INP3	<b>IO Supply</b> - VDD <b>Pad type</b> - MED <b>Default</b> - DIS	<b>ANALOG</b> - CMP2_IN1 <b>VDD SYS</b> - WUU0_IN1
P0_8	C12	140	--	--	<b>ALT0</b> - P0_8 <b>ALT2</b> - FC0_P4 <b>ALT4</b> - CT_INP0 <b>ALT6</b> - FLEXIO0_D0	<b>IO Supply</b> - VDD <b>Pad type</b> - MED <b>Default</b> - DIS	<b>ANALOG</b> - ADC0_B8
P0_9	A12	141	--	--	<b>ALT0</b> - P0_9 <b>ALT2</b> - FC0_P5 <b>ALT4</b> - CT_INP1 <b>ALT6</b> - FLEXIO0_D1	<b>IO Supply</b> - VDD <b>Pad type</b> - MED <b>Default</b> - DIS	<b>ANALOG</b> - ADC0_B9
P0_10	B12	142	--	--	<b>ALT0</b> - P0_10 <b>ALT2</b> - FC0_P6 <b>ALT4</b> - CT0_MAT0 <b>ALT6</b> - FLEXIO0_D2	<b>IO Supply</b> - VDD <b>Pad type</b> - MED <b>Default</b> - DIS	<b>ANALOG</b> - ADC0_B10
P0_11	B11	143	--	--	<b>ALT0</b> - P0_11 <b>ALT4</b> - CT0_MAT1 <b>ALT6</b> - FLEXIO0_D3 <b>ALT8</b> - HSCMP2_OUT	<b>IO Supply</b> - VDD <b>Pad type</b> - MED <b>Default</b> - DIS	<b>ANALOG</b> - ADC0_B11
VDD	G7	144	83	83		<b>IO Supply</b> - VDD <b>Pad type</b> - VDDIO	
VSS	D9	145	0	0		<b>IO Supply</b> - VDD <b>Pad type</b> - VSSIO	
P0_12	D11	146	--	--	<b>ALT0</b> - P0_12 <b>ALT2</b> - FC1_P4 <b>ALT3</b> - FC0_P0 <b>ALT4</b> - CT0_MAT2 <b>ALT6</b> - FLEXIO0_D4	<b>IO Supply</b> - VDD <b>Pad type</b> - MED <b>Default</b> - DIS	<b>ANALOG</b> - ADC0_B12/NVM_TM0
P0_13	F12	147	--	--	<b>ALT0</b> - P0_13 <b>ALT2</b> - FC1_P5 <b>ALT3</b> - FC0_P1 <b>ALT4</b> - CT0_MAT3	<b>IO Supply</b> - VDD <b>Pad type</b> - MED <b>Default</b> - DIS	<b>ANALOG</b> - ADC0_B13/NVM_TM1

Table continues on the next page...

Table 93. pinmux...continued

Pin Name	184BGA ALL	172HDQFP ALL	100HLQFP N94	100HLQFP N54/N53/N52/N24	Pinmux Assignment	Pad Settings	Alternate Functions
					ALT6 - FLEXIO0_D5		
P0_14	E11	148	--	--	ALT0 - P0_14 ALT2 - FC1_P6 ALT3 - FC0_P2 ALT4 - CT_INP2 ALT5 - UTICK_CAP0 ALT6 - FLEXIO0_D6	IO Supply - VDD Pad type - MED Default - DIS	ANALOG - ADC0_B14/NVM_TM2
P0_15	G13	149	--	--	ALT0 - P0_15 ALT3 - FC0_P3 ALT4 - CT_INP3 ALT5 - UTICK_CAP1 ALT6 - FLEXIO0_D7	IO Supply - VDD Pad type - MED Default - DIS	ANALOG - ADC0_B15/NVM_TM3
P0_16	B10	150	84	84	ALT0 - P0_16 ALT2 - FC0_P0 ALT4 - CT0_MAT0 ALT5 - UTICK_CAP2 ALT6 - FLEXIO0_D0 ALT9 - PDM0_CLK ALT10 - I3C0_SDA	IO Supply - VDD Pad type - MED+I2C+I3C Default - DIS	ISP - I2C_SDA ANALOG - TSI0_CH11/ADC0_A8 VDD SYS - WUU0_IN2
P0_17	A10	151	85	85	ALT0 - P0_17 ALT2 - FC0_P1 ALT4 - CT0_MAT1 ALT5 - UTICK_CAP3 ALT6 - FLEXIO0_D1 ALT9 - PDM0_DATA0 ALT10 - I3C0_SCL	IO Supply - VDD Pad type - MED+I2C Default - DIS	ISP - I2C_SCL ANALOG - TSI0_CH12/ADC0_A9
P0_18	C10	152	86	86	ALT0 - P0_18 ALT1 - EWM0_IN ALT2 - FC0_P2 ALT4 - CT0_MAT2 ALT6 - FLEXIO0_D2 ALT8 - HSCMP0_OUT ALT9 - PDM0_DATA1	IO Supply - VDD Pad type - MED Default - DIS	ANALOG - TSI0_CH13/ADC0_A10
P0_19	C9	153	87	87	ALT0 - P0_19 ALT1 - EWM0_OUT_b	IO Supply - VDD Pad type - MED	ANALOG - TSI0_CH14/ADC0_A11

Table continues on the next page...

Table 93. pinmux...continued

Pin Name	184BGA ALL	172HDQFP ALL	100HLQFP N94	100HLQFP N54/N53/N52/N24	Pinmux Assignment	Pad Settings	Alternate Functions
					<b>ALT2</b> - FC0_P3 <b>ALT4</b> - CT0_MAT3 <b>ALT6</b> - FLEXIO0_D3 <b>ALT8</b> - HSCMP1_OUT	<b>Default</b> - DIS	<b>VDD SYS</b> - WUU0_IN3
P0_20	C8	154	88	88	<b>ALT0</b> - P0_20 <b>ALT2</b> - FC0_P4 <b>ALT3</b> - FC1_P0 <b>ALT4</b> - CT_INP0 <b>ALT6</b> - FLEXIO0_D4 <b>ALT10</b> - I3C0_SDA	<b>IO Supply</b> - VDD <b>Pad type</b> - MED+I2C+I3C <b>Default</b> - DIS	<b>ANALOG</b> - TSI0_CH15/ADC0_A12 <b>VDD SYS</b> - WUU0_IN4
P0_21	A8	155	89	89	<b>ALT0</b> - P0_21 <b>ALT2</b> - FC0_P5 <b>ALT3</b> - FC1_P1 <b>ALT4</b> - CT_INP1 <b>ALT6</b> - FLEXIO0_D5 <b>ALT10</b> - I3C0_SCL	<b>IO Supply</b> - VDD <b>Pad type</b> - MED+I2C <b>Default</b> - DIS	<b>ANALOG</b> - TSI0_CH16/ADC0_A13
P0_22	B8	156	90	90	<b>ALT0</b> - P0_22 <b>ALT1</b> - EWM0_IN <b>ALT2</b> - FC0_P6 <b>ALT3</b> - FC1_P2 <b>ALT4</b> - CT_INP2 <b>ALT6</b> - FLEXIO0_D6 <b>ALT10</b> - I3C0_PUR	<b>IO Supply</b> - VDD <b>Pad type</b> - MED <b>Default</b> - DIS	<b>ANALOG</b> - ADC0_A14/CMP1_IN2
P0_23	B7	157	91	91	<b>ALT0</b> - P0_23 <b>ALT1</b> - EWM0_OUT_b <b>ALT3</b> - FC1_P3 <b>ALT4</b> - CT_INP3 <b>ALT6</b> - FLEXIO0_D7	<b>IO Supply</b> - VDD <b>Pad type</b> - MED <b>Default</b> - DIS	<b>ANALOG</b> - ADC0_A15/CMP2_IN2 <b>VDD SYS</b> - WUU0_IN5
VSS	H13	--	--	--		<b>IO Supply</b> - VDD <b>Pad type</b> - VSSIO	
P0_24	B6	158	--	--	<b>ALT0</b> - P0_24 <b>ALT2</b> - FC1_P0 <b>ALT4</b> - CT0_MAT0	<b>IO Supply</b> - VDD <b>Pad type</b> - MED <b>Default</b> - DIS	<b>ANALOG</b> - ADC0_B16
P0_25	A6	159	--	--	<b>ALT0</b> - P0_25	<b>IO Supply</b> - VDD	<b>ANALOG</b> - ADC0_B17

Table continues on the next page...

Table 93. pinmux...continued

Pin Name	184BGA ALL	172HDQFP ALL	100HLQFP N94	100HLQFP N54/N53/N52/N24	Pinmux Assignment	Pad Settings	Alternate Functions
					ALT2 - FC1_P1 ALT4 - CT0_MAT1	Pad type - MED Default - DIS	
P0_26	F10	160	--	--	ALT0 - P0_26 ALT2 - FC1_P2 ALT4 - CT0_MAT2	IO Supply - VDD Pad type - MED Default - DIS	ANALOG - ADC0_B18
P0_27	E10	161	--	--	ALT0 - P0_27 ALT2 - FC1_P3 ALT4 - CT0_MAT3	IO Supply - VDD Pad type - MED Default - DIS	ANALOG - ADC0_B19
P0_28	E8	--	--	--	ALT0 - P0_28 ALT2 - FC1_P4 ALT3 - FC0_P4 ALT4 - CT_INP0	IO Supply - VDD Pad type - MED Default - DIS	ANALOG - ADC0_B20
P0_29	F8	--	--	--	ALT0 - P0_29 ALT2 - FC1_P5 ALT3 - FC0_P5 ALT4 - CT_INP1	IO Supply - VDD Pad type - MED Default - DIS	ANALOG - ADC0_B21
P0_30	E7	--	--	--	ALT0 - P0_30 ALT2 - FC1_P6 ALT3 - FC0_P6 ALT4 - CT_INP2	IO Supply - VDD Pad type - MED Default - DIS	ANALOG - ADC0_B22
P0_31	D7	--	--	--	ALT0 - P0_31 ALT4 - CT_INP3	IO Supply - VDD Pad type - MED Default - DIS	ANALOG - ADC0_B23
P1_0	C6	162	92	92	ALT0 - P1_0 ALT1 - TRIG_IN0 ALT2 - FC3_P0 ALT3 - FC4_P4 ALT4 - CT_INP4 ALT5 - SCT0_OUT6 ALT6 - FLEXIO0_D8 ALT10 - SAI1_TX_BCLK	IO Supply - VDD Pad type - MED+I2C Default - DIS	ISP - SPI_SDO ANALOG - TSI0_CH0/ ADC0_A16/CMP0_IN0 VDD SYS - WUU0_IN6/ LPTMR0_ALT3
P1_1	C5	163	93	93	ALT0 - P1_1 ALT1 - TRIG_IN1 ALT2 - FC3_P1	IO Supply - VDD Pad type - MED+I2C Default - DIS	ISP - SPI_SCK ANALOG - TSI0_CH1/ ADC0_A17/CMP1_IN0

Table continues on the next page...

Table 93. pinmux...continued

Pin Name	184BGA ALL	172HDQFP ALL	100HLQFP N94	100HLQFP N54/N53/N52/N24	Pinmux Assignment	Pad Settings	Alternate Functions
					<b>ALT3</b> - FC4_P5 <b>ALT4</b> - CT_INP5 <b>ALT5</b> - SCT0_OUT7 <b>ALT6</b> - FLEXIO0_D9 <b>ALT10</b> - SAI1_TX_FS		
P1_2	C4	164	94	94	<b>ALT0</b> - P1_2 <b>ALT1</b> - TRIG_OUT0 <b>ALT2</b> - FC3_P2 <b>ALT3</b> - FC4_P6 <b>ALT4</b> - CT1_MAT0 <b>ALT5</b> - SCT0_IN6 <b>ALT6</b> - FLEXIO0_D10 <b>ALT9</b> - ENET0_MDC <b>ALT10</b> - SAI1_TXD0 <b>ALT11</b> - CAN0_TXD	<b>IO Supply</b> - VDD <b>Pad type</b> - MED <b>Default</b> - DIS	<b>ISP</b> - SPI_SDI <b>ANALOG</b> - TSI0_CH2/ ADC0_A18/CMP2_IN0
P1_3	B4	165	95	95	<b>ALT0</b> - P1_3 <b>ALT1</b> - TRIG_OUT1 <b>ALT2</b> - FC3_P3 <b>ALT4</b> - CT1_MAT1 <b>ALT5</b> - SCT0_IN7 <b>ALT6</b> - FLEXIO0_D11 <b>ALT9</b> - ENET0_MDIO <b>ALT10</b> - SAI1_RXD0 <b>ALT11</b> - CAN0_RXD	<b>IO Supply</b> - VDD <b>Pad type</b> - MED <b>Default</b> - DIS	<b>ISP</b> - SPI_PCS <b>ANALOG</b> - TSI0_CH3/ ADC0_A19/CMP0_IN1 <b>VDD SYS</b> - WUU0_IN7
VDD	H6	166	96	96		<b>IO Supply</b> - VDD <b>Pad type</b> - VDDIO	
VSS	D12	167	0	0		<b>IO Supply</b> - VDD <b>Pad type</b> - VSSIO	
P1_4	A4	168	97	97	<b>ALT0</b> - P1_4 <b>ALT1</b> - FREQME_CLK_IN0 <b>ALT2</b> - FC3_P4 <b>ALT3</b> - FC5_P0 <b>ALT4</b> - CT1_MAT2 <b>ALT5</b> - SCT0_OUT0	<b>IO Supply</b> - VDD <b>Pad type</b> - MED <b>Default</b> - DIS	<b>ANALOG</b> - TSI0_CH4/ ADC0_A20/CMP0_IN2 <b>VDD SYS</b> - WUU0_IN8

Table continues on the next page...

Table 93. pinmux...continued

Pin Name	184BGA ALL	172HDQFP ALL	100HLQFP N94	100HLQFP N54/N53/N52/N24	Pinmux Assignment	Pad Settings	Alternate Functions
					<b>ALT6</b> - FLEXIO0_D12 <b>ALT7</b> - SMARTDMA_PIO0 <b>ALT9</b> - ENET0_TX_CLK <b>ALT10</b> - SAI0_TXD1		
P1_5	B3	169	98	98	<b>ALT0</b> - P1_5 <b>ALT1</b> - FREQME_CLK_IN1 <b>ALT2</b> - FC3_P5 <b>ALT3</b> - FC5_P1 <b>ALT4</b> - CT1_MAT3 <b>ALT5</b> - SCT0_OUT1 <b>ALT6</b> - FLEXIO0_D13 <b>ALT7</b> - SMARTDMA_PIO1 <b>ALT9</b> - ENET0_TXEN <b>ALT10</b> - SAI0_RXD1	<b>IO Supply</b> - VDD <b>Pad type</b> - MED <b>Default</b> - DIS	<b>ANALOG</b> - TSI0_CH5/ ADC0_A21/CMP0_IN3
P1_6	B2	170	99	99	<b>ALT0</b> - P1_6 <b>ALT1</b> - TRIG_IN2 <b>ALT2</b> - FC3_P6 <b>ALT3</b> - FC5_P2 <b>ALT4</b> - CT_INP6 <b>ALT5</b> - SCT0_IN0 <b>ALT6</b> - FLEXIO0_D14 <b>ALT7</b> - SMARTDMA_PIO2 <b>ALT9</b> - ENET0_TXD0 <b>ALT10</b> - SAI1_RX_BCLK <b>ALT11</b> - CAN1_TXD	<b>IO Supply</b> - VDD <b>Pad type</b> - MED <b>Default</b> - DIS	<b>ANALOG</b> - TSI0_CH6/ADC0_A22
P1_7	A2	171	100	100	<b>ALT0</b> - P1_7 <b>ALT1</b> - TRIG_OUT2 <b>ALT3</b> - FC5_P3 <b>ALT4</b> - CT_INP7 <b>ALT5</b> - SCT0_IN1 <b>ALT6</b> - FLEXIO0_D15 <b>ALT7</b> - SMARTDMA_PIO3	<b>IO Supply</b> - VDD <b>Pad type</b> - MED <b>Default</b> - DIS	<b>ANALOG</b> - TSI0_CH7/ADC0_A23 <b>VDD SYS</b> - WUU0_IN9

Table continues on the next page...

Table 93. pinmux...continued

Pin Name	184BGA ALL	172HDQFP ALL	100HLQFP N94	100HLQFP N54/N53/N52/N24	Pinmux Assignment	Pad Settings	Alternate Functions
					<b>ALT8</b> - PLU_CLK <b>ALT9</b> - ENET0_TXD1 <b>ALT10</b> - SAI1_RX_FS <b>ALT11</b> - CAN1_RXD		

**Note:** HLQFP pin 0 is the thermal pad on the bottom of the package and must be connected to GND.

**Note:**

1. For BGA package, all balls with same name are shorted together on BGA package.
2. VSS\_ANA and VSS\_P4 are shorted together on package.
3. +I3C in Pad Type represents strong pull up resistor is implemented on the pin. PV bit is implemented in the Pin Control register of the pin.
4. +I2C in Pad Type represents I2C filter is implemented on the pin. PFE bit is implemented in the Pin Control register of the pin
5. DIS in default column means the pin's input buffer is disabled by default
6. AON and RST pads support passive filter. PFE bit is implemented in the Pin Control register of the pin
7. PE, PS, SRE, ODE and DSE are supported in the Pin Control register of all types of IO.

### 6.2 MCX N9xx/N5xx/N24x Pinout Diagrams

The pinout diagrams are provided in an Excel file attached to this document:

1. Click the paperclip symbol on the left side of the PDF window.
2. Double-click on the Excel file to open it.
3. Select the respective package tab.

Many signals may be multiplexed onto a single pin. To determine what signals can be used on which pin, refer to the MCX\_N9xx\_N5xx\_N24x\_Pinmux tab in the Excel file.

### 6.3 Recommended connection for unused analog and digital pins

Table 94 shows the recommended connections for pins if those pins are not used in the customer's application

Table 94. Recommended connection for unused interfaces

Pin Type	Pin Name	Recommendation	Comments
Power	VDD_LDO_CORE	Connect to VDD_CORE	When the LDO_CORE is bypassed, the input VDD_LDO_CORE and output VOUT_CORE/ VDD_CORE should be connected together, and tied to the output from DCDC_CORE. The regulator should also be disabled in software.
Power	VDD_CORE	Connect to VDD_LDO_CORE	When the LDO_CORE is bypassed, the input VDD_LDO_CORE and output VOUT_CORE/ VDD_CORE should be connected together, and

Table continues on the next page...

Table 94. Recommended connection for unused interfaces...continued

Pin Type	Pin Name	Recommendation	Comments
			<p>connected to the output from DCDC_CORE. The regulator should also be disabled in software.</p>
Power	VDD_LDO_SYS	Connect to VDD_SYS	<p>When the LDO_SYS is bypassed, the input VDD_LDO_SYS and output VOUT_SYS should be connected together and tied to an external supply. The regulator should also be disabled in software.</p>
Power	VDD_DCDC	Ground	<p>When the DCDC is not used, the input should be tied to VSS through a 10 kΩ resistor.</p>
Power	DCDC_LX	Float	<p>The input VDD_DCDC should be tied to VSS with 10 Kohm</p>
Power	VDD_SYS/VOUT_SYS	Must be powered	<p>VDD_SYS is used to power parts of the system power controller (SPC) and must be powered to use the chip. If LDO_SYS is not being used, then tie VDD_LDO_SYS to VOUT_SYS/VDD_SYS and supply power from an external source. The regulator should also be disabled in software.</p>
Power	VDD	Must be powered	<p>VDD powers the mux logic for PORT 0, PORT 1, and Flash. It must be powered during POR. The recommendation is to keep it powered, but it can be connected to the output of the Smart Power Switch and be left floating in shelf storage mode.</p>
Power	VDD_ANA	Float	<p>VDD_ANA is allowed to float ONLY if VDD_P4 is allowed to float. Otherwise, VDD_ANA MUST be powered and all requirements for VDD_ANA stated in this document apply.</p>
Power	VDD_USB	Tie to ground through a 10 kΩ resistor if VDD_USB is an independent pin in the package version used	
Power	VREFH	Always connect to VDD_ANA potential	Always connect to VDD_ANA potential
Power	VREFL	Always connect to VSS potential	Always connect to VSS potential
Power	VSS_ANA	Always connect to VSS potential	Always connect to VSS potential
Power	VSS_DCDC	Always connect to VSS potential	Always connect to VSS potential
Power	VSS_USB	Always connect to VSS potential	Always connect to VSS potential
Analog/non-GPIO	ADC <sub>n,x</sub>	Float	

Table continues on the next page...

Table 94. Recommended connection for unused interfaces...continued

Pin Type	Pin Name	Recommendation	Comments
Analog/non-GPIO	ADC <sub>n</sub> /DAC <sub>n</sub> _OUT	Float	
Analog/non-GPIO	VREF_OUT	Float	Analog output - Float
Analog/non-GPIO	TAMPERx	Float	
Analog/non-GPIO	VBAT_WAKEUP_b	Float	
Analog/non-GPIO	RTC_CLKOUT	Float	
Analog/non-GPIO	EXTAL32K	Float	
Analog/non-GPIO	XTAL32K	Float	Analog output - Float
Analog/non-GPIO	EXTAL_32M	Float	
Analog/non-GPIO	XTAL_32M	Float	Analog output - Float
Analog/non-GPIO	USB0_DP	Float	Float
Analog/non-GPIO	USB1_DP	Float	Float
Analog/non-GPIO	USB0_DM	Float	Float
Analog/non-GPIO	USB1_DM	Float	Float
Analog/non-GPIO	USB1_VBUS	Float	
Analog/non-GPIO	USB1_ID	Float	
GPIO/Analog	Px/ADC <sub>n</sub> _x	Float	Float (default is analog input)
GPIO/Analog	Px/CMP <sub>n</sub> _IN <sub>x</sub>	Float	Float (default is analog input)
GPIO/Digital	P0_1/JTAG_TCLK	Float	Float (default is JTAG with pulldown)
GPIO/Digital	P0_3/JTAG_TDI	Float	Float (default is JTAG with pullup)
GPIO/Digital	P0_2/JTAG_TDO	Float	Float (default is JTAG with pullup)
GPIO/Digital	P0_0/JTAG_TMS	Float	Float (default is JTAG with pullup)
GPIO/Digital	Px	Float	Float (default is disabled)

## 7 Ordering parts

### 7.1 Determining valid orderable parts

Valid orderable part numbers are provided on the web. To determine the orderable part numbers for this device, go to [nxp.com](http://nxp.com) and perform a part number search for the following device numbers:MCXN946VKLT

**Note:** For complete list of Orderable part numbers, please refer [Table 1](#)

## 8 Part identification

Part numbers for the device have fields that identify the specific part. Use the values of these fields to determine the specific part.

### 8.1 Description

Part numbers for the chip have fields that identify the specific part. You can use the values of these fields to determine the specific part you have received.

### 8.2 Part number format

Part numbers for this device have the following format:

Q B PS F T PG PT

**Table 95. Part number fields descriptions**

Field	Description	Values
Q	Qualification Status	<ul style="list-style-type: none"> <li>• P = Prequalification</li> <li>• Blank = Fully qualified, general market flow</li> </ul>
B	Brand	<ul style="list-style-type: none"> <li>• MCX</li> </ul>
PS	Product series name	<ul style="list-style-type: none"> <li>• N</li> </ul>
F	Family	<ul style="list-style-type: none"> <li>• 2xx</li> <li>• 5xx</li> <li>• 9xx</li> </ul>
T	Junction Temperature range (°C)	<ul style="list-style-type: none"> <li>• V = -40 to 125</li> </ul>
PG	Package	<ul style="list-style-type: none"> <li>• KL = 100 HLQFP (14 x 14 x 1 mm, 0.5 mm pitch)</li> <li>• DF = 184 VFBGA (9 x 9 x 0.85 mm, 0.5 mm pitch)</li> <li>• PB = 172 HDQFP (16 x 16 x 1.65 mm, 0.65 mm pitch)</li> </ul>
PT	Package Type	<ul style="list-style-type: none"> <li>• R = Tape and Reel</li> <li>• T = Tray</li> </ul>

### 8.3 Example

This is an example part number:

MCXN946VKLT

### 8.4 Package marking

#### 8.4.1 Package marking information

VFBGA and HLQFP packages have the following top-side marking:

- First line: NXP logo
- Second line: Part number, minus the package extension info (ex. part# = PMCXN947VDFT, marking = PMCXN947V)
- Third line: Lot Information: (assembly site + wafer/diffusion lot + assembly lot)
- Fourth line: Trace Code: (year + work week)

- Fifth line: Mask set

Table 96. VFBGA and HLQFP Package marking

Identifier
(O)
PMCCXNxxxV
AWLZ
YYWW
MMMMM

HDQFP package has the following top-side marking:

- First line: NXP logo
- Second line: Part number, minus the package extension info (ex. part# = PMCCXN947VPBT, marking = PMCCXN947VPB)
- Third line: Mask set
- Fourth line: assembly site + wafer/diffusion lot + Trace Code (year + work week) + assembly lot

Table 97. Package marking HDQFP

Identifier
(O)
PMCCXNxxxVPB
MMMMM
AAWLYYWWZZ

## 9 Terminology and guidelines

### 9.1 Definitions

Key terms are defined in the following table:

Term	Definition
Rating	<p>A minimum or maximum value of a technical characteristic that, if exceeded, may cause permanent chip failure:</p> <ul style="list-style-type: none"> <li>• <i>Operating ratings</i> apply during operation of the chip.</li> <li>• <i>Handling ratings</i> apply when the chip is not powered.</li> </ul> <p><b>Note:</b> <i>The likelihood of permanent chip failure increases rapidly as soon as a characteristic begins to exceed one of its operating ratings.</i></p>
Operating requirement	<p>A specified value or range of values for a technical characteristic that you must guarantee during operation to avoid incorrect operation and possibly decreasing the useful life of the chip</p>
Operating behavior	<p>A specified value or range of values for a technical characteristic that are guaranteed during operation if you meet the operating requirements and any other specified conditions</p>

*Table continues on the next page...*

Table continued from the previous page...

Term	Definition
Typical value	<p>A specified value for a technical characteristic that:</p> <ul style="list-style-type: none"> <li>Lies within the range of values specified by the operating behavior</li> <li>Is representative of that characteristic during operation when you meet the <a href="#">typical-value conditions</a> or other specified conditions</li> </ul> <p><b>Note:</b> Typical values are provided as design guidelines and are neither tested nor guaranteed.</p>

## 9.2 Examples

### Operating rating:

Symbol	Description	Min.	Max.	Unit
V <sub>DD</sub>	1.0 V core supply voltage	-0.3	1.2	V

### Operating requirement:

Symbol	Description	Min.	Max.	Unit
V <sub>DD</sub>	1.0 V core supply voltage	0.9	1.1	V

### Operating behavior that includes a typical value:

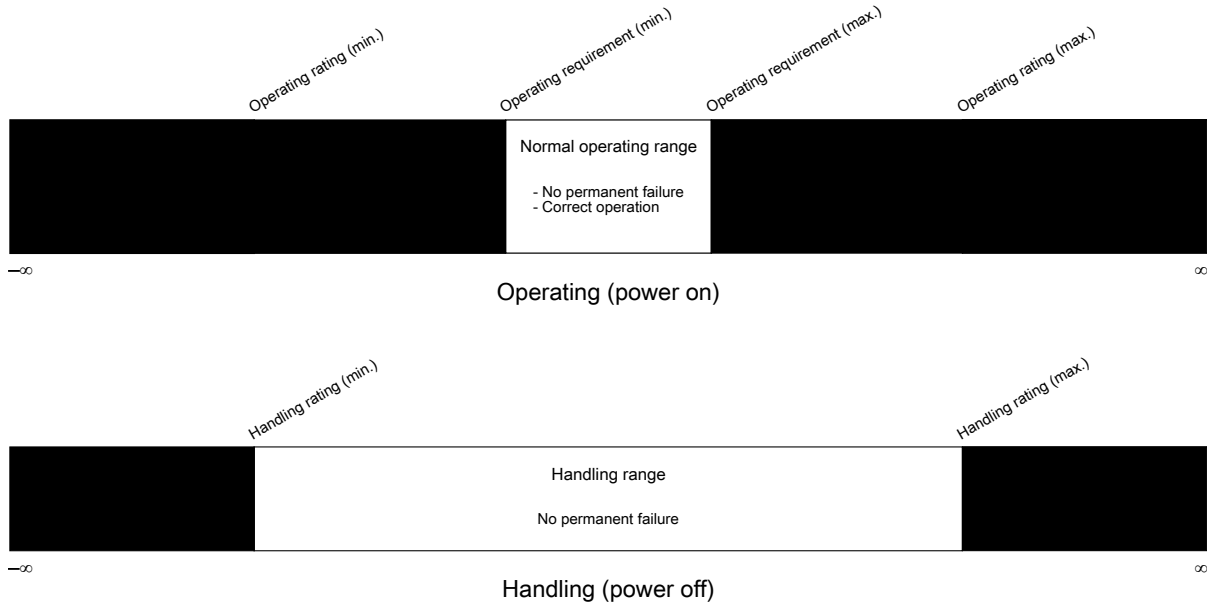
Symbol	Description	Min.	Typ.	Max.	Unit
I <sub>WP</sub>	Digital I/O weak pullup/pulldown current	10	70	130	μA

## 9.3 Typical-value conditions

Typical values assume you meet the following conditions (or other conditions as specified):

Symbol	Description	Value	Unit
T <sub>A</sub>	Ambient temperature	25	°C
V <sub>DD</sub>	Supply voltage	3.3	V

### 9.4 Relationship between ratings and operating requirements



### 9.5 Guidelines for ratings and operating requirements

Follow these guidelines for ratings and operating requirements:

- Never exceed any of the chip’s ratings.
- During normal operation, don’t exceed any of the chip’s operating requirements.
- If you must exceed an operating requirement at times other than during normal operation (for example, during power sequencing), limit the duration as much as possible.

## 10 Revision history

The following table provides a revision history for this document.

Table 98. Revision history

Rev.No.	Date	Substantial changes
8	Sept 2025	<ul style="list-style-type: none"> <li>• Updated the title of the document. MCXNP184M150F70v.8 is an update of MCXNX4X v.7</li> <li>• Updated "Ordering Information"</li> <li>• Updated <a href="#">Table 1</a>.</li> <li>• Updated <a href="#">Feature comparison</a></li> <li>• Removed VDD_CORE from <a href="#">Table 9</a>.</li> <li>• Updated the table "Thermal attributes"</li> <li>• In the table "Part number field description", added a bullet for the Field "F"</li> </ul>
7	Dec 2024	<ul style="list-style-type: none"> <li>• Added HDQFP172 package details.</li> <li>• Updated notes in <a href="#">Feature comparison</a></li> </ul>

Table continues on the next page...

Table 98. Revision history...continued

Rev.No.	Date	Substantial changes
		<ul style="list-style-type: none"> <li>Added a note in <a href="#">Table 1</a>.</li> <li>Added a row in <a href="#">Table 95</a>.</li> <li>Updated <a href="#">Table 92</a> in <a href="#">Tamper</a>.</li> </ul>
6	June 2024	<ul style="list-style-type: none"> <li>Added VREFH and VREL in <a href="#">Table 8</a>.</li> <li>In the front page content, updated features section completely, added new block diagram and renamed the existing diagram as MCX N94x / N54x Architecture and so on.</li> <li>Updated Pinout table for Vss row of HLQFP pin entries.</li> <li>Updated <a href="#">Table 92</a>.</li> <li>Added new tables VDD_CORE supply HVD and LVD Operating Requirements, and VBAT supply POR operating requirements in <a href="#">HVD, LVD, and POR operating requirements</a>.</li> <li>Removed VDD_P2 row from <a href="#">Table 93</a>.</li> <li>Removed all occurrences of IDD_VBAT_TAMPER</li> <li>Removed TRNG block from <a href="#">Figure 2</a>.</li> </ul>
5	March 2024	<ul style="list-style-type: none"> <li>Removed note for 100HLQFP package from the front page.</li> <li>Updated title of the document.</li> <li>Updated front-matter for Power-efficient, Low-Power Performance, Analog modules, and Communication Interfaces.</li> <li>Updated temperature range in <a href="#">Part number format</a> from "-40 to 105" to "-40 to 125".</li> <li>Updated <a href="#">Power Consumption Operating Behaviors</a>.</li> <li>Updated <a href="#">General switching specifications</a>.</li> <li>Updated <a href="#">Table VDD_CORE supply HVD and LVD Operating Requirements</a> in <a href="#">HVD, LVD, and POR operating requirements</a>.</li> <li>Updated <a href="#">ADC electrical characteristics</a>.</li> <li>Removed PF_* entries from <a href="#">Table 93</a>. Also, updated attached Pinout excel sheet accordingly.</li> <li>Updated SYSCON[DIEID] in <a href="#">Table 2</a>.</li> <li>Updated Resource for the Type Chip Errata in <a href="#">Table 3</a>.</li> <li>Updated footnote 7 in <a href="#">Table 15</a>.</li> <li>Updated the value of Max for the Symbol tpon in <a href="#">Table 41</a>.</li> <li>Updated footnote 7 in <a href="#">Table 56</a>.</li> <li>Added a footnote in <a href="#">Table 64</a> and updated the Max value for the Symbol Vacc.</li> <li>Updated the values of Pin name VSS from H5 to G2 and E19 to E13 for 184BGA ALL in <a href="#">Table 93</a>.</li> <li>Updated the values of A, B and <math>\alpha</math> in <a href="#">Table 57</a>.</li> </ul>
4	Jan 2024	Initial public release

## Legal information

### Data sheet status

Document status <sup>[1][2]</sup>	Product status <sup>[3]</sup>	Definition
Objective [short] data sheet	Development	This document contains data from the objective specification for product development.
Preliminary [short] data sheet	Qualification	This document contains data from the preliminary specification.
Product [short] data sheet	Production	This document contains the product specification.

[1] Please consult the most recently issued document before initiating or completing a design.

[2] The term 'short data sheet' is explained in section "Definitions".

[3] The product status of device(s) described in this document may have changed since this document was published and may differ in case of multiple devices. The latest product status information is available on the Internet at URL <https://www.nxp.com>.

### Definitions

**Draft** — A draft status on a document indicates that the content is still under internal review and subject to formal approval, which may result in modifications or additions. NXP Semiconductors does not give any representations or warranties as to the accuracy or completeness of information included in a draft version of a document and shall have no liability for the consequences of use of such information.

**Short data sheet** — A short data sheet is an extract from a full data sheet with the same product type number(s) and title. A short data sheet is intended for quick reference only and should not be relied upon to contain detailed and full information. For detailed and full information see the relevant full data sheet, which is available on request via the local NXP Semiconductors sales office. In case of any inconsistency or conflict with the short data sheet, the full data sheet shall prevail.

**Product specification** — The information and data provided in a Product data sheet shall define the specification of the product as agreed between NXP Semiconductors and its customer, unless NXP Semiconductors and customer have explicitly agreed otherwise in writing. In no event however, shall an agreement be valid in which the NXP Semiconductors product is deemed to offer functions and qualities beyond those described in the Product data sheet.

### Disclaimers

**Limited warranty and liability** — Information in this document is believed to be accurate and reliable. However, NXP Semiconductors does not give any representations or warranties, expressed or implied, as to the accuracy or completeness of such information and shall have no liability for the consequences of use of such information. NXP Semiconductors takes no responsibility for the content in this document if provided by an information source outside of NXP Semiconductors.

In no event shall NXP Semiconductors be liable for any indirect, incidental, punitive, special or consequential damages (including - without limitation - lost profits, lost savings, business interruption, costs related to the removal or replacement of any products or rework charges) whether or not such damages are based on tort (including negligence), warranty, breach of contract or any other legal theory.

Notwithstanding any damages that customer might incur for any reason whatsoever, NXP Semiconductors' aggregate and cumulative liability towards customer for the products described herein shall be limited in accordance with the Terms and conditions of commercial sale of NXP Semiconductors.

**Right to make changes** — NXP Semiconductors reserves the right to make changes to information published in this document, including without limitation specifications and product descriptions, at any time and without notice. This document supersedes and replaces all information supplied prior to the publication hereof.

**Suitability for use** — NXP Semiconductors products are not designed, authorized or warranted to be suitable for use in life support, life-critical or safety-critical systems or equipment, nor in applications where failure or malfunction of an NXP Semiconductors product can reasonably be expected to result in personal injury, death or severe property or environmental damage. NXP Semiconductors and its suppliers accept no liability for inclusion and/or use of NXP Semiconductors products in such equipment or applications and therefore such inclusion and/or use is at the customer's own risk.

**Applications** — Applications that are described herein for any of these products are for illustrative purposes only. NXP Semiconductors makes no representation or warranty that such applications will be suitable for the specified use without further testing or modification.

Customers are responsible for the design and operation of their applications and products using NXP Semiconductors products, and NXP Semiconductors accepts no liability for any assistance with applications or customer product design. It is customer's sole responsibility to determine whether the NXP Semiconductors product is suitable and fit for the customer's applications and products planned, as well as for the planned application and use of customer's third party customer(s). Customers should provide appropriate design and operating safeguards to minimize the risks associated with their applications and products.

NXP Semiconductors does not accept any liability related to any default, damage, costs or problem which is based on any weakness or default in the customer's applications or products, or the application or use by customer's third party customer(s). Customer is responsible for doing all necessary testing for the customer's applications and products using NXP Semiconductors products in order to avoid a default of the applications and the products or of the application or use by customer's third party customer(s). NXP does not accept any liability in this respect.

**Limiting values** — Stress above one or more limiting values (as defined in the Absolute Maximum Ratings System of IEC 60134) will cause permanent damage to the device. Limiting values are stress ratings only and (proper) operation of the device at these or any other conditions above those given in the Recommended operating conditions section (if present) or the Characteristics sections of this document is not warranted. Constant or repeated exposure to limiting values will permanently and irreversibly affect the quality and reliability of the device.

**Terms and conditions of commercial sale** — NXP Semiconductors products are sold subject to the general terms and conditions of commercial sale, as published at <https://www.nxp.com/profile/terms>, unless otherwise agreed in a valid written individual agreement. In case an individual agreement is concluded only the terms and conditions of the respective agreement shall apply. NXP Semiconductors hereby expressly objects to applying the customer's general terms and conditions with regard to the purchase of NXP Semiconductors products by customer.

**No offer to sell or license** — Nothing in this document may be interpreted or construed as an offer to sell products that is open for acceptance or the grant, conveyance or implication of any license under any copyrights, patents or other industrial or intellectual property rights.

**Quick reference data** — The Quick reference data is an extract of the product data given in the Limiting values and Characteristics sections of this document, and as such is not complete, exhaustive or legally binding.

**Export control** — This document as well as the item(s) described herein may be subject to export control regulations. Export might require a prior authorization from competent authorities.

**Suitability for use in non-automotive qualified products** — Unless this document expressly states that this specific NXP Semiconductors product is automotive qualified, the product is not suitable for automotive use. It is neither qualified nor tested in accordance with automotive testing or application requirements. NXP Semiconductors accepts no liability for inclusion and/or use of non-automotive qualified products in automotive equipment or applications.

In the event that customer uses the product for design-in and use in automotive applications to automotive specifications and standards, customer (a) shall use the product without NXP Semiconductors' warranty of the product for such automotive applications, use and specifications, and (b) whenever customer uses the product for automotive applications beyond NXP Semiconductors' specifications such use shall be solely at customer's own risk, and (c) customer fully indemnifies NXP Semiconductors for any liability, damages or failed product claims resulting from customer design and use of the product for automotive applications beyond NXP Semiconductors' standard warranty and NXP Semiconductors' product specifications.

**HTML publications** — An HTML version, if available, of this document is provided as a courtesy. Definitive information is contained in the applicable document in PDF format. If there is a discrepancy between the HTML document and the PDF document, the PDF document has priority.

**Translations** — A non-English (translated) version of a document, including the legal information in that document, is for reference only. The English version shall prevail in case of any discrepancy between the translated and English versions.

**Security** — Customer understands that all NXP products may be subject to unidentified vulnerabilities or may support established security standards or specifications with known limitations. Customer is responsible for the design and operation of its applications and products throughout their lifecycles to reduce the effect of these vulnerabilities on customer's applications and products. Customer's responsibility also extends to other open and/or proprietary technologies supported by NXP products for use in customer's applications. NXP accepts no liability for any vulnerability. Customer should regularly check security updates from NXP and follow up appropriately.

Customer shall select products with security features that best meet rules, regulations, and standards of the intended application and make the ultimate design decisions regarding its products and is solely responsible for compliance with all legal, regulatory, and security related requirements concerning its products, regardless of any information or support that may be provided by NXP.

NXP has a Product Security Incident Response Team (PSIRT) (reachable at [PSIRT@nxp.com](mailto:PSIRT@nxp.com)) that manages the investigation, reporting, and solution release to security vulnerabilities of NXP products.

**NXP B.V.** — NXP B.V. is not an operating company and it does not distribute or sell products.

## Trademarks

Notice: All referenced brands, product names, service names, and trademarks are the property of their respective owners.

**NXP** — wordmark and logo are trademarks of NXP B.V.

Contents

<b>1</b>	<b>Feature comparison.....</b>	<b>9</b>	4.3.2.1	FlexSPI input/read timing.....	54
<b>2</b>	<b>Ratings.....</b>	<b>13</b>	4.3.2.2	FlexSPI output/write timing.....	57
2.1	Thermal handling ratings.....	13	4.3.2.3	eFuse specifications.....	59
2.2	Moisture handling ratings.....	13	4.4	Analog.....	59
2.3	ESD handling ratings.....	13	4.4.1	ADC electrical specifications.....	59
2.4	Voltage and current maximum ratings.....	13	4.4.1.1	ADC operating conditions.....	59
2.5	Required Power-On-Reset (POR) Sequencing	14	4.4.1.2	ADC electrical characteristics.....	61
<b>3</b>	<b>General.....</b>	<b>15</b>	4.4.2	12-bit DAC electrical characteristics.....	64
3.1	AC electrical characteristics.....	15	4.4.2.1	12-bit DAC operating requirements.....	64
3.2	Nonswitching electrical specifications.....	15	4.4.2.2	12-bit DAC operating behaviors.....	64
3.2.1	Voltage and current operating requirements....	15	4.4.3	14-bit DAC electrical characteristics.....	67
3.2.2	HVD, LVD, and POR operating requirements..	17	4.4.3.1	14-bit DAC operating requirements.....	67
3.2.3	Voltage and current operating behaviors.....	18	4.4.3.2	14-bit DAC operating behaviors.....	68
3.2.4	On-chip regulator electrical specifications.....	20	4.4.4	CMP and 8-bit DAC electrical specifications....	70
3.2.4.1	DCDC converter specifications.....	20	4.4.5	Voltage reference electrical specifications.....	72
3.2.4.2	DCDC efficiency plots.....	21	4.4.6	Op-amp electrical specifications.....	73
3.2.4.3	LDO_SYS electrical specifications.....	22	4.4.7	PGA electrical specifications.....	74
3.2.4.4	LDO_CORE electrical specifications.....	23	4.5	Timers.....	75
3.2.5	Power mode transition operating behaviors....	24	4.5.1	SCTimer/PWM output timing.....	75
3.2.6	Power consumption operating behaviors.....	25	4.6	Communication interfaces.....	75
3.2.6.1	Power Consumption Operating Behaviors .....	25	4.6.1	LPUART.....	75
3.2.7	EMC radiated emissions operating behaviors..	40	4.6.2	LPSPi switching specifications.....	75
3.2.8	Designing with radiated emissions in mind.....	40	4.6.3	Inter-Integrated Circuit Interface (I <sup>2</sup> C) specifications.....	80
3.2.9	Capacitance attributes.....	40	4.6.4	Improved Inter-Integrated Circuit Interface (MIPI- I3C) specifications.....	81
3.3	Switching specifications.....	40	4.6.5	USB Full-speed device electrical specifications	84
3.3.1	Device clock specifications.....	40	4.6.6	USB High-Speed PHY specifications.....	84
3.3.2	General switching specifications.....	41	4.6.7	Ultra High Speed SD/SDIO/MMC Host Interface (uSDHC) AC timing.....	85
3.4	Thermal specifications.....	42	4.6.7.1	SD/eMMC4.3 (single data rate) AC timing.....	85
3.4.1	Thermal operating requirements.....	42	4.6.7.2	eMMC4.4/4.41 (dual data rate) AC timing.....	86
3.4.2	Thermal attributes.....	43	4.6.7.3	SDR50 AC timing.....	87
<b>4</b>	<b>Peripheral operating requirements and behaviors .....</b>	<b>43</b>	4.6.8	CAN switching specifications.....	88
4.1	Core modules.....	43	4.6.9	SINC timing.....	88
4.1.1	Debug trace timing specifications.....	43	4.6.10	I2S/SAI switching specifications.....	89
4.1.2	JTAG electricals.....	44	4.6.11	Flexible IO controller (FlexIO).....	91
4.1.3	SWD electricals .....	46	4.6.12	EMVSIM specifications.....	91
4.2	Clock modules.....	47	4.6.12.1	EMVSIM Reset Sequences.....	92
4.2.1	Reference Oscillator Specification.....	47	4.6.12.2	EMVSIM Power-Down Sequence.....	94
4.2.2	32 kHz oscillator electrical specifications.....	48	4.6.13	Ethernet Controller (ENET) AC Electrical specifications.....	95
4.2.3	Free-running oscillator FRO144M specifications .....	50	4.6.13.1	MII electrical specifications.....	95
4.2.4	Free-running oscillator FRO12M specifications	50	4.6.13.2	RMII.....	96
4.2.5	Free-running oscillator FRO16K specifications	51	4.6.13.3	MDIO.....	97
4.2.6	550 MHz PLL specifications.....	51	4.7	Human Machine Interface (HMI) modules.....	97
4.3	Memories and memory interfaces.....	51	4.7.1	Touch sensing input (TSI) electrical specifications.....	98
4.3.1	Flash electrical specifications.....	51	4.7.2	Microphone (MIC).....	98
4.3.1.1	Timing specifications.....	51	4.7.3	General Purpose Input/Output (GPIO).....	99
4.3.1.2	Flash high voltage current behavior.....	53			
4.3.1.3	Flash reliability specifications.....	53			
4.3.2	FlexSPI specifications.....	54			

4.8	Security modules.....	99	8.2	Part number format.....	136
4.8.1	Tamper.....	99	8.3	Example.....	136
<b>5</b>	<b>Package dimensions.....</b>	<b>100</b>	8.4	Package marking.....	136
5.1	Obtaining package dimensions.....	100	8.4.1	Package marking information.....	136
<b>6</b>	<b>Pinout.....</b>	<b>100</b>	<b>9</b>	<b>Terminology and guidelines.....</b>	<b>137</b>
6.1	MCX N9xx/N5xx/N24x Signal Multiplexing and Pin Assignments.....	100	9.1	Definitions.....	137
6.2	MCX N9xx/N5xx/N24x Pinout Diagrams.....	133	9.2	Examples.....	138
6.3	Recommended connection for unused analog and digital pins.....	133	9.3	Typical-value conditions.....	138
<b>7</b>	<b>Ordering parts.....</b>	<b>135</b>	9.4	Relationship between ratings and operating requirements.....	139
7.1	Determining valid orderable parts.....	135	9.5	Guidelines for ratings and operating requirements.....	139
<b>8</b>	<b>Part identification.....</b>	<b>135</b>	<b>10</b>	<b>Revision history.....</b>	<b>139</b>
8.1	Description.....	136		<b>Legal information.....</b>	<b>141</b>

---

Please be aware that important notices concerning this document and the product(s) described herein, have been included in section 'Legal information'.

---

© 2025 NXP B.V.

All rights reserved.

For more information, please visit: <https://www.nxp.com>

Date of release: 28 October 2025

Document identifier: MCXNP184M150F70