

320344 ✓ ACTIVE

SOLISTRAND

TE Internal #: 320344

Closed Ring Tongue Terminal, 6 AWG, 1/2 / M12 Stud, 13.08 mm [.515 in] Stud Diameter, Closed Barrel, Straight, Tin Plating, Uninsulated

[View on TE.com >](#)



Terminals & Splices > Ring Terminals



Ring Terminal Product Type: Closed Ring Tongue Terminal

Wire Size: 20800 – 33100 CMA

Stud Size: 1/2, M12

Features

Product Type Features

Ring Terminal Product Type	Closed Ring Tongue Terminal
Stud Size	1/2, M12
Sealable	No
Wire Insulation Support Retention Type	Non-Insulation Support

Configuration Features

Number of Holes	1
-----------------	---

Body Features

Terminal & Contact Weight	6.017 g
---------------------------	---------

Contact Features

Barrel Type	Closed
Terminal Orientation	Straight
Terminal Plating Material	Tin

Mechanical Attachment

Wire Insulation Support	Without
-------------------------	---------

Dimensions

Wire Size	20800 – 33100 CMA
Stud Diameter	13.08 mm[.515 in]
Tongue Thickness	.79 mm[.031 in]
Product Length	46.74 mm[1.837 in]
Barrel Inside Diameter	5.89 mm[.231 in]

### Usage Conditions

Insulation Option	Uninsulated
Operating Temperature Range	0 – 170 °C[0 – 338 °F]

### Operation/Application

Compatible With Wire Base Material	Copper
Compatible With Wire Plating Material	Tin

### Industry Standards

Government Qualified Terminal	No
-------------------------------	----

### Packaging Features

Packaging Quantity	100
Packaging Method	Loose Piece

## Product Compliance

[For compliance documentation, visit the product page on TE.com>](#)

EU RoHS Directive 2011/65/EU	Compliant
EU ELV Directive 2000/53/EC	Compliant
China RoHS 2 Directive MIIT Order No 32, 2016	有害物质含量符合标准要求 No Restricted Substance(s) Above Threshold
EU REACH Regulation (EC) No. 1907/2006	Current ECHA Candidate List: JUNE 2025 (250) Candidate List Declared Against: JUNE 2025 (250) Does not contain REACH SVHC
Halogen Content	Low Halogen - Br, Cl, F < 900 ppm per homogenous material. Also BFR/CFR/PVC Free
Solder Process Capability	Not applicable for solder process capability

#### Product Compliance Disclaimer

This information is provided based on reasonable inquiry of our suppliers and represents our current actual knowledge based on the information they provided. This information is subject to change. The part numbers that TE has identified as

EU RoHS compliant have a maximum concentration of 0.1% by weight in homogenous materials for lead, hexavalent chromium, mercury, PBB, PBDE, DBP, BBP, DEHP, DIBP, and 0.01% for cadmium, or qualify for an exemption to these limits as defined in the Annexes of Directive 2011/65/EU (RoHS2). Finished electrical and electronic equipment products will be CE marked as required by Directive 2011/65/EU. Components may not be CE marked. Additionally, the part numbers that TE has identified as EU ELV compliant have a maximum concentration of 0.1% by weight in homogenous materials for lead, hexavalent chromium, and mercury, and 0.01% for cadmium, or qualify for an exemption to these limits as defined in the Annexes of Directive 2000/53/EC (ELV). Regarding the REACH Regulation, the information TE provides on SVHC in articles for this part number is based on the latest European Chemicals Agency (ECHA) 'Guidance on requirements for substances in articles' posted at this URL: <https://echa.europa.eu/guidance-documents/guidance-on-reach>

## Compatible Parts



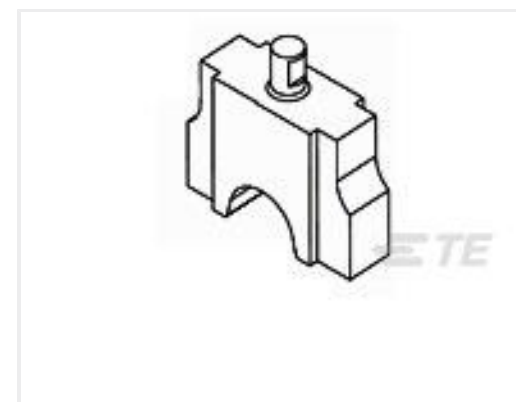
TE Part # 1490413-2  
HYP10 SOLIS HD 8AWG NEST



TE Part # 69217  
HYP8/10 SOLIS 6AWG DIE SET



TE Part # 48128  
HYP8 SOLIS 6AWG NEST



TE Part # 1901000-1  
NEST #6



TE Part # 1901002-1  
INDENTER, SOLISTRAND



TE Part # 1490414-2  
HYP10 SOLIS HD 6-4AWG INDENTER



TE Part # 48127  
HYP8 SOLIS 6-2AWG INDENTER

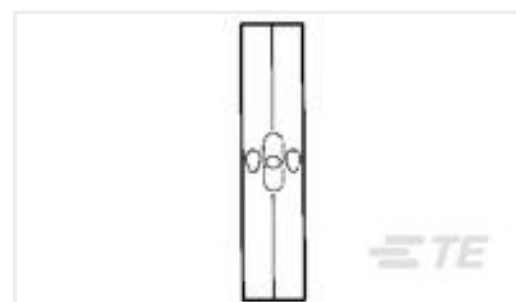
## Customers Also Bought



TE Part #D51558-000  
NT-MIL-3/4-0-SP



TE Part #622025-000  
D-144-25



TE Part #36886  
SPLICE, SOLIS BUTT 6



TE Part #50981  
TERMINAL, SOLIS R 16-14 1/2



TE Part #130554  
SOLIS 6 R M6



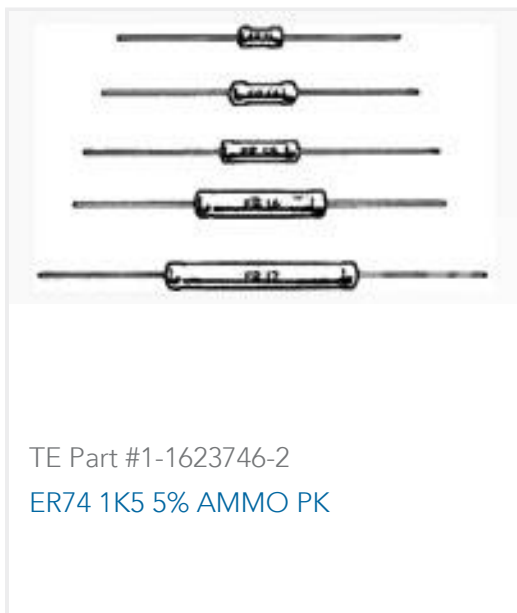
TE Part #324459  
SPLICE, AMPPOWER BUTT 2/0



TE Part #710036-4  
XCT 35-12



TE Part #926308-1  
8P UNIV. M-N-L-CAP



## Documents

### Product Drawings

[TERMINAL,SOLIS R 6 1/2](#)

English

### CAD Files

[3D PDF](#)

3D

Customer View Model

[ENG\\_CVM\\_CVM\\_320344\\_L.2d\\_dxf.zip](#)

English

Customer View Model

[ENG\\_CVM\\_CVM\\_320344\\_L.3d\\_igs.zip](#)

English

Customer View Model

[ENG\\_CVM\\_CVM\\_320344\\_L.3d\\_stp.zip](#)

English

Customer View Model

[ENG\\_CVM\\_320344\\_G.3d\\_igs.zip](#)

English

Customer View Model

[ENG\\_CVM\\_320344\\_G.3d\\_stp.zip](#)

English

Customer View Model

[ENG\\_CVM\\_320344\\_G.2d\\_dxf.zip](#)

English

[3D PDF](#)

English

By downloading the CAD file I accept and agree to the [Terms and Conditions](#) of use.

### Datasheets & Catalog Pages

[SOLISTRAND - QRG](#)

English

### Instruction Sheets

[Instruction Sheet \(U.S.\)](#)

English



---

**Agency Approvals**

**UL Report**

English

**UL Report**

English