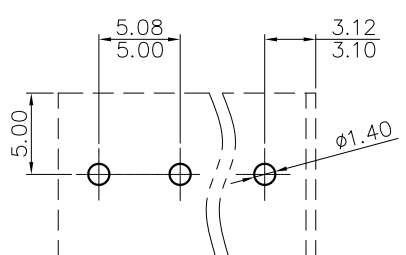
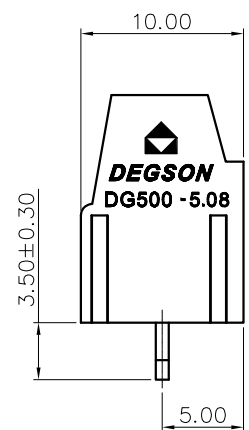
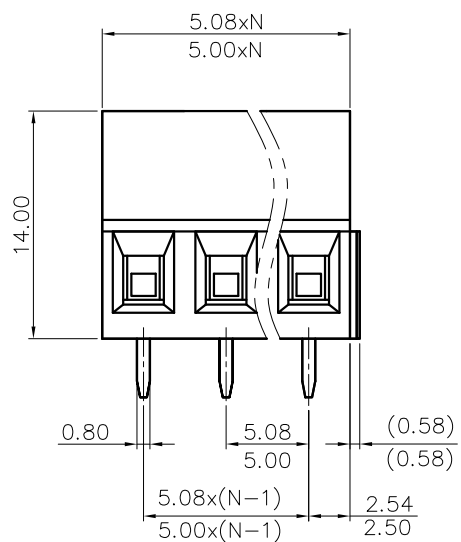
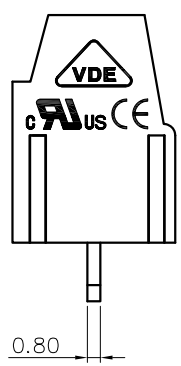
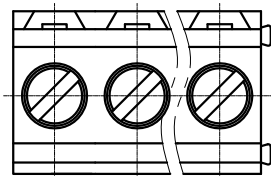


| REVISION RECORD | | | | |
|-----------------|-----|-------------|------|------|
| REV | ECN | DESCRIPTION | DRFT | DATE |



PCB LAYOUT

NOTES1:

- UL Standard
- 1.Rated voltage/current : 300V / 20A
 - 2.Torque value : M2.5 , 3.54Lb.in
 - 3.Wire range : 30~12AWG
- IEC Standard
- 1.Rated voltage/current : 250V / 18A
 - 2.Torque value : M2.5 , 0.4N·m
 - 3.Wire range : 1.0~2.5mm²

NOTES2:

- 1.Dimension shall be interpreted per ASME Y14.5-2009
- 2.Pitch : 7.62mm, Poles : N=02~XXP
- 3.Stripping length : 6~7mm
- 4.Withstanding voltage : AC2000V/1Min
- 5.Operating temperature : -40°C~+105°C
- 6.Undimensioned tolerances:

| Pitch range in mm | | | Nominal dimension range in mm | | | | | - | ∩ | □ |
|-------------------|---------|---------|-------------------------------|---------|---------|---------|--------|-----|---|---|
| TO | Over TO | Over TO | TO | Over TO | Over TO | Over TO | 0.1/10 | | | |
| 6 | 10 | 24 | 30 | 60 | 100 | 150 | | | | |
| ±0.15 | ±0.20 | ±0.30 | ±0.30 | ±0.50 | ±0.70 | ±1.00 | ±1.30 | ±2* | | |

7.RoHS Compliance

DG500 - 5.0/5.08 - XXP - 1Y - 00A (H)

(Series No.) (Pitch) (Poles) (Single Pitch) (Color) : 1.(Grey)
 2.(Blue)
 3.(Black)
 4.(Green)
 5.(Orange)
 6.(Red)
 7.(Transparent)
 8.(Yellow)
 9.(White)

(RoHS)
 00A-(Standard)

| | | | | | |
|----------------|------------------------|-----------------------------------|----------------------|-------|-----|
| DETACHED LISTS | PART NO.: | / | | | |
| | APPD: | / | | | |
| | CHKD: | / | | | |
| | DRFT: | / | | | |
| | NAME: | NINGBO DEGSON ELECTRICAL CO., LTD | | | |
| | | DG500-5.0/5.08-XXP-1Y-00A(H) | | | |
| | TITLE: | CUSTOMER DRAWING | REV | D0 | |
| | DRAWING NO.: | / | SHEET | 1/1 | |
| | THIRD ANGLE PROJECTION | MM (INCH) | DO NOT SCALE DRAWING | SCALE | 1:1 |