

SERIES 804 QDC PUSH-PULL Mighty Mouse Connectors and Cables



Cable Connector Plug with Integral Shield Termination Platform or Accessory Threads



Series 804 In-line Plugs

Plugs designed to snap securely into the receptacle housings and release with a simple pull. Two keying styles available. Select a single master key for fast mating in low-light situations, or specify alternate key positions where polarization is required. Two shell styles available. Select integral band platform for direct cable shield termination with use of Band-Master ATS® band. Choose accessory thread shell style for attaching a strain relief backshell or adapter. Aluminum or stainless steel shells available. Contacts are copper alloy and gold plated. Fluorosilicone interfacial and grommet seals provide IP67 sealing in the mated condition.

How To Order										
Sample Part Number	804-001 -06 NF 9-19 S A									
Series (See Table I)	804-001 = Plug with Banding Platform 804-002 = Plug with Accessory Thread									
Shell Style	-06 = Plug									
Shell Material and Finish	C = Aluminum / Black Anodize (Non-Conductive) M = Aluminum / Electroless Nickel MT = Aluminum / Nickel-PTFE NF = Aluminum / Cadmium with Olive Drab Chromate ZNU = Aluminum / Zinc-Nickel with Black Chromate Z1 = Stainless Steel / Passivated									
Shell Size - Insert Arrangement	See Contact Arrangements Page H-6									
Contact Type	<table border="0"> <tr> <td>Connector supplied without contacts</td> <td>Connector supplied with contacts</td> <td>Connector supplied with 30 AWG crimp Barrel</td> </tr> <tr> <td>A = Pin, less contacts</td> <td>P = Pin Connector</td> <td>G = Pin, Crimp</td> </tr> <tr> <td>B = Socket, less contacts</td> <td>S = Socket Connector</td> <td>H = Socket, Crimp</td> </tr> </table> <p>Connectors with contacts are supplied with crimp contacts. Contacts not installed. For coax contacts, order contacts separately and order connector without contacts.</p>	Connector supplied without contacts	Connector supplied with contacts	Connector supplied with 30 AWG crimp Barrel	A = Pin, less contacts	P = Pin Connector	G = Pin, Crimp	B = Socket, less contacts	S = Socket Connector	H = Socket, Crimp
Connector supplied without contacts	Connector supplied with contacts	Connector supplied with 30 AWG crimp Barrel								
A = Pin, less contacts	P = Pin Connector	G = Pin, Crimp								
B = Socket, less contacts	S = Socket Connector	H = Socket, Crimp								
Polarization (See Table II)	Omit = Single Master Key A = Normal B = Pos. B C = Pos. C D = Pos. D E = Pos. E F = Pos. F									

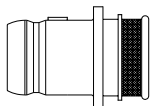
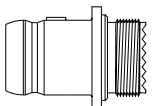
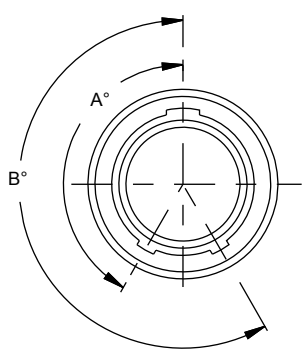
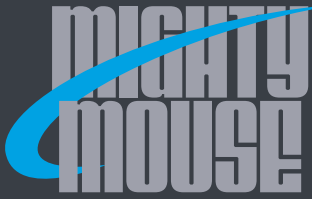
Table I: Series	
	
804-001 Plug with Banding Platform	804-002 Plug with Accessory Thread

Table II: Key Positions		
	Pos.	A° B°
	A	150° 210°
	B	75° 210°
	C	95° 230°
	D	140° 275°
	E	75° 275°
	F	95° 210°

SERIES 804 QDC PUSH-PULL



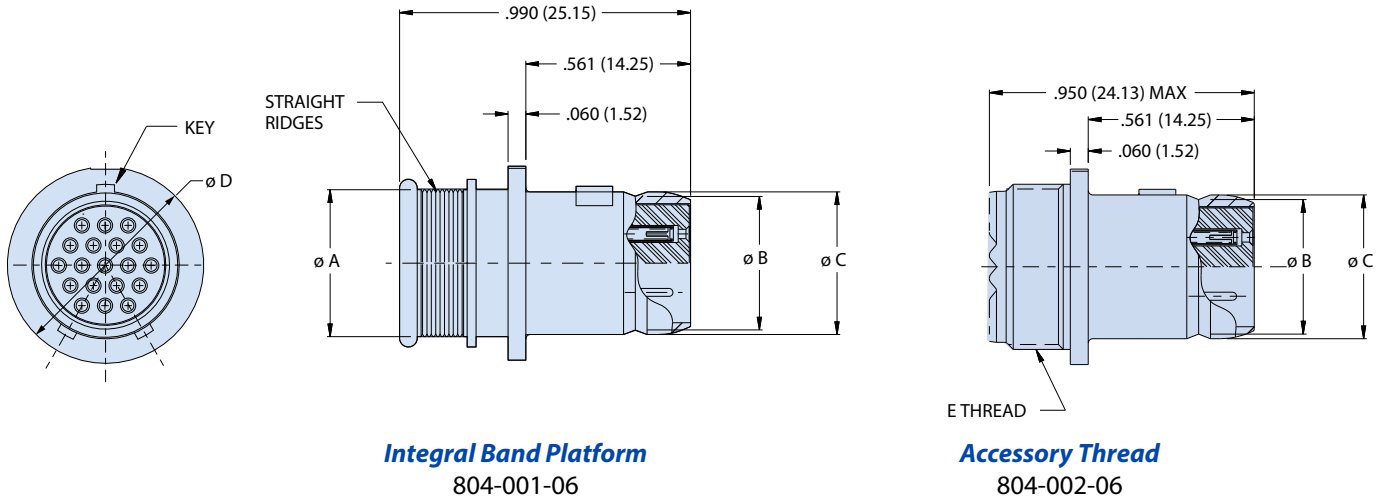
SERIES 804 QDC PUSH-PULL

Mighty Mouse Connectors and Cables



Cable Connector Plug with Integral Shield Termination Platform or Accessory Threads

PLUG CONNECTOR - STYLE 06



Dimensions					
Shell Size	Ø A	Ø B	Ø C	Ø D Max.	E Threads
5	.246 (6.25)	.219 (5.56)	.250 (6.35)	.427 (10.85)	.2500-32 UNEF-2A
6	.286 (7.26)	.282 (7.16)	.313 (7.95)	.495 (12.57)	.3125-32 UNEF-2A
7	.390 (9.91)	.351 (8.92)	.383 (9.73)	.575 (14.60)	.4375-28 UNEF-2A
8	.442 (11.23)	.398 (10.11)	.429 (10.90)	.614 (15.60)	.5000-28 UNEF-2A
9	.500 (12.70)	.454 (11.53)	.486 (12.34)	.670 (17.02)	.5625-24 UNEF-2A
10	.564 (14.33)	.529 (13.44)	.563 (14.30)	.745 (18.92)	.6250-24 UNEF-2A
11	.608 (15.44)	.587 (14.91)	.618 (15.70)	.795 (20.19)	.6875-24 UNEF-2A
12	.650 (16.51)	.646 (16.41)	.676 (17.17)	.865 (21.97)	.6875-24 UNEF-2A
14	.805 (20.45)	.768 (19.51)	.800 (20.32)	.985 (25.02)	.9375-20 UNEF-2A

NOTES

1. Contacts are size 23 crimp type, and used in a rear release retention system.
2. For additional insert arrangements consult factory
3. Crimp barrel accommodates 22, 24, 26 and 28 gage wire
4. Crimp Tool Data:
 - Crimp Frame: 809-015
 - Positioner for use with crimp frame: Glenair part no. 809-005
 - Insertion / extraction tool: Glenair part no. 809-088
5. Connector, plug mates with all push/pull high density receptacle connectors with same polarization and opposite contact gender
6. Rear insulator grommet not supplied
7. Material and Finish
 - Shell: aluminum alloy or CRES / see how to order table
 - Insulator: high grade rigid dielectric
 - Interfacial seal, gasket: fluorosilicone / N.A.
 - Contact: copper alloy / gold plate per ASTM B 488, Type II, Code C, Class 1.25, over suitable underplate