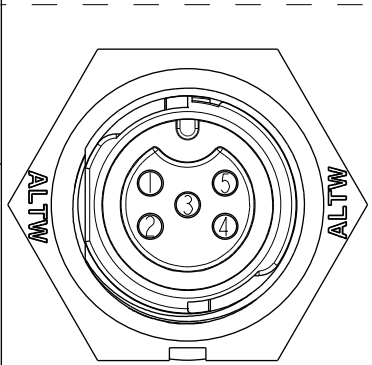
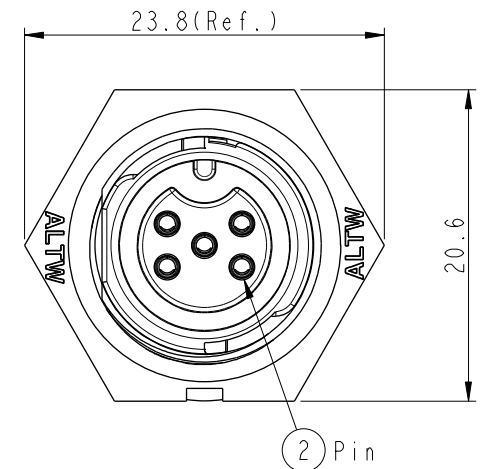
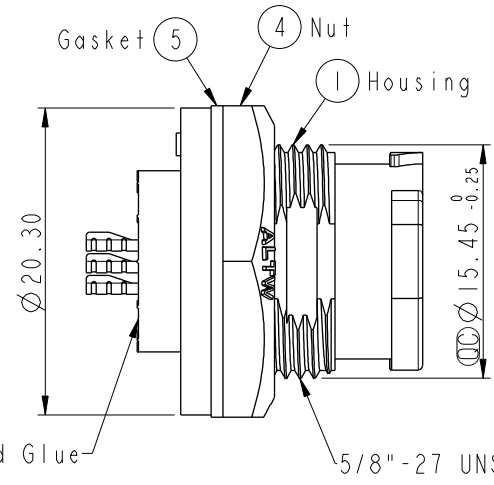
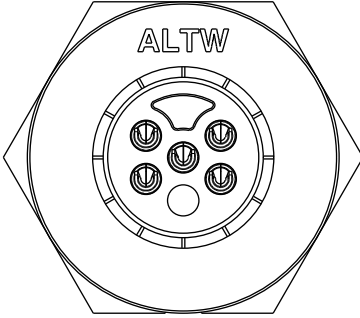


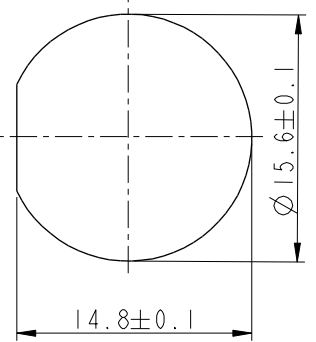
THIS DOCUMENT IS SUBJECT TO CHANGE WITHOUT NOTICE. IT IS CONFIDENTIAL AND A PROPERTY OF AMPHENOL LTW. DISCLOSURE TO THIRD PARTY HAS TO BE AUTHORIZED BY AMPHENOL LTW.

REV.	ECN NO.	DATE	SIGN	DESCRIPTION
B	CI90411	2019/03/19	Vicky	Change Note

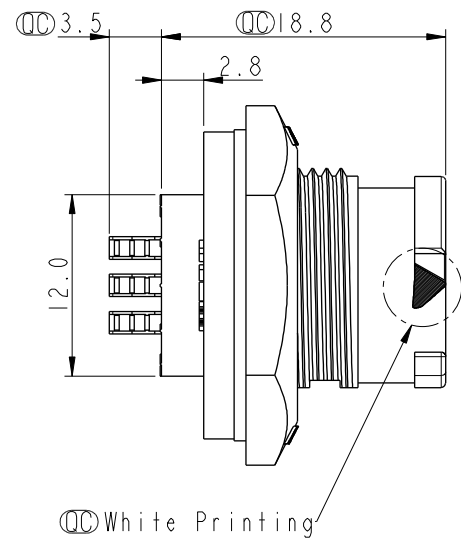
**ALTW**  
 CONFIDENTIAL  
 2019-03-19  
 R&D DEPT.



Pin Assignments  
Front View



Recommended Panel Cut-out



- Note:**
- \*  $\varnothing$  Important Dimension To Check.
  - \* Waterproof Rate: IP68, Unmated. In 1 meter water within 24 hours
  - \* Housing: Thermoplastic, Black.
  - \* Pin: Copper Alloy, Gold Plated.
  - \* Nut: Thermoplastic, Black.
  - \* Gasket: Rubber, Gray.
  - \* Use Without Waterproof Cap  
Panel Thickness Max: 4.0mm
  - \* Use With Waterproof Cap  
Panel Thickness Max: 3.0mm
  - \* Gasket and Nut are packed separately in PE bags.

<b>UNIT:mm</b>	
<b>TOLERANCE</b> X ±0.25	

TITLE X Lok B-Size Receptacle M Conn F 5 Pin			
SCALE 2:1	SIZE A4	SHEET 1 OF 1	
REV. B	WC-REV. A.4	$\varnothing$ : Inspection item	

**Amphenol LTW**  
 安費諾亮泰企業股份有限公司

ITEM NO BD-05PMFS-QC8001	DRAWN BY Vicky	DATE 2019-03-19
DWG NO BD-05PMFS-QC8001	CHECKED BY Rita	DATE 2019-03-19
CUSTOMER ALTW	APPROVED BY Max	DATE 2019-03-19