



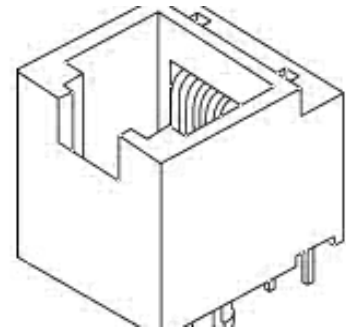
Part Number : [855115002](#)

Product Description : Modular Jack, Cat5e, Vertical, Top Entry, Through Hole, 8/8, Short Top, Low Profile, Tray

Series Number : 85511

Status : Active

Product Category : Modular Jacks and Plugs



Documents and Resources

Drawings

[855115002_sd.pdf](#)

[PK-95003-003.pdf](#)

3D Models and Design Files

[STEP AP242](#)

[SOLIDWORKS](#)


[Creo](#)

Specifications

[PS-85506-001-001.pdf](#)

Product Environment Compliance

Compliance

GADSL/IMDS	Not Relevant
China RoHS	 per SJ/T 11365-2006
EU ELV	Not Relevant
Low-Halogen Status	Low-Halogen per IEC 61249-2-21
REACH SVHC	Not Contained per D(2025)7771-DC (04 Feb 2026)
EU RoHS	Compliant per EU 2015/863

Compliance Statements

- EU RoHS
- REACH SVHC

- Low-Halogen

Industry Documents

- IPC 1752A Class C
- IPC 1752A Class D
- Molex Product Compliance Declaration
- IEC-62474
- chemSHERPA (xml)

Substances of Interest

- PFAS

EU RoHS Certificate of Compliance

Additional Product Compliance Information

Part Details

General

Status	Active
Category	Modular Jacks and Plugs
Series	85511
Description	Modular Jack, Cat5e, Vertical, Top Entry, Through Hole, 8/8, Short Top, Low Profile, Tray
Comments	Reflow Capable, Small Panel Cutout, Snap Pegs
Component Type	PCB Jack
Magnetic	No
Performance Category	5e
Power over Ethernet (PoE)	N/A
Product Name	Modular Jack 8/8,RJ45
UPC	800756877167

Agency

UL	E107635
----	---------

Electrical

Current - Maximum per Contact	1.5A
Shielded	No
Voltage - Maximum	125V DC

Physical

Boot Color	N/A
Color - Resin	Black
Durability (mating cycles max)	2500
Flammability	94V-0
Inverted / Top Latch	No
Jack Height	12.70mm
Lightpipes/LEDs	None
Material - Metal	Phosphor Bronze
Material - Plating Mating	Gold over Palladium Nickel
Material - Plating Termination	Tin
Material - Resin	High Temperature Thermoplastic
Net Weight	2.387/g
Orientation	Vertical (Top Entry)
Packaging Type	Tray
PCB Locator	Yes
PCB Retention	Yes
PCB Thickness - Recommended	1.57mm
Pitch - Mating Interface	1.02mm
Pitch - Termination Interface	1.27mm
Plating min - Mating	0.051µm, 1.016µm
Plating min - Termination	1.905µm
Port Configuration	1x1
Positions / Loaded Contacts	8/8
Temperature Range - Operating	-40° to +85°C
Termination Interface Style	Through Hole
Waterproof / Dustproof	No
Wire/Cable Type	N/A

This document was generated on Jun 06, 2026