

**Part Number :** [194300003](#)

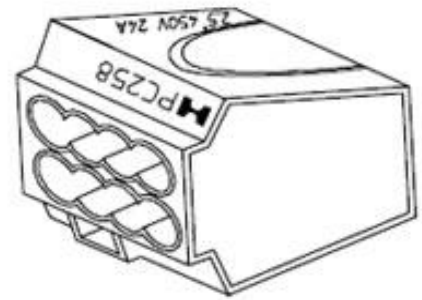
**Product Description :** See and Splice 4 Circuit Push-in Wire Connector for 22-12 AWG Wire, Carton

**Series Number :** 19430

**Status :** Active

**Product Category :** Splices

**Engineering Part Number :** PC4-YELLOW



---

## Documents and Resources


### Drawings

[194300003\\_sd.pdf](#)

---

## Product Environment Compliance

### Compliance

GADSL/IMDS	Not Relevant
China RoHS	 per SJ/T 11365-2006
EU ELV	Not Relevant
Low-Halogen Status	Low-Halogen per IEC 61249-2-21
REACH SVHC	Not Contained per ED/71/2019 (16 July 2019)
EU RoHS	Compliant per EU 2015/863

### Compliance Statements

- EU RoHS
- REACH SVHC
- Low-Halogen

### Industry Documents

- IPC 1752A Class C
- IPC 1752A Class D
- Molex Product Compliance Declaration
- IEC-62474
- chemSHERPA (xml)

### Substances of Interest

- PFAS

**Part Details****General**

Status	Active
Category	Splices
Series	19430
Description	See and Splice 4 Circuit Push-in Wire Connector for 22-12 AWG Wire, Carton
Comments	Yellow Insert, 1000V max. for lighting/sign fixtures
Product Name	See and Splice
Type	See and Splice
UPC	822348218905

**Agency**

UL	E32244
----	--------

**Electrical**

Voltage - Maximum	600V
-------------------	------

**Physical**

Barrel Type	Closed
Color - Resin	Yellow
Flammability	94V-2
Insulation	None
Material - Metal	Brass
Material - Plating Mating	N/A
Net Weight	2.881/g
Packaging Type	Carton
Temperature Range - Operating	-30° to +105°C
Wire Insulation Diameter	3.30mm nominal O.D.
Wire Size (AWG)	12, 14, 16, 18, 20, 22

---

This document was generated on Dec 29, 2025