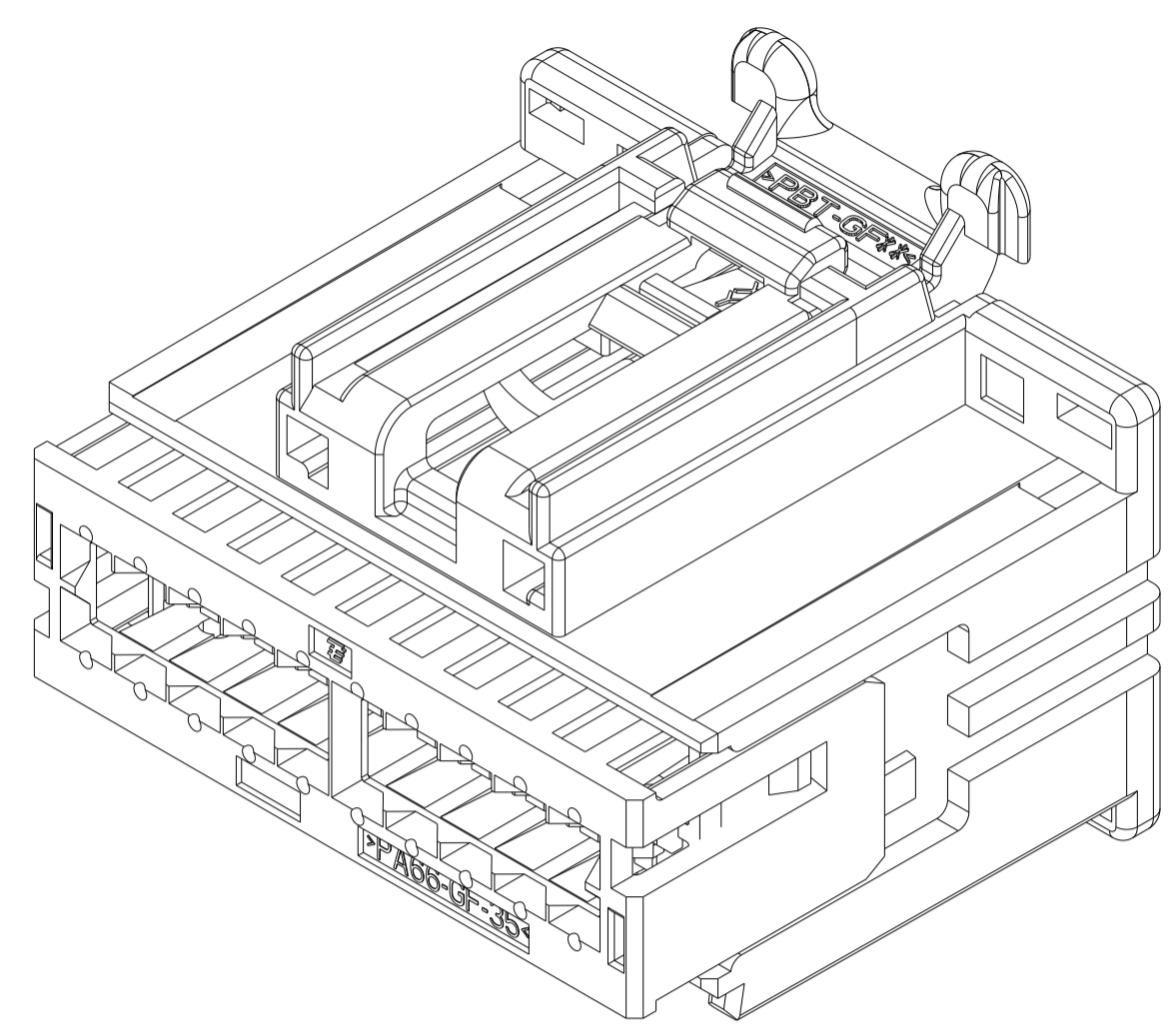
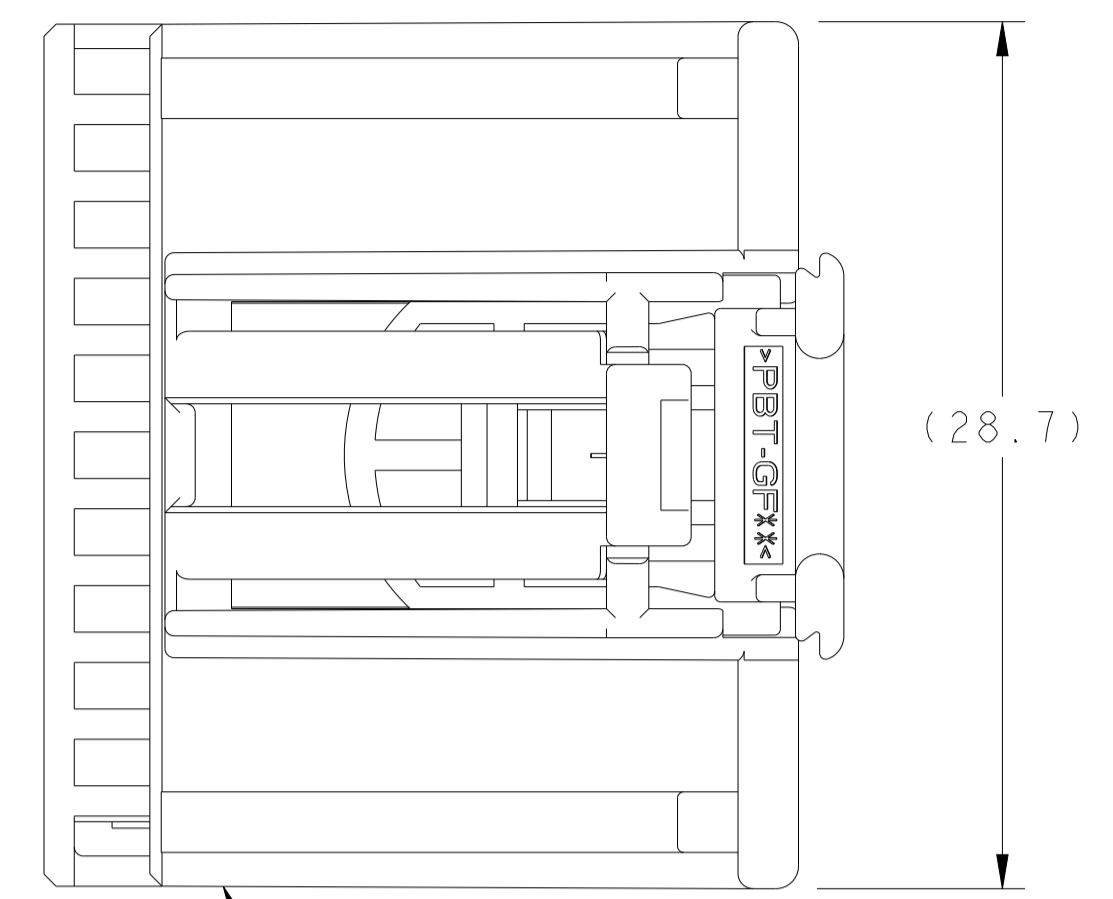


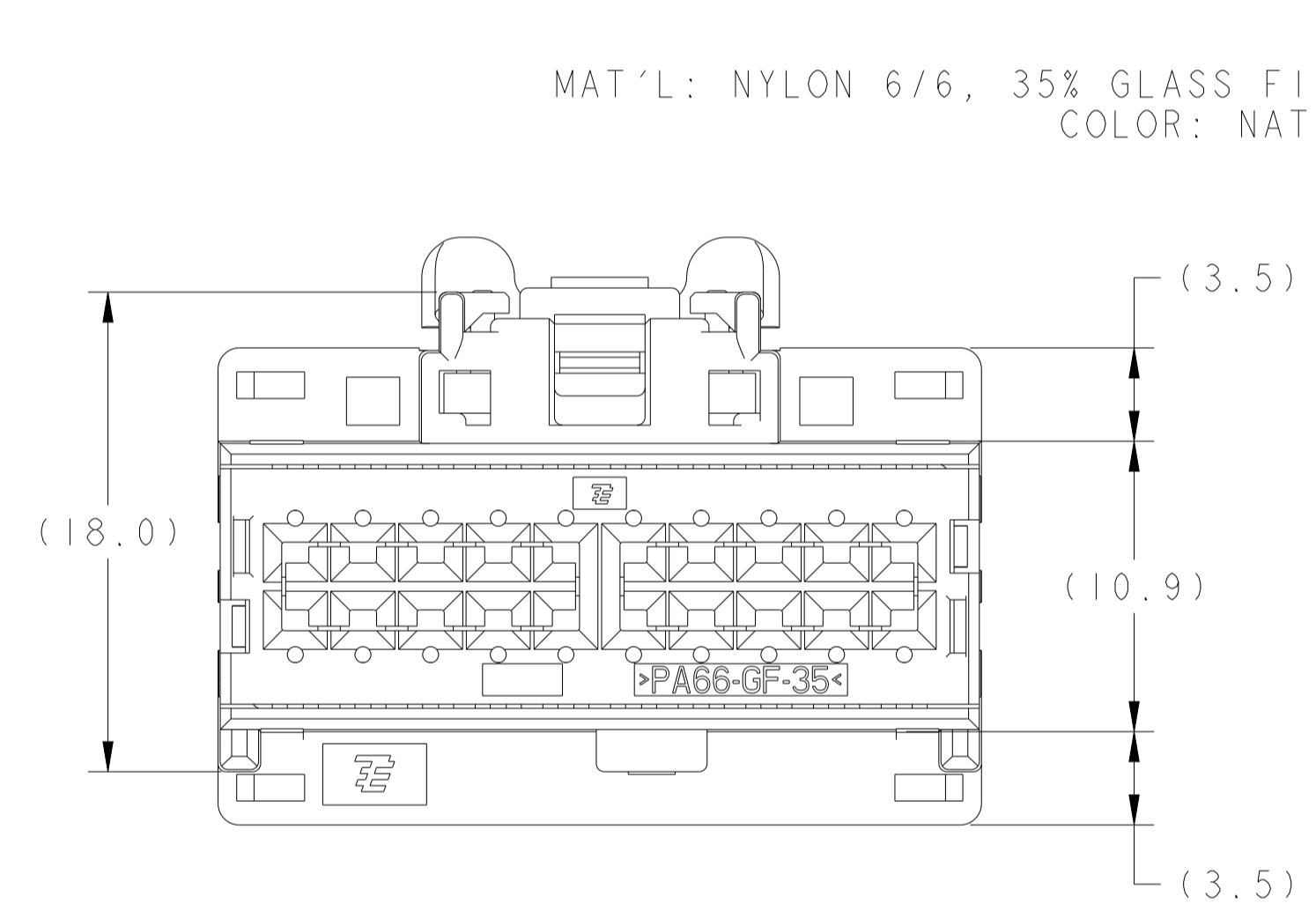
REVISIONS				
P	LTN	DESCRIPTION	DATE	OWN APVD
I		PRELIMINARY	17OCT2014	DLD CJS
A		RELEASED PER ECO-15-002891	24FEB2015	DLD CJS
A1		REV PER ECN-23-235069	03NOV2023	SMR CS



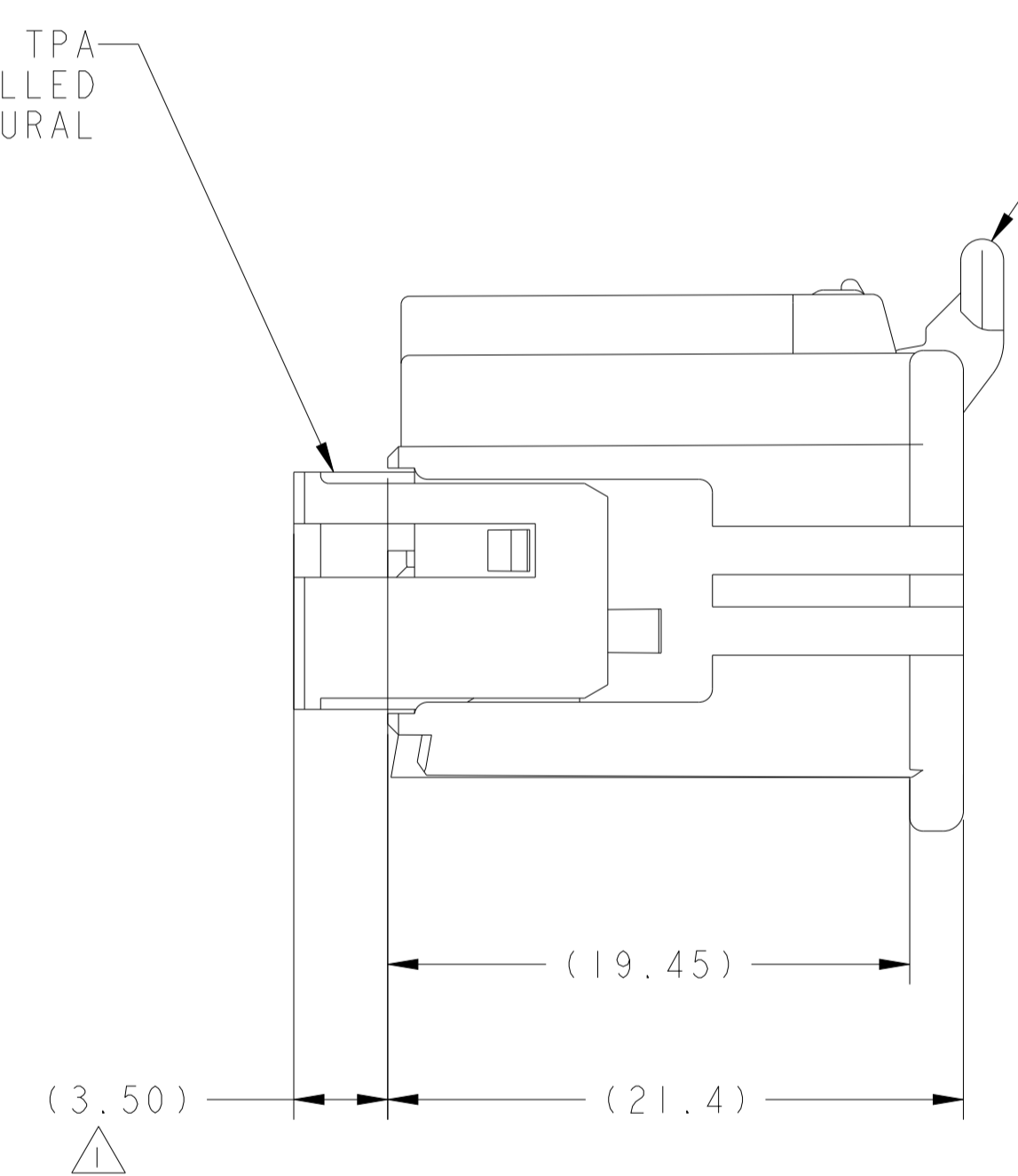
ISOMETRIC VIEW



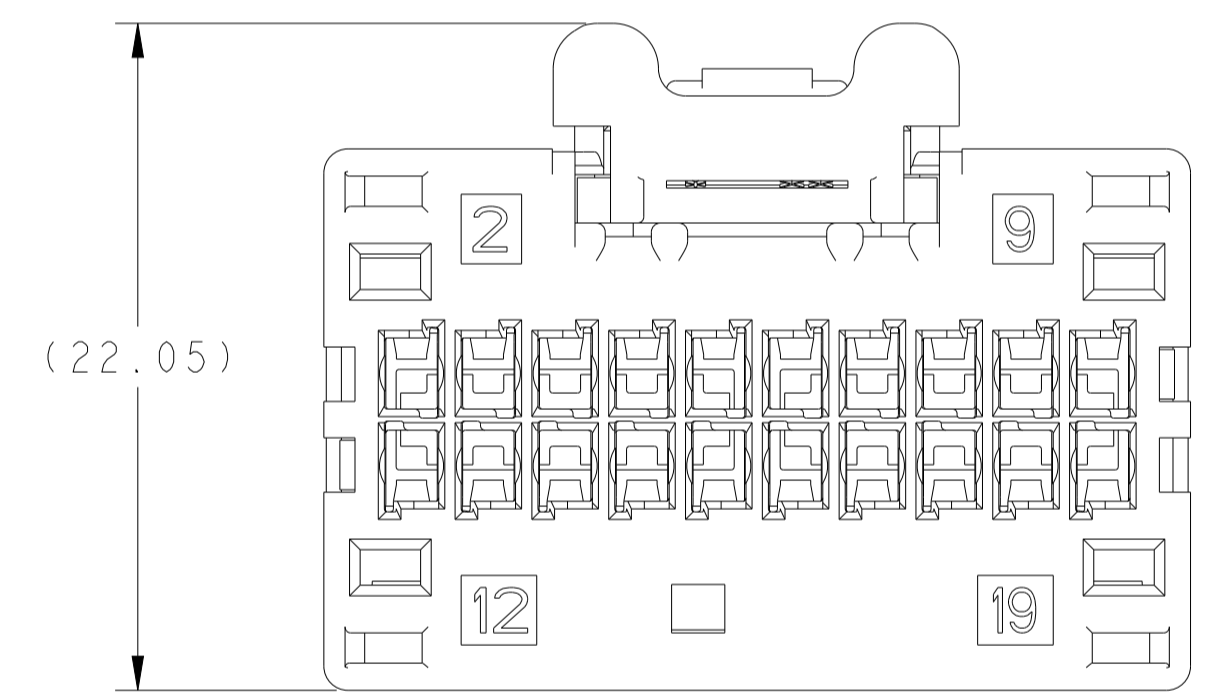
HOUSING
 MAT'L: NYLON 6/6, 35% GLASS FILLED
 COLOR: SEE TABLE



TPA
 MAT'L: NYLON 6/6, 35% GLASS FILLED
 COLOR: NATURAL



CPA (OPTIONAL)
 MAT'L: PBT, 20% GLASS FILLED
 COLOR: RED



- 1 TPA SHIPPED IN PRE-LATCHED POSITION. TPA'S MAY BECOME SEATED DURING SHIPPING DUE TO BULK PACKAGING. REFERENCE INSTRUCTION SHEET 408-10372 FOR REPOSITIONING OF TPA.
- 2 2288276-7 SHOWN (KEYING OPTION A). REFER TO EWCAP DRAWING 064-U-020-2-Z01 FOR KEYING OPTION VIEWS.
- 3 THIS PRODUCT HAS NOT COMPLETED VALIDATION TESTING.
- 4 PRELIMINARY - NOT RELEASED FOR PRODUCTION
- 5. 30N MAX TERMINAL PUSH THROUGH WITHOUT BUCKLING.
- 6. 40N MIN UNMATED CPA PRESTAGE TO LOCK.
- 7. 40N MIN CPA REMOVAL FORCE.

SUPPLIED	OPTION F	---	1-2288276-2	3 4
SUPPLIED	OPTION E	---	1-2288276-1	3 4
SUPPLIED	OPTION D	---	1-2288276-0	3 4
SUPPLIED	OPTION C	---	2288276-9	3 4
SUPPLIED	OPTION B	GRAY	2288276-8	
SUPPLIED	OPTION A	BLACK	2288276-7	
NOT SUPPLIED	OPTION F	---	2288276-6	3 4
NOT SUPPLIED	OPTION E	---	2288276-5	3 4
NOT SUPPLIED	OPTION D	---	2288276-4	3 4
NOT SUPPLIED	OPTION C	---	2288276-3	3 4
NOT SUPPLIED	OPTION B	GRAY	2288276-2	
NOT SUPPLIED	OPTION A	BLACK	2288276-1	
CPA	USCAR KEYING OPTION 2	COLOR	PART NUMBER	

THIS DRAWING IS A CONTROLLED DOCUMENT.

OWN: D. DRUMMOND	17OCT2014	TE Connectivity PLUG ASSEMBLY, 2 X 10, UNSEALED, 0.64, GENERATION Y USCAR
CHK: C. SCHMID	17OCT2014	
APVD: C. SCHMID	17OCT2014	NAME
DIMENSIONS: mm		SIZE: A1
TOLERANCES UNLESS OTHERWISE SPECIFIED:		CAGE CODE: 100779
0 PLC ±0.3	1 PLC ±0.3	DRAWING NO: 2288276
2 PLC ±0.20	3 PLC ±0.20	SHEET 1 OF 1
4 PLC ±0.20	5 PLC ±0.20	REV: A1
ANGLES ±1°	FINISH	SCALE: 4:1
MATERIAL: SEE CALLOUT	WEIGHT	CUSTOMER DRAWING