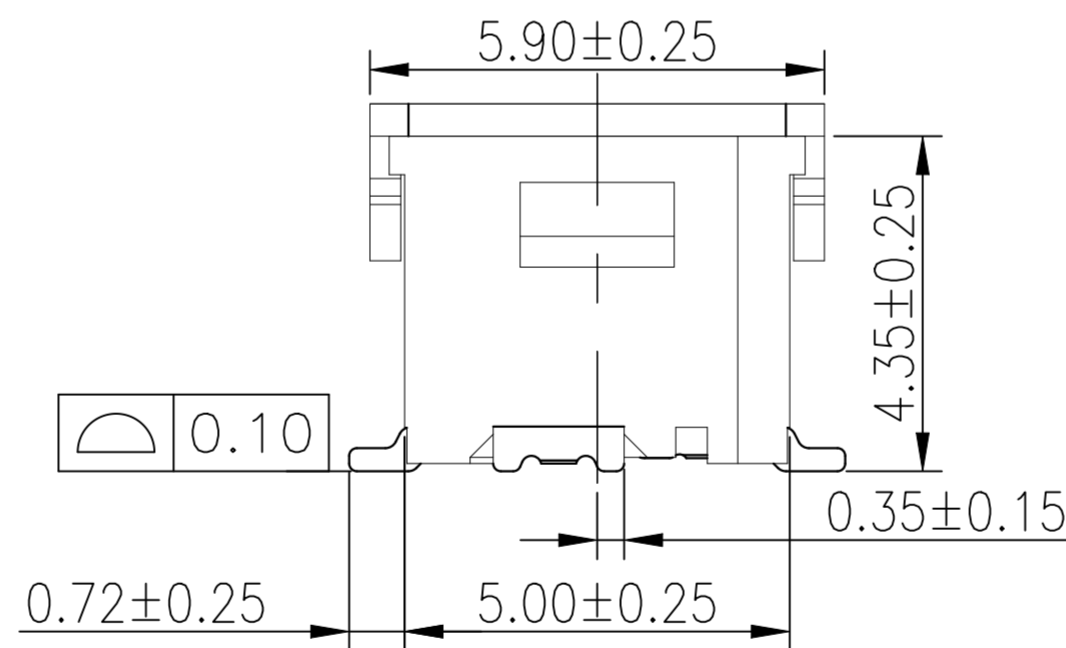
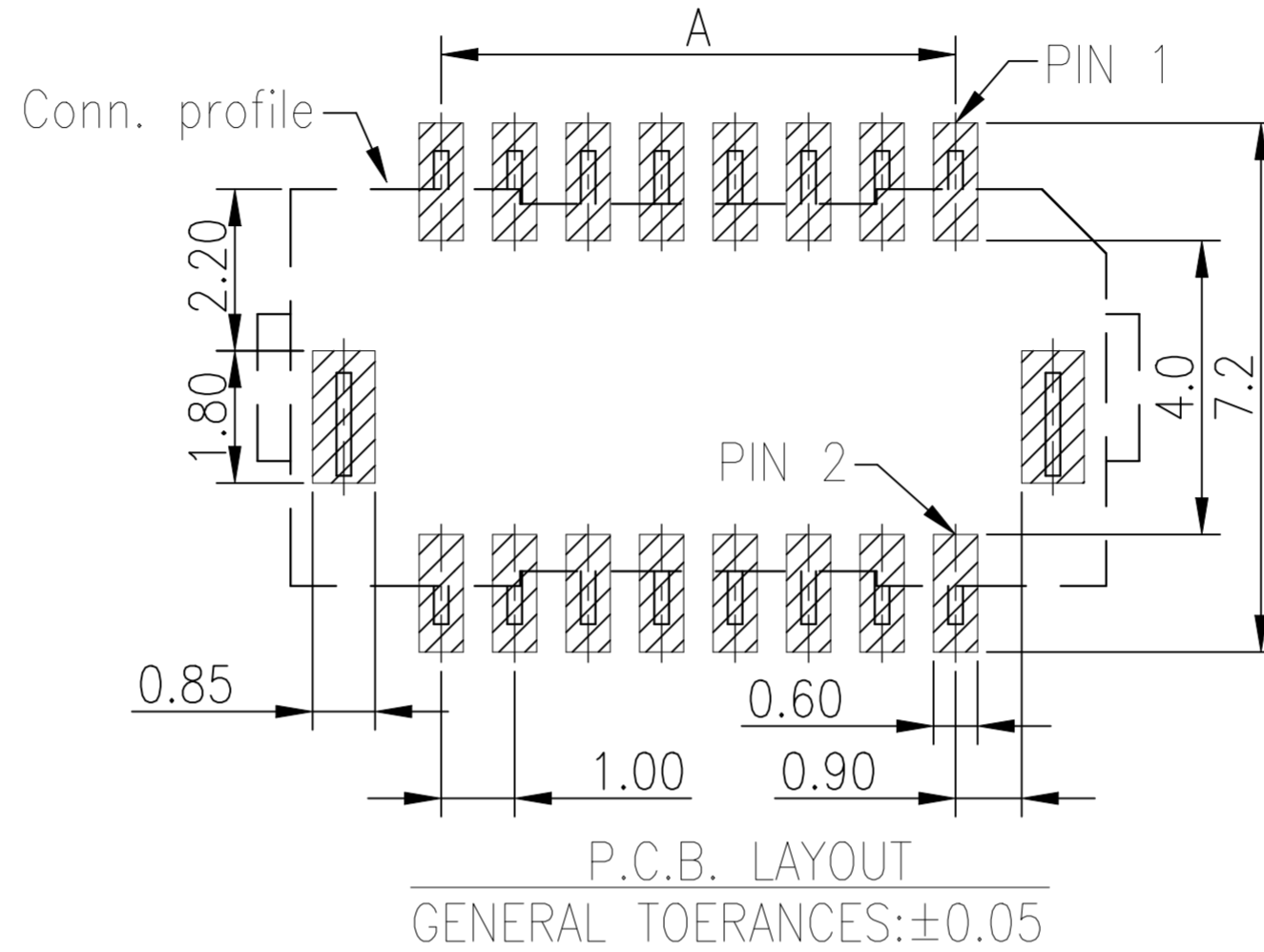
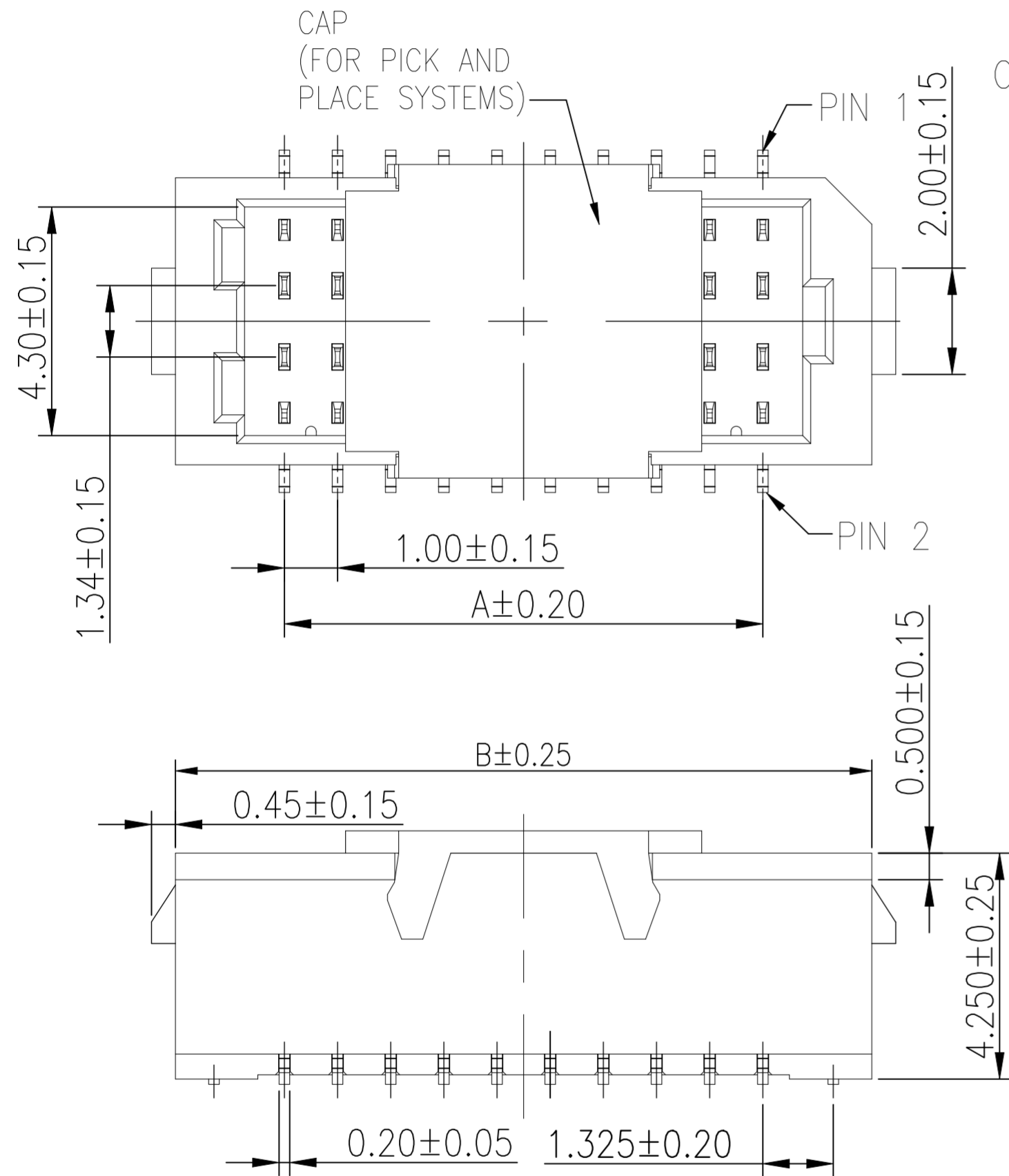


REVISIONS					
P	LTR	DESCRIPTION	DATE	DWN	APVD
A		Released to Production	06APR2026	M.S	J.M



**SPECIFICATIONS**

- Voltage Rating: 50V AC,DC
- Current Rating: 1A AC,DC
- Withstanding Voltage: 500V AC/minute
- Contact Resistance: 20m $\Omega$  Max.
- Insulation Resistance: 100M $\Omega$  Min.
- Temperature Range: -25°C ~ +85°C
- The product using material and processing must conform to the "WI-PZ-142" HSF technical standard control requirements

Material		
Housing	High temperature plastic,UL94V-0, Natural	
PIN	Phosphor Bronze	
Solder Tabs	Brass	
Plating Finish Specifications		
TYPE	Contacts	Solder tabs
A	Au 30u"	Au-Flash
B	Au 15u"	Au-Flash
C	Au-Flash	Au-Flash
D	Matte Tin 100u" MIN	Matte Tin

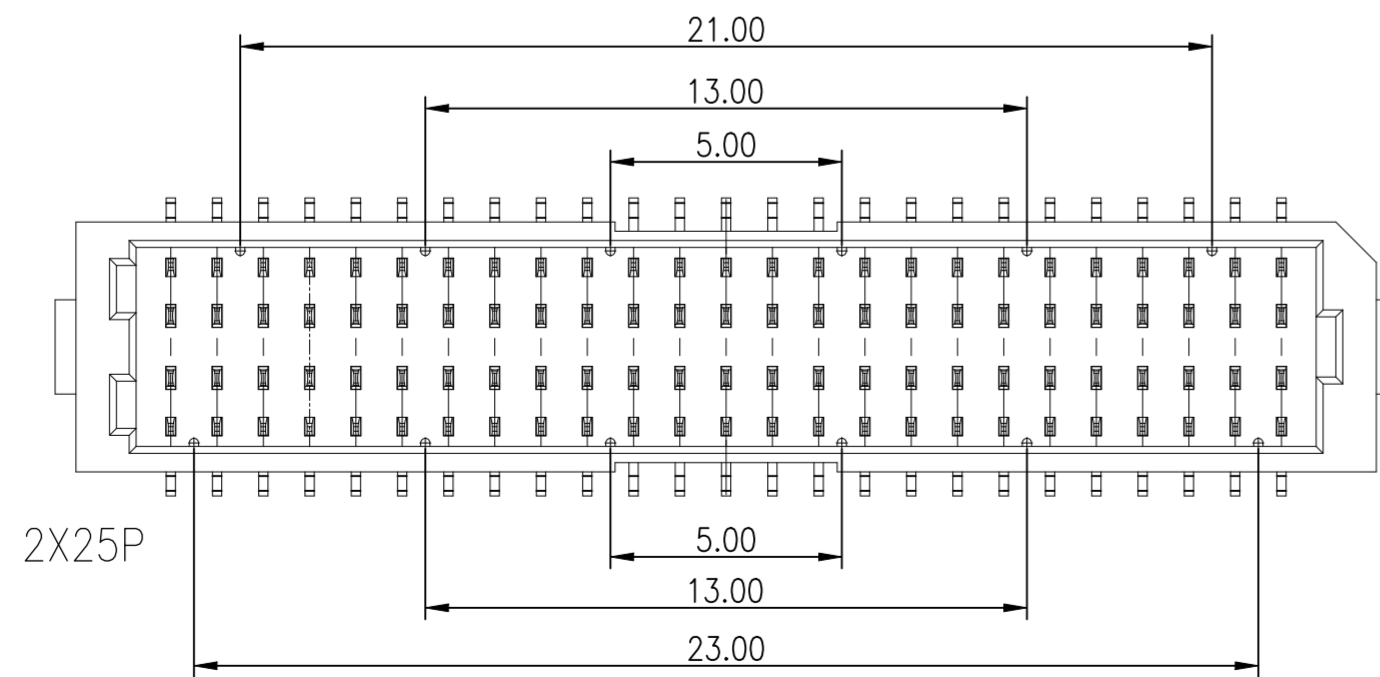
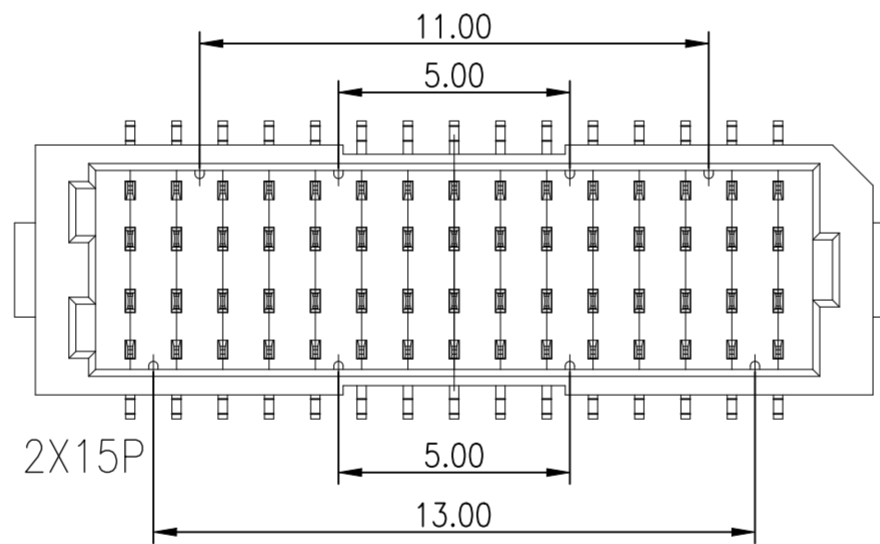
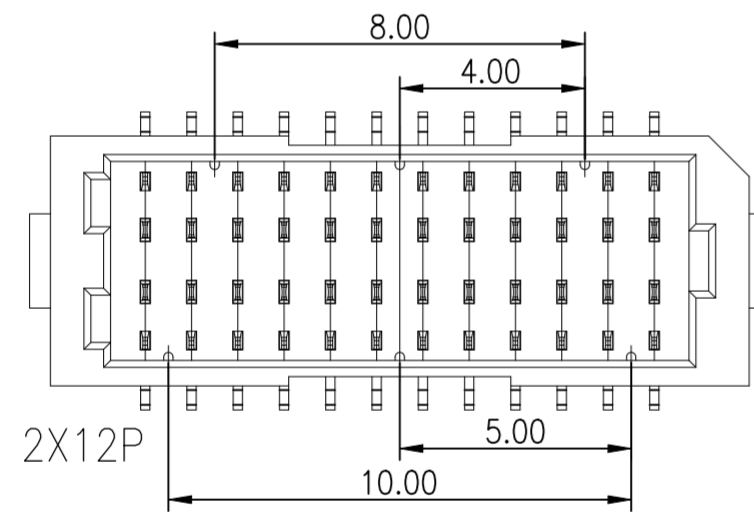
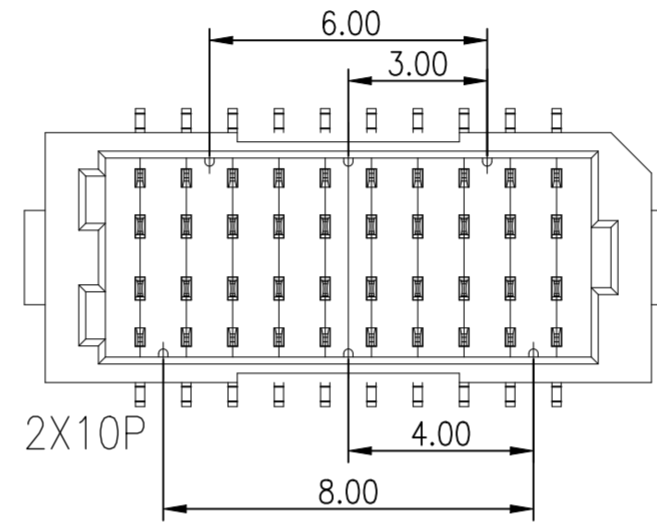
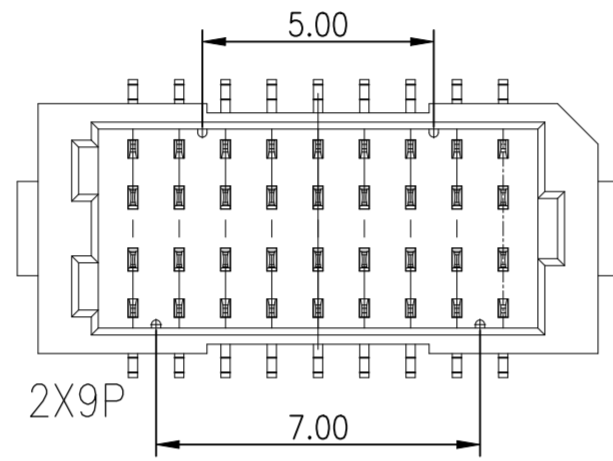
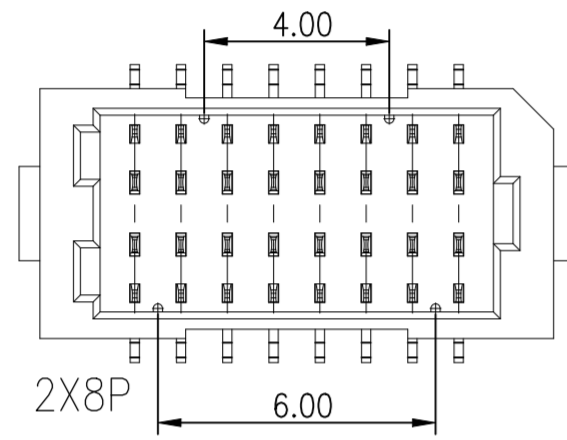
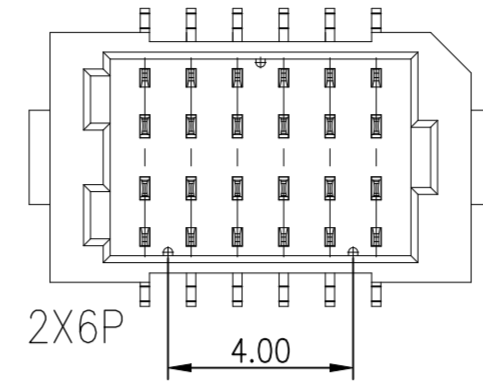
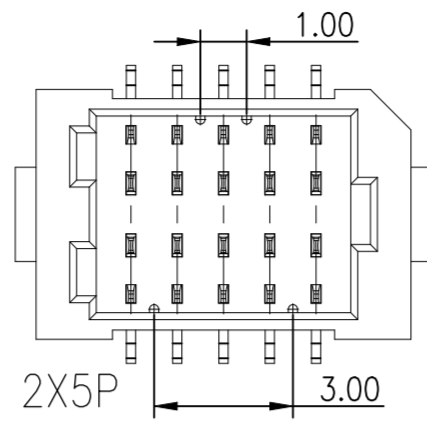
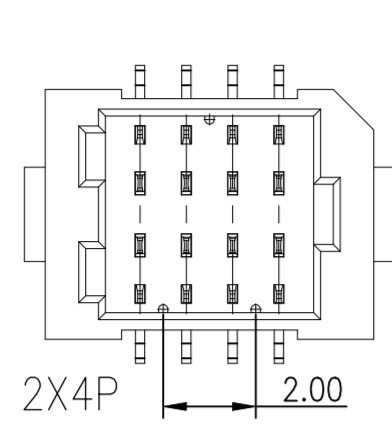
TCPN				Pin Pos No	Dimensions	
TYPE A	TYPE B	TYPE C	TYPE D		A	B
2538949-1	2-2538949-1	4-2538949-1	6-2538949-1	2X4P	3.00	7.10
2538949-2	2-2538949-2	4-2538949-2	6-2538949-2	2X5P	4.00	8.10
2538949-3	2-2538949-3	4-2538949-3	6-2538949-3	2X6P	5.00	9.10
2538949-5	2-2538949-5	4-2538949-5	6-2538949-5	2X8P	7.00	11.10
2538949-6	2-2538949-6	4-2538949-6	6-2538949-6	2X9P	8.00	12.10
2538949-7	2-2538949-7	4-2538949-7	6-2538949-7	2X10P	9.00	13.10
2538949-9	2-2538949-9	4-2538949-9	6-2538949-9	2X12P	11.00	15.10
1-2538949-0	3-2538949-0	5-2538949-0	7-2538949-0	2X15P	14.00	18.10
1-2538949-4	3-2538949-4	5-2538949-4	7-2538949-4	2X25P	24.00	28.10

THIS DRAWING IS A CONTROLLED DOCUMENT.

DIMENSIONS: mm [INCHES]	TOLERANCES UNLESS OTHERWISE SPECIFIED: 0 PLC ± - 1 PLC ± 0.25 2 PLC ± 0.15 3 PLC ± 0.08 4 PLC ± - ANGLES ± 3°	DWN Madhan S 02FEB2026	 TE Connectivity
MATERIAL See Table	FINISH See Table	CHK Madhan S 02FEB2026	
PRODUCT SPEC 108-162481 APPLICATION SPEC 114-161919		APVD Madhan S 02FEB2026	NAME -
		SIZE A2	CAGE CODE 00779
		WEIGHT 0	DRAWING NO C=2538949
CUSTOMER DRAWING		SCALE 1:1	RESTRICTED TO -
		SHEET 1 of 3	REV A

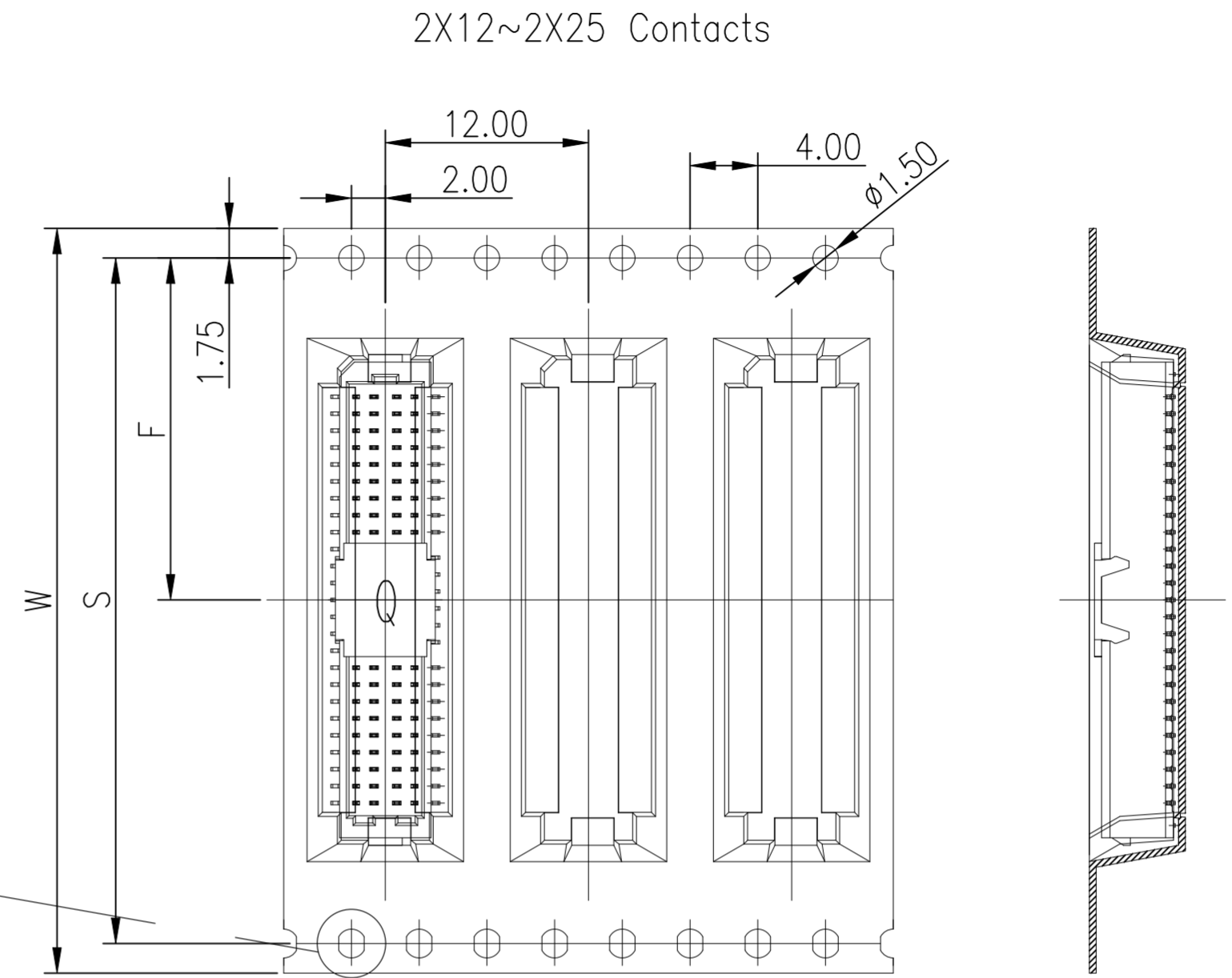
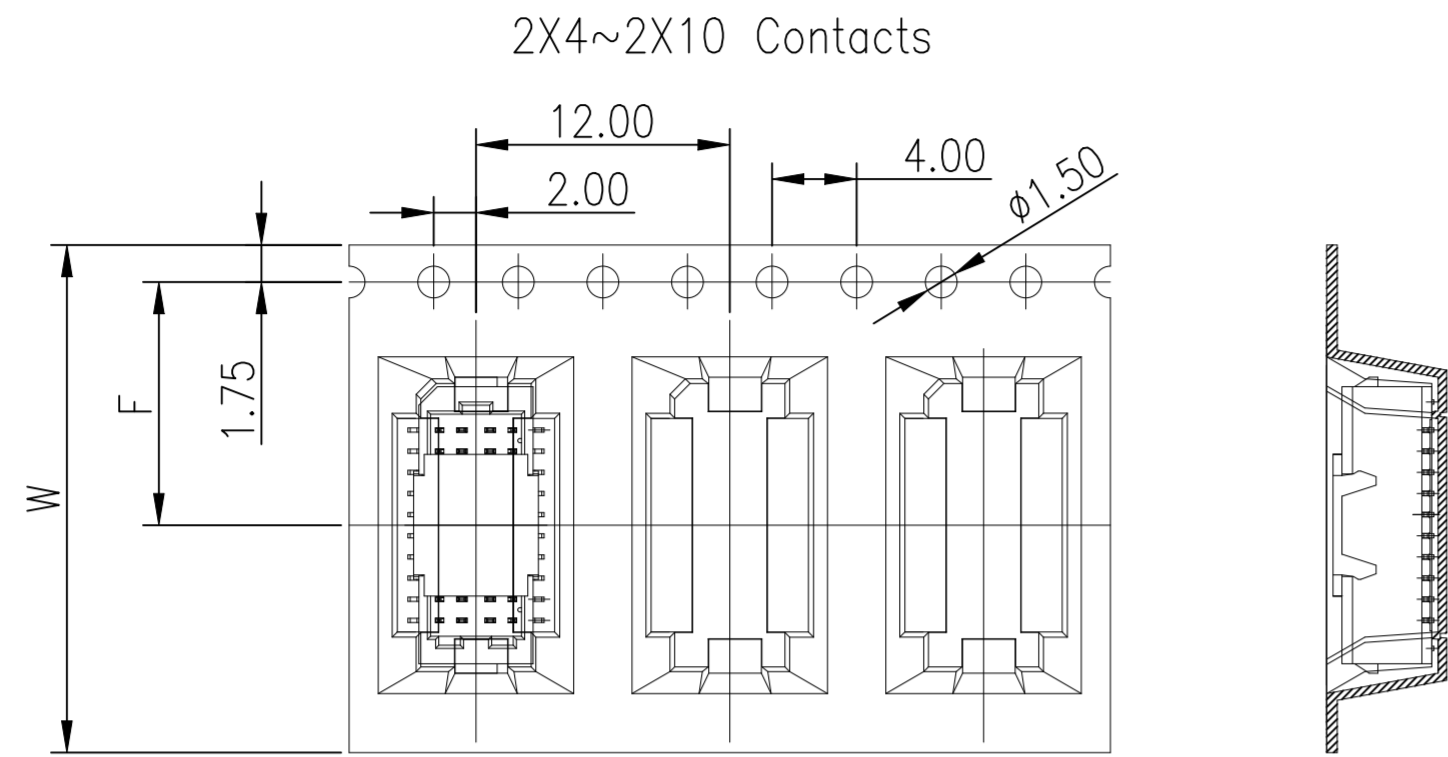
REVISIONS

P	LTR	DESCRIPTION	DATE	DWN	APVD
-	-	SEE SHEET 1	-	-	-



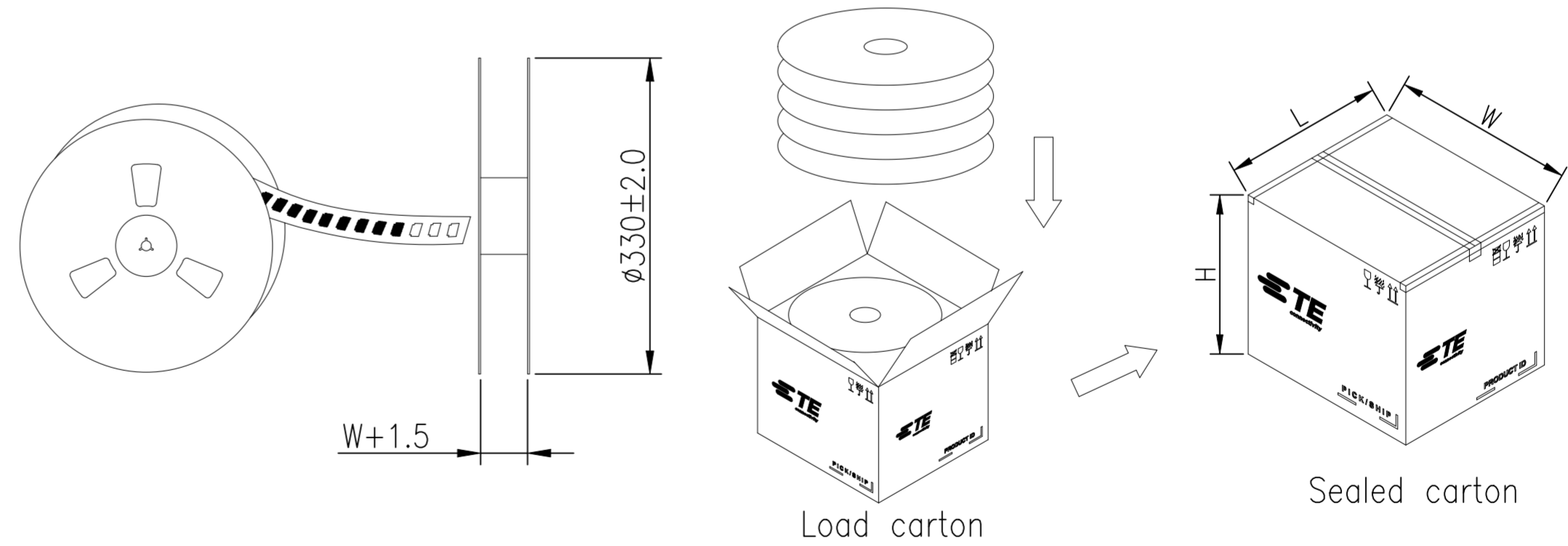
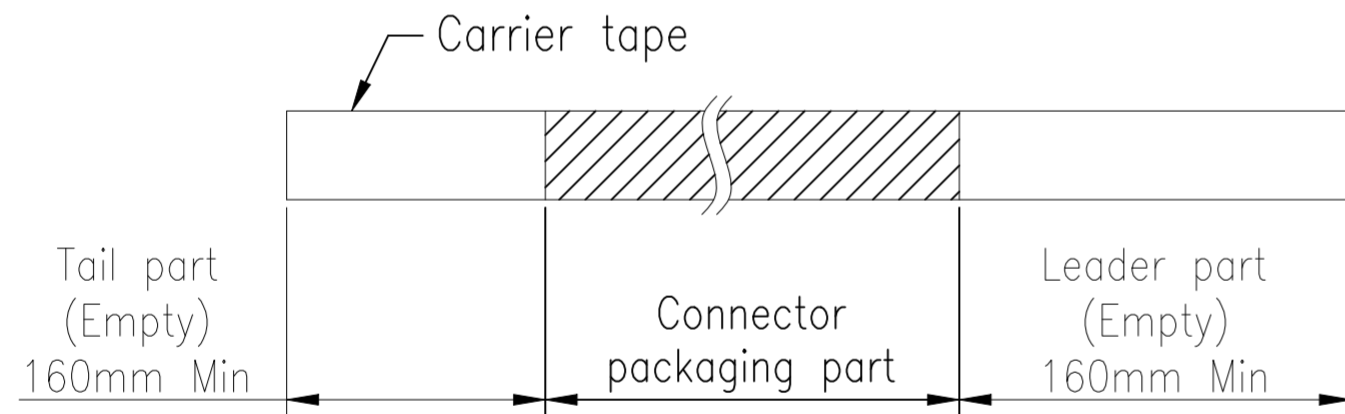
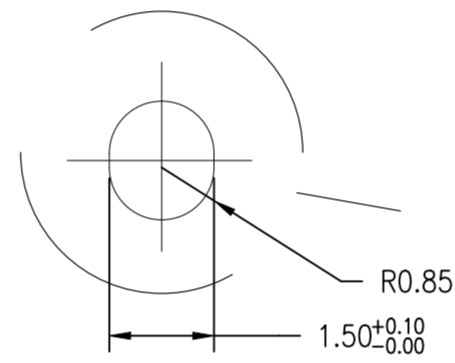
THIS DRAWING IS A CONTROLLED DOCUMENT.		DWN Madhan S 02FEB2026	TE Connectivity	
DIMENSIONS: mm [INCHES]		CHK Madhan S 02FEB2026		
TOLERANCES UNLESS OTHERWISE SPECIFIED:		APVD Madhan S 02FEB2026	NAME -	
0 PLC ± -		PRODUCT SPEC 108-162481	1MM 2 Row External Locking HPI Header	
1 PLC ± 0.25		APPLICATION SPEC 114-161919	SIZE A2	CAGE CODE 00779
2 PLC ± 0.15		WEIGHT 0	DRAWING NO C=2538949	RESTRICTED TO -
3 PLC ± 0.08		MATERIAL See Table	SCALE 1:1	SHEET 2 of 3
4 PLC ± -		FINISH See Table	CUSTOMER DRAWING	REV A
ANGLES ± 3°				

P	LTR	DESCRIPTION	DATE	DWN	APVD
-	-	SEE SHEET 1	-	-	-



Unreeling direction →

Unreeling direction →



Number of Contacts	W±0.3	F±0.1	S±0.1	PCS/Box	carton size(L*W*H)
2X4~2X10P	24	11.50	28.40	5,000	350*350*160
2X12~2X15P	32	14.20	40.40		350*350*190
2X20~2X25P	44	20.20			350*350*250

THIS DRAWING IS A CONTROLLED DOCUMENT.		DWN Madhan S 02FEB2026	<b>TE</b> TE Connectivity	
DIMENSIONS: mm [INCHES]		CHK Madhan S 02FEB2026		
TOLERANCES UNLESS OTHERWISE SPECIFIED:		APVD Madhan S 02FEB2026	NAME -	
0 PLC ± -		PRODUCT SPEC 108-162481	1MM 2 Row External Locking HPI Header	
1 PLC ± 0.25		APPLICATION SPEC 114-161919	SIZE A2	CAGE CODE 00779
2 PLC ± 0.15		WEIGHT 0	DRAWING NO C=2538949	
3 PLC ± 0.08		CUSTOMER DRAWING	SCALE 1:1	SHEET 3 of 3
4 PLC ± -			REV A	
ANGLES ± 3°				
FINISH See Table				