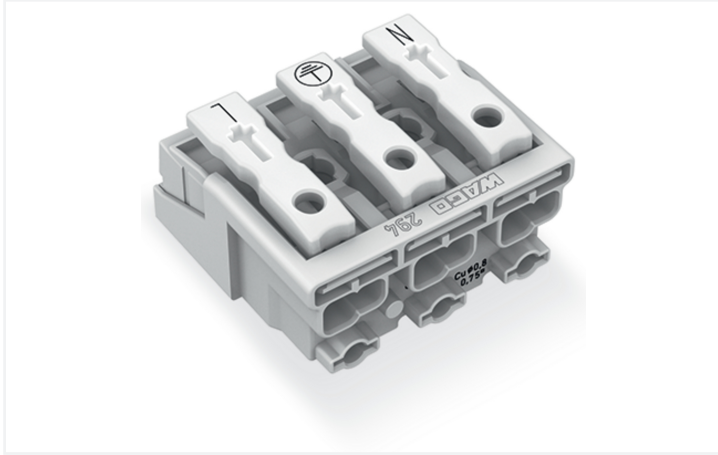


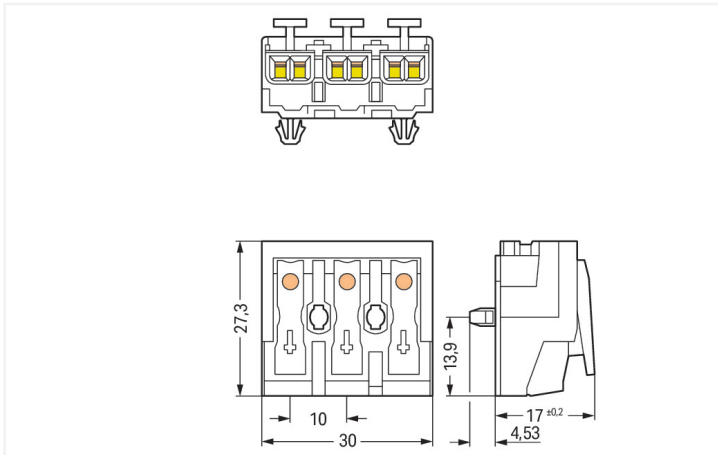
## Data Sheet | Item Number: 294-5013

Lighting connector; push-button, external; without ground contact; N-PE-L; 3-pole;  
Lighting side: for solid conductors; Inst. side: for all conductor types; max. 2.5 mm<sup>2</sup>; Sur-  
rounding air temperature: max 85°C (T85); white

<https://www.wago.com/294-5013>



Color: ■ white



Dimensions in mm

### Field-wiring terminal block, 294 Series, Push-in

Our field-wiring terminal block (item number 294-5013) ensures effortless electrical installations. Strip lengths must be between 8 and 9 mm when connecting conductors to this field-wiring terminal block. This product features four conductor terminals and utilizes Push-in CAGE CLAMP® and PUSH WIRE®. Push-in CAGE CLAMP® connection technology is ideal for connecting all conductor types. It allows direct insertion of both solid and fine-stranded conductors with ferrules without the need for tools—all thanks to its pluggable design. Our PUSH WIRE® connection offers a quick and simple solution for connecting solid conductors. The dimensions are (30 x 21.53 x 27.3) mm (width x height x depth). Depending on the type of conductor, this field-wiring terminal block is designed for conductor cross sections ranging from 0.5 mm<sup>2</sup> to 2.5 mm<sup>2</sup> on one side and for conductor cross sections from 0.5 mm<sup>2</sup> to 2.5 mm<sup>2</sup> on the other side as well as conductor cross sections from 0.5 mm<sup>2</sup> to 1.5 mm<sup>2</sup> and from 0.5 mm<sup>2</sup> to 0.75 mm<sup>2</sup>.

Tin is used for coating the contact surfaces.

## Electrical data

Ratings per	IEC/EN 60998-1		
Overvoltage category	III	III	II
Pollution degree	3	2	2
Nominal voltage	-	-	500 V
Rated impulse withstand voltage	-	-	4 kV
Rated current	-	-	24 A

Ratings per	IEC/EN 60998-2-2		
Overvoltage category	III	III	II
Pollution degree	3	2	2
Nominal voltage	-	-	500 V
Rated impulse withstand voltage	-	-	4 kV
Rated current	-	-	24 A

## Ratings per IEC/EN – Notes

Ratings (note)	Connection points
----------------	-------------------

## General information

Wiring direction	Side-entry wiring
------------------	-------------------

## Connection Data

Clamping units	15
Total number of potentials	3
Number of connection types	4
PE function	without PE contact

## Connection 1

Connection type	External 1
Connection technology	Push-in CAGE CLAMP®
Number of connection points	2
Actuation type	Push-button
Connectable conductor materials	Copper
Solid conductor	0.5 ... 2.5 mm <sup>2</sup> / 18 ... 12 AWG
Solid conductor; push-in termination	0.5 ... 2.5 mm <sup>2</sup> / 18 ... 12 AWG
Stranded conductor	0.5 ... 2.5 mm <sup>2</sup> / 18 ... 14 AWG
Fine-stranded conductor	0.5 ... 2.5 mm <sup>2</sup> / 18 ... 14 AWG
Fine-stranded conductor; with insulated ferrule	0.5 ... 1.5 mm <sup>2</sup> / 18 ... 16 AWG
Fine-stranded conductor; with uninsulated ferrule	0.5 ... 1.5 mm <sup>2</sup> / 18 ... 16 AWG
Fine-stranded conductor; with ferrule; push-in termination	0.5 mm <sup>2</sup> / 18 AWG
Strip length	8 ... 9 mm / 0.31 ... 0.35 inches
Pole number	3

## Connection 2

Connection type	Internal 2
Connection technology	PUSH WIRE®
Number of connection points	1
Actuation type	Push-in
Solid conductor	0.5 ... 2.5 mm <sup>2</sup> / 18 ... 14 AWG
Fine-stranded conductor; with insulated ferrule	0.5 ... 1 mm <sup>2</sup> / 18 ... 16 AWG
Fine-stranded conductor; with uninsulated ferrule	0.5 ... 1.5 mm <sup>2</sup> / 18 ... 14 AWG
Strip length	8 ... 9 mm / 0.31 ... 0.35 inches

## Connection 3

Connection type	Internal 3
Connection technology	PUSH WIRE®
Number of connection points	1
Actuation type	Push-in
Solid conductor	0.5 ... 1.5 mm <sup>2</sup> / 18 ... 16 AWG
Fine-stranded conductor; with insulated ferrule	0.5 ... 0.75 mm <sup>2</sup> / 18 AWG
Fine-stranded conductor; with uninsulated ferrule	0.5 ... 1 mm <sup>2</sup> / 18 AWG
Strip length	8 ... 9 mm / 0.31 ... 0.35 inches

## Connection 4

Connection type	Internal 4
Connection technology	PUSH WIRE®
Number of connection points	1
Actuation type	Push-in
Solid conductor	0.5 ... 0.75 mm <sup>2</sup> / 18 AWG

## Connection 4

Strip length	8 ... 9 mm / 0.31 ... 0.35 inches
--------------	-----------------------------------

### Physical data

Pin spacing	10 mm / 0.394 inches
Width	30 mm / 1.181 inches
Height	21.53 mm / 0.848 inches
Height from the surface	17 mm / 0.669 inches
Depth	27.3 mm / 1.075 inches

### Mechanical data

Marking	N-⊕-L
Mounting type	Snap-in foot

### Material data

Note (material data)	<a href="#">Information on material specifications can be found here</a>
Color	white
Material group	IIIa
Insulation material (main housing)	Polycarbonate (PC)
Flammability class per UL94	V0
Clamping spring material	Chrome-nickel spring steel (CrNi)
Contact material	Electrolytic copper (E <sub>Cu</sub> )
Contact Plating	Tin
Fire load	0.14 MJ
Halogen-free	Yes
Weight	9.2 g

### Environmental requirements

Temperature stability	120 °C
T marking	T85

### Commercial data

Product Group	8 (Misc. Chassis Mount Blocks)
PU (SPU)	500 pcs
Packaging type	Foil
Country of origin	CH
GTIN	4050821020769
Customs tariff number	85369010000

### Product Classification

UNSPSC	39121409
eCl@ss 10.0	27-14-11-06
eCl@ss 9.0	27-14-11-06
ETIM 9.0	EC001284
ETIM 10.0	EC001284
ECCN	NO US CLASSIFICATION

**Environmental Product Compliance**

RoHS Compliance Status	Compliant, No Exemption
SCIP notification number (Austria)	261e4131-dfa1-4519-b046-8ba29a052b54
SCIP notification number (Belgium)	2c241a96-e9e8-4aaa-8b37-a1c69dd1eb93
SCIP notification number (Bulgaria)	9fc27bff-8e04-413e-bc77-16aac5df3365
SCIP notification number (Czech Republic)	6a076f0d-d806-4563-aa57-c95910ca78eb
SCIP notification number (Denmark)	15b035cd-24b4-4da1-a5a1-8bc1180e43ef
SCIP notification number (Finland)	c6dfa81e-6a4f-433c-b60b-384745832484
SCIP notification number (France)	f9b42a0b-ecea-4f72-b8de-a37feab979a1
SCIP notification number (Germany)	27bf33bf-13ef-4c7f-8836-a3d119bf4c37
SCIP notification number (Hungary)	8a5c5a57-b067-49ed-b7b7-91d68bb5f60d
SCIP notification number (Italy)	824ef409-e605-41fb-bc1d-8197a7a56593
SCIP notification number (Netherlands)	c056a6d6-e95d-4305-8962-bd0f4f67a7e9
SCIP notification number (Poland)	fb5c304-e75e-43fa-8d15-9a8a76838533
SCIP notification number (Romania)	8caed363-3f18-4a40-9e3f-feccad99e6b5
SCIP notification number (Sweden)	cdb67ae8-3810-474d-bb10-ff17b7bc68bc

**Approvals / Certificates**

General approvals			Declarations of conformity and manufacturer's declarations		
Approval	Standard	Certificate Name	Approval	Standard	Certificate Name
ENEC 05 DEKRA Certification B.V.	EN 60998	2128791.01	EU-Declaration of Conformity WAGO GmbH & Co. KG	-	-
			UK-Declaration of Conformity WAGO GmbH & Co. KG	-	-

**Downloads**

**Environmental Product Compliance**

Compliance Search	
Environmental Product Compliance 294-5013	<a href="#">↓</a>

**Documentation**

Bid Text			
294-5013	19.02.2019	xml 5.58 KB	<a href="#">↓</a>
294-5013	13.06.2017	doc 27.00 KB	<a href="#">↓</a>

**CAD/CAE-Data**

**CAD data**  
2D/3D Models 294-5013

**CAE data**  
WSCAD Universe 294-5013   
ZUKEN Portal 294-5013

**1 Compatible Products**

**1.1 Optional Accessories**

**1.1.1 Strain relief**

**1.1.1.1 Strain relief**



**Item No.: 294-370**

Strain relief; for 294 Series; with snap-in mounting feet; white

**Item No.: 294-375**

Strain relief; for 294 Series; without snap-in mounting feet; white

**1.1.1.2 Strain relief plate**



**Item No.: 294-364**

Strain relief plate; for 294 Series; for multi-core cables; 3- to 5-pole; with secured clamp; white

**Item No.: 294-384**

Strain relief plate; for 294 Series; for single strands; 3- to 5-pole; with secured clamp; white

**1.1.2 Tool**

**1.1.2.2 Operating tool**

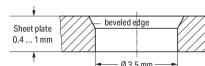
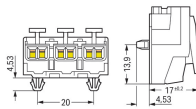
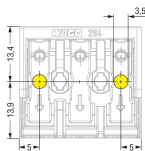


**Item No.: 206-294**

Disconnection tool; green

**Installation Notes**

**Installation**

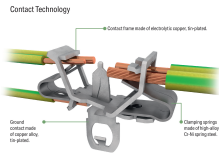


3-pole – without ground contact

Snap-in foot

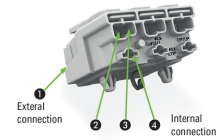
Drilled hole for snap-in mounting foot

**Conductor termination**



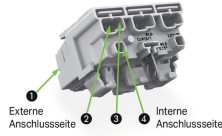
EUROPE
1 x 0.5 ... 2.5 mm <sup>2</sup> *s*
1 x 0.5 ... 1.5 mm <sup>2</sup> *s*
1 x 0.5 ... 0.75 mm <sup>2</sup> *s*
AMERICA
1 x AWG 18 ... 14 *s*
1 x AWG 18 ... 16 *s*
1 x AWG 18 *s*
JAPAN
1 x 0.8 ... 1.6 mm diam. *s*
1 x 0.8 ... 1 mm diam. *s*
1 x 0.8 mm diam. *s*

EUROPE
2 x 0.5 ... 2.5 mm <sup>2</sup> *s, str. f-str*
AMERICA
2 x AWG 18 ... 12 *s*
2 x AWG 18 ... 14 *s, f-str*
JAPAN
2 x 0.8 ... 2 mm diam. *s*
2 x 0.5 ... 2 mm <sup>2</sup> *str, f-str*



**Internal connection:**  
 PUSH WIRE® for internal wiring with solid conductors

**External connection:**  
 Push-in CAGE CLAMP® for field-wiring with all conductor types



Terminating five conductors per pole – solid and fine-stranded.

