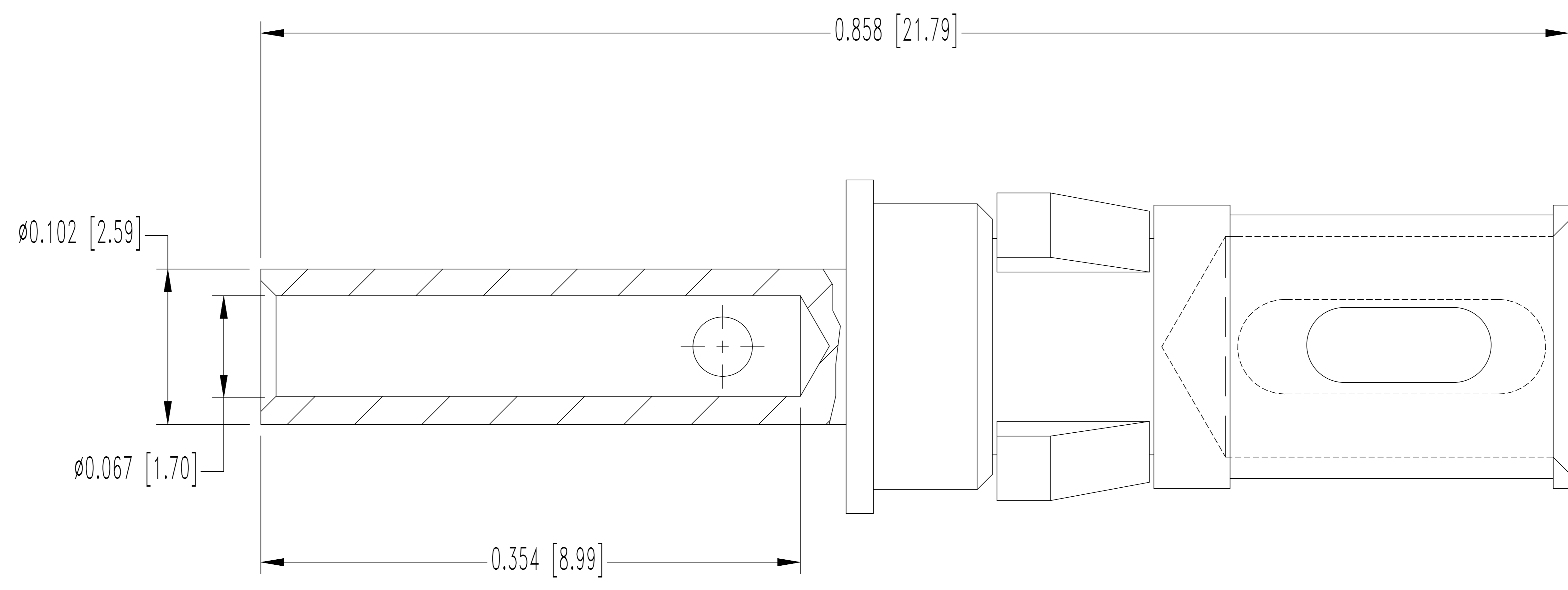


SK8621

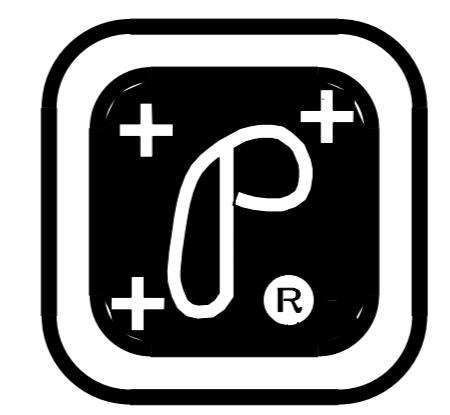
THIS DRAWING CONTAINS INFORMATION PROPRIETARY TO POSITRONIC AND ITS SUBSIDIARIES. POSITRONIC BELIEVES THE DATA ON THIS DRAWING TO BE RELIABLE. SINCE THE TECHNICAL INFORMATION IS GIVEN FREE OF CHARGE, THE USER EMPLOYS SUCH INFORMATION AT HIS OWN DISCRETION AND RISK. POSITRONIC ASSUMES NO RESPONSIBILITY FOR RESULTS OBTAINED OR DAMAGES INCURRED FROM USE OF SUCH INFORMATION IN WHOLE OR IN PART.

DATE	REV	REVISION RECORD	APP	DR	CK
6-6-07	NC	ECO 27993	RW	YK	COLE
3-26-10	A	ECO 32294	COLE	BE	SY
07-15-15	B	ECO 47525	COLE	CV	CP
9-13-16	C	ECO 52580	COLE	CM	COLE



NOTES:

- MATERIAL AND FINISH:  
 CONTACT: HIGH CONDUCTIVITY COPPER ALLOY, 0.000050 [1.27μ] GOLD OVER COPPER FINISH.  
 SPRING CLIP: BERYLLIUM COPPER, 0.000050 [1.27μ] GOLD OVER COPPER FINISH.  
 RETENTION RING: POLYETHERIMIDE, COLOR BLACK.
- DETAILED PRODUCT, ELECTRICAL, AND MECHANICAL INFORMATION IS AVAILABLE IN THE LATEST STANDARD DENSITY COMBO-D PRODUCT PUBLICATION.  
 VISIT [CONNECTPOSITRONIC.COM/PRODUCTS/1/STANDARD DENSITY COMBO-D](http://CONNECTPOSITRONIC.COM/PRODUCTS/1/STANDARD DENSITY COMBO-D) OR [CONNECTPOSITRONIC.COM](http://CONNECTPOSITRONIC.COM).
- DIMENSIONS ARE IN INCHES [MILLIMETERS].

 <b>POSITRONIC INDUSTRIES INC.</b> SPRINGFIELD, MISSOURI 65801		SCALE	DRAWN BY
		N.T.S.	YK
DECIMAL TOL.	CBD SERIES	APPROVED BY	RW
± 0.015 [0.38]		TITLE	FC4016M
ANGULAR TOL.	DATE	DRAWING NUMBER	REV.
± 5°	6-6-07	SK8621	C