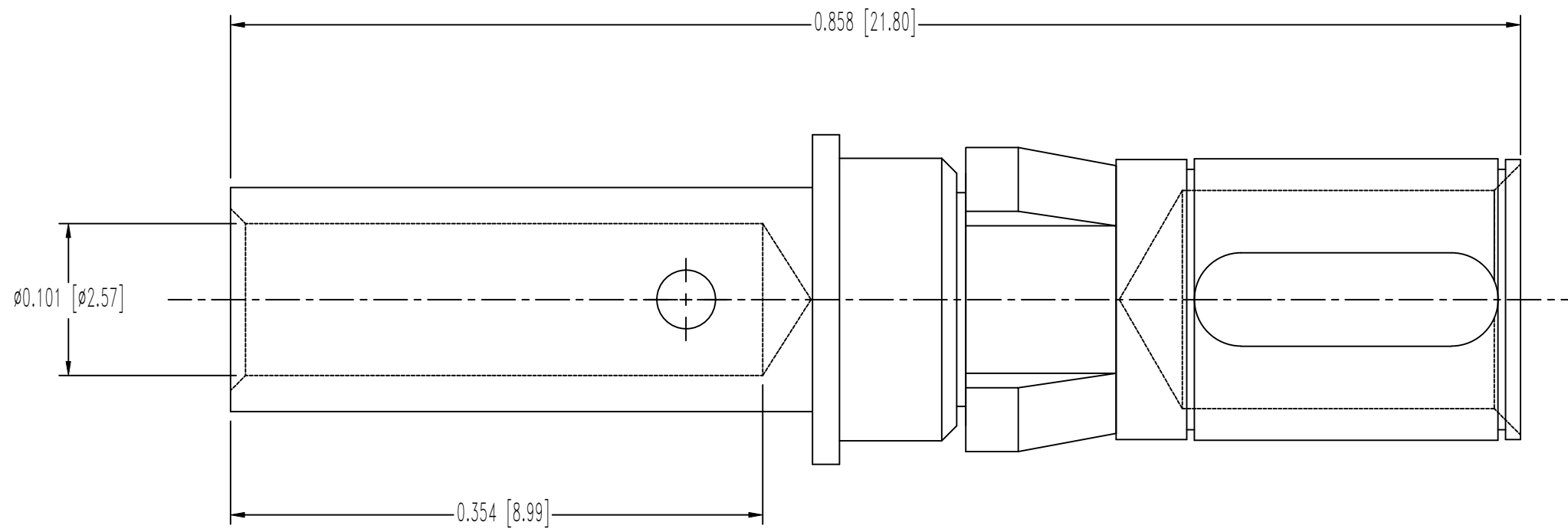


SK23840

THIS DRAWING CONTAINS INFORMATION PROPRIETARY TO POSITRONIC AND ITS SUBSIDIARIES. POSITRONIC BELIEVES THE DATA ON THIS DRAWING TO BE RELIABLE. SINCE THE TECHNICAL INFORMATION IS GIVEN FREE OF CHARGE, THE USER EMPLOYS SUCH INFORMATION AT HIS OWN DISCRETION AND RISK. POSITRONIC ASSUMES NO RESPONSIBILITY FOR RESULTS OBTAINED OR DAMAGES INCURRED FROM USE OF SUCH INFORMATION IN WHOLE OR IN PART.

DATE	REV	REVISION RECORD	APP	DR	CK
06-25-18	A	ECO 61495	RK	GJ	AB



NOTES:

1. MATERIAL AND FINISH:

CONTACTS: PRECISION MACHINED COPPER ALLOY, 0.000050 [1.27μ] GOLD OVER NICKEL PLATE.  
RETENTION RING: POLYETHERIMIDE, COLOR: BLACK.

SPRING CLIP: BERYLLIUM COPPER, 0.000050 [1.27μ] GOLD OVER NICKEL PLATE.

2. DETAILED PRODUCT, MECHANICAL AND ELECTRICAL INFORMATION IS AVAILABLE IN THE LATEST STANDARD DENSITY COMBO-D PRODUCT PUBLICATION AT CONNECTPOSITRONIC.COM.

3. CONTACTS ARE COMPLIANT TO THE CURRENT ROHS DIRECTIVE.

5. DIMENSIONS ARE IN INCHES [MILLIMETERS].

	<b>POSITRONIC INDUSTRIES INC.</b> www.connectpositronic.com		FSCM 28198
	SCALE N.T.S.	DRAWN BY GANESH J.	APPROVED BY RK
DECIMAL TOL. ± 0.015 [0.38]	TITLE CBD SERIES FC4012D/AA-15		
ANGULAR TOL. ± 5°	DATE 06-25-18	DRAWING NUMBER SK23840	REV. A