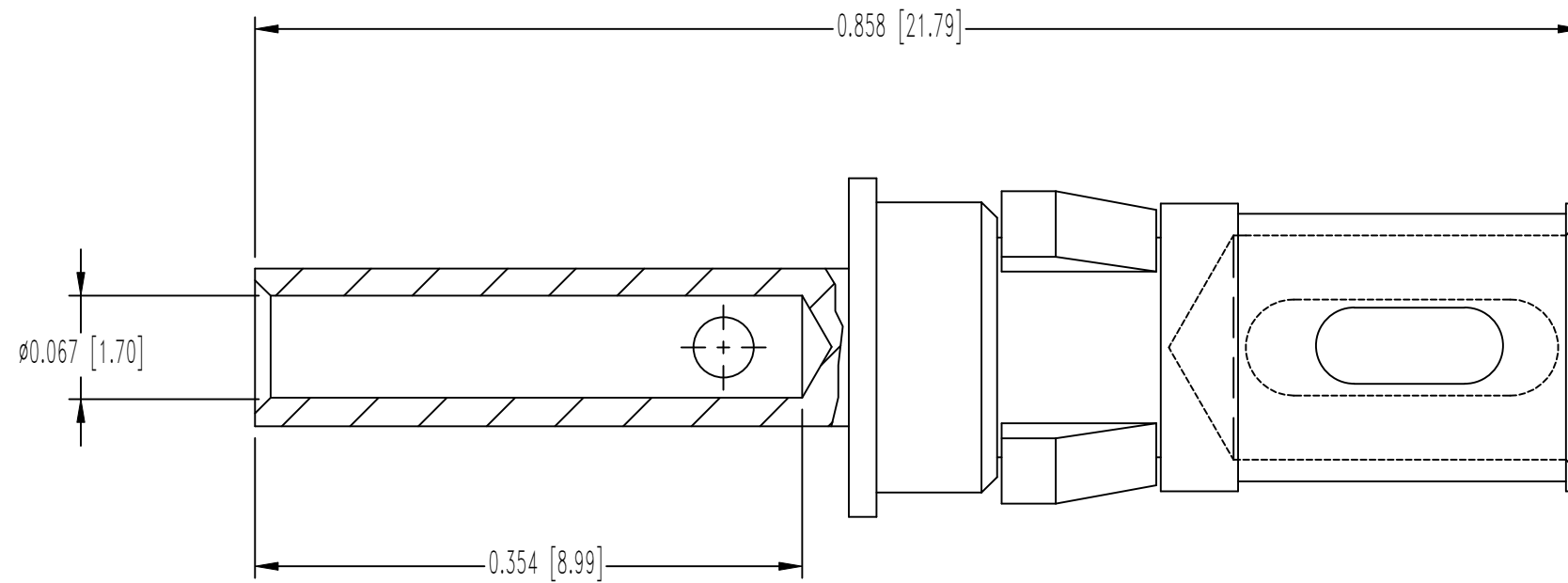


SK16307

THIS DRAWING CONTAINS INFORMATION PROPRIETARY TO POSITRONIC AND ITS SUBSIDIARIES. POSITRONIC BELIEVES THE DATA ON THIS DRAWING TO BE RELIABLE, SINCE THE TECHNICAL INFORMATION IS GIVEN FREE OF CHARGE, THE USER EMPLOYS SUCH INFORMATION AT HIS OWN DISCRETION AND RISK. POSITRONIC ASSUMES NO RESPONSIBILITY FOR RESULTS OBTAINED OR DAMAGES INCURRED FROM USE OF SUCH INFORMATION IN WHOLE OR IN PART.

DATE	REV	REVISION RECORD	APP	DR	CK
7-21-14	NC	ECO 43921	TK	BS	COLE
9-13-16	A	ECO 52574	COLE	CM	COLE



NOTES:

1. MATERIALS AND FINISHES:

CONTACT: PRECISION MACHINED COPPER ALLOY, 0.000030 [0.76μ] GOLD OVER NICKEL PLATE.

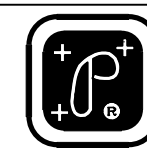
RETENTION RING: POLYETHERIMIDE, COLOR BLACK.

SPRING CLIP: BERYLLIUM COPPER, GOLD FLASH OVER NICKEL PLATE.

2. DETAILED PRODUCT, MECHANICAL, AND ELECTRICAL INFORMATION IS AVAILABLE IN THE LATEST STANDARD DENSITY COMBO-D PRODUCT PUBLICATION.

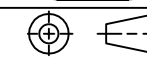
VISIT [CONNECTPOSITRONIC.COM/PRODUCTS/1/STANDARD DENSITY COMBO-D](http://CONNECTPOSITRONIC.COM/PRODUCTS/1/STANDARD DENSITY COMBO-D) OR [CONNECTPOSITRONIC.COM](http://CONNECTPOSITRONIC.COM).

3. DIMENSIONS ARE IN INCHES [MILLIMETERS].



**POSITRONIC INDUSTRIES INC.**  
www.connectpositronic.com

FSCM 28198



DECIMAL TOL.  
± 0.015 [0.38]

ANGULAR TOL.  
± 5°

CBD SERIES

SCALE  
N.T.S.

DRAWN BY  
B SHELLDY  
APPROVED BY  
TK

TITLE  
FC4016D-14

DATE  
7-21-14

DRAWING NUMBER  
SK16307

REV.  
A