

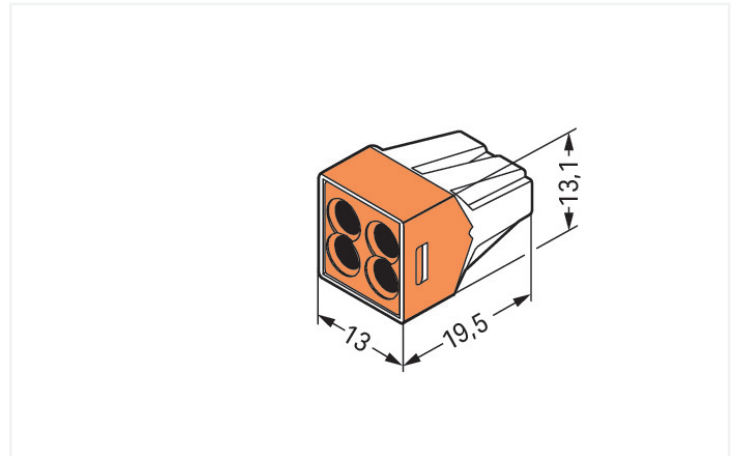
## Data Sheet | Item Number: 773-164

PUSH WIRE® connector for junction boxes; for solid and stranded conductors; max. 2.5 mm<sup>2</sup>; 4-conductor; transparent housing; orange cover; Surrounding air temperature: max 60°C; 2,50 mm<sup>2</sup>; transparent

<https://www.wago.com/773-164>



Color:  transparent



Dimensions in mm

Push wire® splicing connector, 773 Series, Push-in

Fault-free electrical installations are guaranteed with push wire® splicing connector (item number 773-164). Quickly and securely connect conductors in any building installation with WAGO's 773 Series PUSH WIRE® connectors, designed for both surface and flush-mounted junction boxes. Whether used in private or commercial applications, this series of PUSH WIRE® connectors for junction boxes ensures simple and time-saving installations. Conductors should only be connected to push wire® splicing connector if their strip length is 12 mm. Our splicing connector is rated for 400 V and is designed to handle a rated current of up to 24 A. It is therefore suitable for high-load applications. Featuring conductor terminals along with PUSH WIRE®, this product is highly versatile. Our trusted PUSH WIRE® connection offers the fastest method for clamping conductors. It utilizes the conductor's stiffness to overcome the clamping spring's contact force. The item's dimensions are (13 x 13.1 x 19.5) mm (width x height x depth). Push wire® splicing connector is suitable for conductor cross sections ranging from 0.75 mm<sup>2</sup> to 2.5 mm<sup>2</sup>.

Tin is used for coating the contact surfaces.

### Notes

General safety information

**NOTICE: Observe installation and safety instructions!**

- **Only to be used by electricians!**
- Do not work under voltage/load!
- Use only for proper use!
- Observe national regulations/standards/guidelines!
- Observe technical specifications for the products!
- Observe the number of permissible potentials!
- Do not use damaged/dirty components!
- Observe conductor types, cross-sections and strip lengths!
- Insert conductor until it hits the product's backstop!
- Use original accessories!

Safety Information

**To be sold only with installation instructions!**

in grounded power lines

## Electrical data

| Ratings per                     | IEC/EN 60664-1 |     |       |
|---------------------------------|----------------|-----|-------|
| Overvoltage category            | III            | III | II    |
| Pollution degree                | 3              | 2   | 2     |
| Nominal voltage                 | -              | -   | 400 V |
| Rated impulse withstand voltage | -              | -   | 4 kV  |
| Rated current                   | -              | -   | 24 A  |

## General information

|                  |                   |
|------------------|-------------------|
| Wiring direction | Side-entry wiring |
|------------------|-------------------|

## Connection Data

|                            |   |
|----------------------------|---|
| Clamping units             | 4 |
| Total number of potentials | 1 |

## Connection 1

|  |   |
|--|---|
| Connection technology                  | PUSH WIRE®  |
| Actuation type                         | Push-in   |
| Connectable conductor materials        | Copper<br>Aluminum  |
| Connectable conductor materials (note) | <b>Terminating Aluminum Conductors (not for use in North America)</b> WAGO Spring-Clamp Terminal Blocks are also suitable for solid aluminum conductors up to 4 mm <sup>2</sup> /12 AWG if WAGO "Alu-Plus" Contact Paste <a href="#">249-130</a> is used for termination. |

"Alu-Plus" Contact Paste Advantages:

- Automatically destroys the oxide film during clamping.
- Prevents fresh oxidation at the clamping point.
- Prevents electrolytic corrosion between aluminum and copper conductors (in the same terminal block).
- Provides long-term protection against corrosion.

For spring pressure connections with PUSH WIRE® connection technology, **WAGO recommends that the aluminum conductor first be cleaned** and then immediately inserted into the clamping unit filled with "Alu-Plus" contact paste.

It is also possible to apply WAGO "Alu-Plus" **additionally** on the whole surface of the aluminum conductor before termination.

Please note that the nominal currents must be adapted to the reduced conductivity of the aluminum conductors:

2.5 mm<sup>2</sup> = 16 A  
4 mm<sup>2</sup> = 22 A

|                    |  |
|--------------------|--|
| Solid conductor    | 0.75 ... 2.5 mm <sup>2</sup> / 18 ... 12 AWG |
| Stranded conductor | 1.5 ... 2.5 mm <sup>2</sup> / 16 ... 12 AWG  |
| Strip length       | 12 mm / 0.47 inches                          |
| Wiring direction   | Side-entry wiring                            |

### Physical data

|        |                        |
|--------|------------------------|
| Width  | 13 mm / 0.512 inches   |
| Height | 13.1 mm / 0.516 inches |
| Depth  | 19.5 mm / 0.768 inches |

### Material data

|                                    |  |
|------------------------------------|--|
| Note (material data)               | <a href="#">Information on material specifications can be found here</a> |
| Color                              | transparent  |
| Cover color                        | orange   |
| Material group                     | IIIa   |
| Insulation material (main housing) | Polycarbonate (PC)   |
| Flammability class per UL94        | V2   |
| Clamping spring material           | Chrome-nickel spring steel (CrNi)  |
| Contact material                   | Electrolytic copper (E <sub>CU</sub> )                                   |
| Contact Plating                    | Tin  |
| Fire load                          | 0.057 MJ   |
| Weight                             | 2.7 g  |

### Environmental requirements

|                                  |        |
|----------------------------------|--------|
| Ambient temperature (operation)  | +60 °C |
| Continuous operating temperature | 105 °C |

### Commercial data

|                   |                     |
|-------------------|---------------------|
| Product Group     | 7 (Push Wire Conn.) |
| PU (SPU)          | 1000 (100) pcs      |
| Packaging type    | Box                 |
| Country of origin | DE                  |
| GTIN              | 4044918398022       |

### Product Classification

|             |                      |
|-------------|----------------------|
| UNSPSC      | 39121409             |
| eCl@ss 10.0 | 27-14-11-04          |
| eCl@ss 9.0  | 27-14-11-04          |
| ETIM 9.0    | EC000446             |
| ETIM 10.0   | EC000446             |
| ECCN        | NO US CLASSIFICATION |

### Environmental Product Compliance

|                        |                         |
|------------------------|-------------------------|
| RoHS Compliance Status | Compliant, No Exemption |
|------------------------|-------------------------|

## Approvals / Certificates

### General approvals



| Approval                            | Standard | Certificate Name |
|-------------------------------------|----------|------------------|
| CSA<br>DEKRA Certification B.V.     | C22.2    | 15411 (LR46759)  |
| UL<br>UL International Germany GmbH | UL 486C  | E69654           |

## Downloads

### Environmental Product Compliance

#### Compliance Search

Environmental Product Compliance 773-164



## CAD/CAE-Data

### CAE data

EPLAN Data Portal 773-164



WSCAD Universe 773-164



## 1 Compatible Products

### 1.1 Optional Accessories

#### 1.1.1 Mounting adapter

##### 1.1.1.1 Mounting accessories



**Item No.: 773-332**

Mounting carrier; 773 Series - 2.5 mm<sup>2</sup> / 4 mm<sup>2</sup> / 6 mm<sup>2</sup>; for DIN-35 rail mounting/ screw mounting; orange

## 1.1.2 Tool

### 1.1.2.1 "Alu-Plus" contact paste



Item No.: [249-130](#)

Syringe; Contents: 20 ml Alu-Plus contact paste