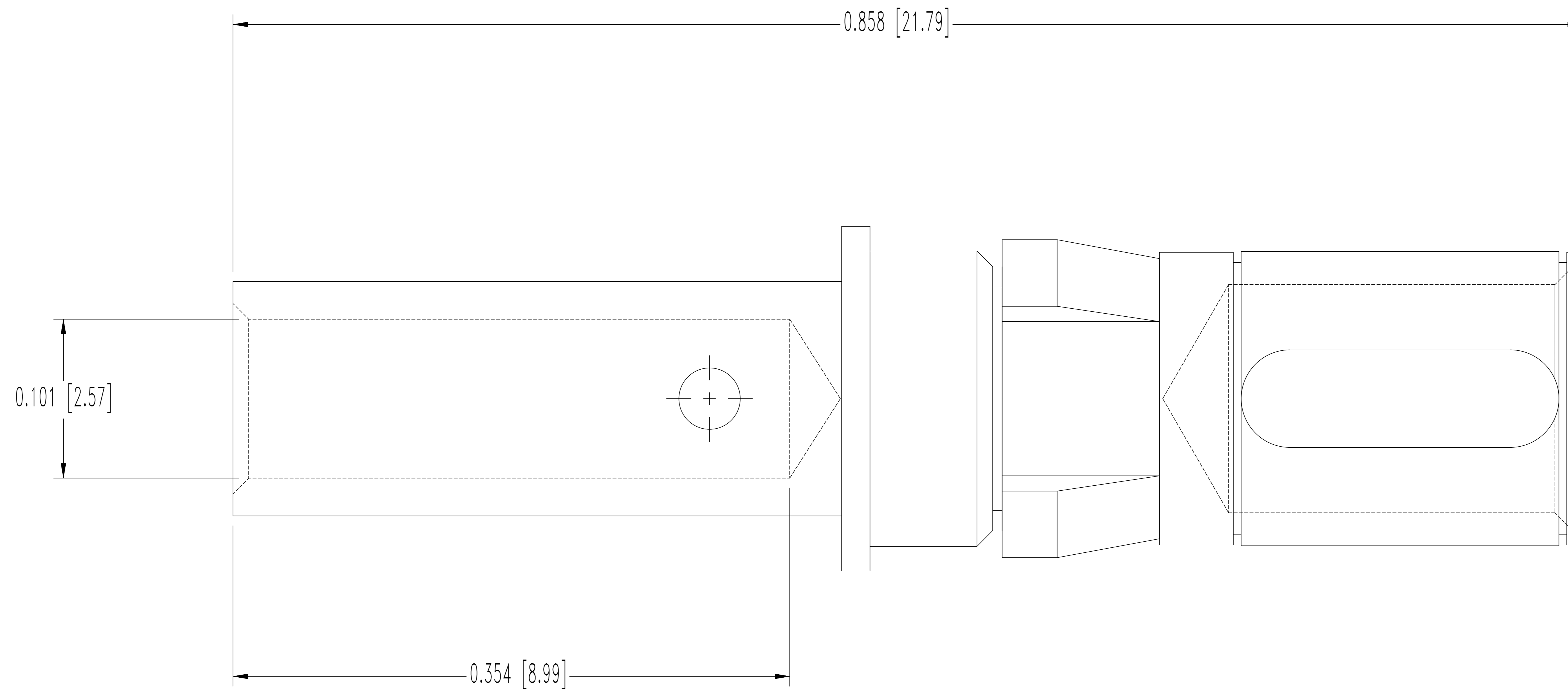


SK3513

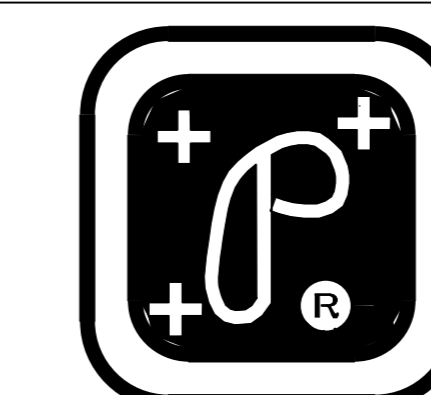
THIS DRAWING CONTAINS INFORMATION PROPRIETARY TO POSITRONIC AND ITS SUBSIDIARIES. POSITRONIC BELIEVES THE DATA ON THIS DRAWING TO BE RELIABLE, SINCE THE TECHNICAL INFORMATION IS GIVEN FREE OF CHARGE, THE USER EMPLOYS SUCH INFORMATION AT HIS OWN DISCRETION AND RISK. POSITRONIC ASSUMES NO RESPONSIBILITY FOR RESULTS OBTAINED OR DAMAGES INCURRED FROM USE OF SUCH INFORMATION IN WHOLE OR IN PART.

DATE	REV	REVISION RECORD	APP	DR	CK
12-12-00	NC	ECO 17125		YK	



NOTES:

1. MATERIAL: COPPER ALLOY, 0.000030 INCH [0.75μ] GOLD OVER NICKEL.
2. DIMENSIONS ARE IN INCHES [MILLIMETERS].



POSITRONIC INDUSTRIES INC.
 SPRINGFIELD, MISSOURI 65801

	DECIMAL TOL.	CBD SERIES TITLE FC4012D-14	SCALE	DRAWN BY Y. KELLEYBREW APPROVED BY
	± 0.015 [0.38]		N.T.S.	
WF #3269	DATE	DRAWING NUMBER	REV.	
ANGULAR TOL.	12-12-00	SK3513	NC	
± N/A				