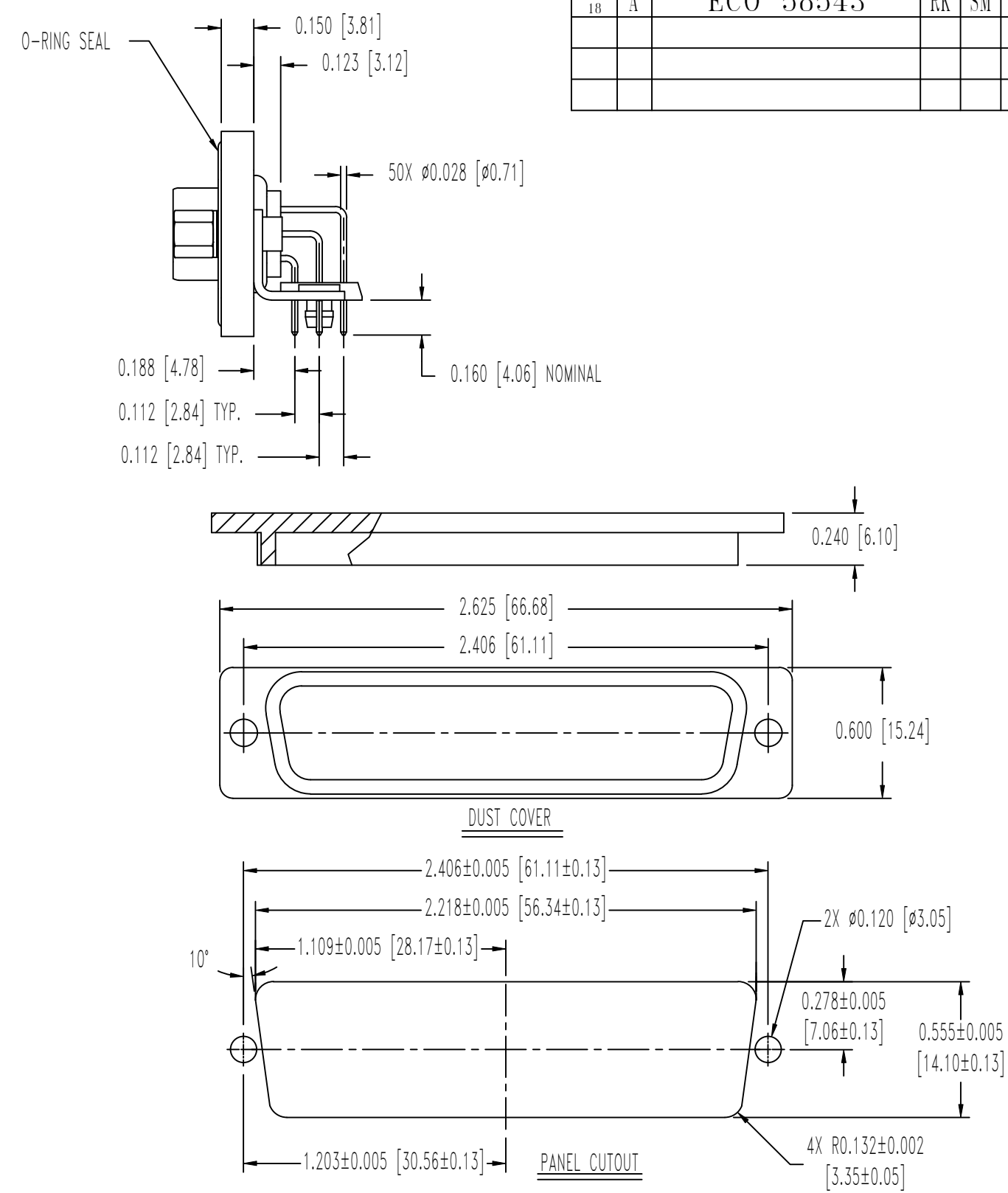
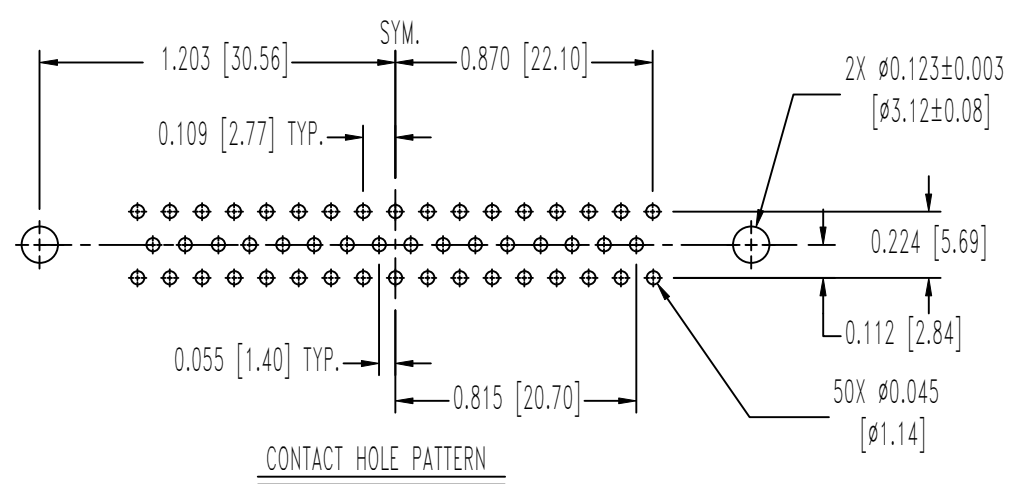
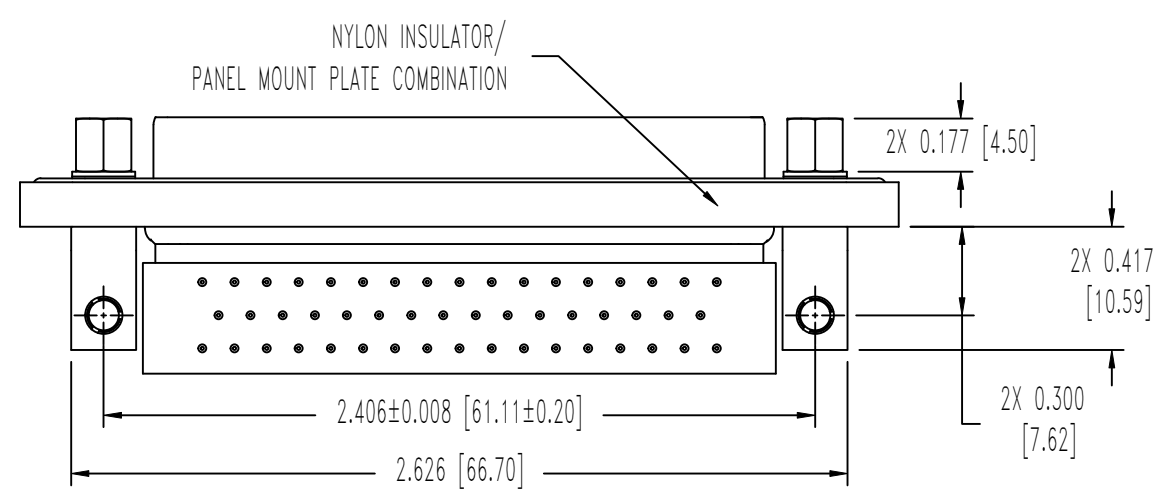
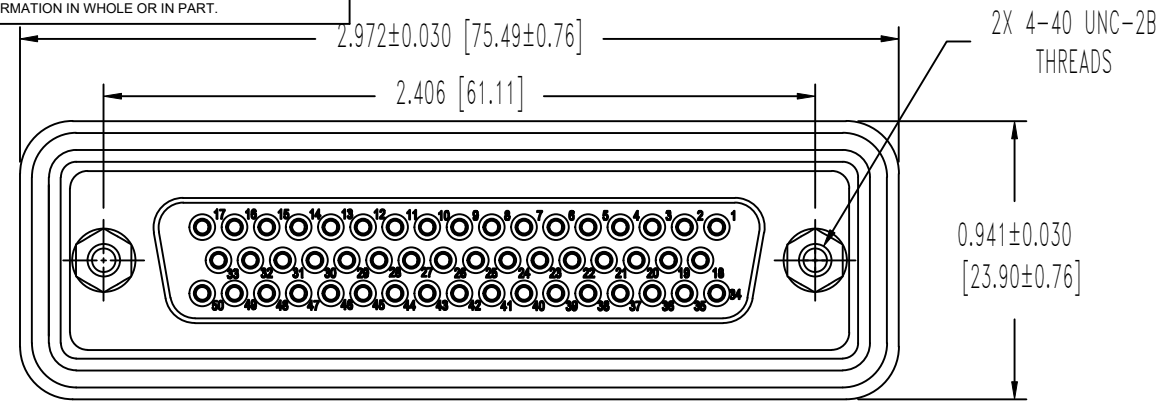


THIS DRAWING CONTAINS INFORMATION PROPRIETARY TO POSITRONIC AND ITS SUBSIDIARIES. POSITRONIC BELIEVES THE DATA ON THIS DRAWING TO BE RELIABLE, SINCE THE TECHNICAL INFORMATION IS GIVEN FREE OF CHARGE, THE USER EMPLOYS SUCH INFORMATION AT HIS OWN DISCRETION AND RISK. POSITRONIC ASSUMES NO RESPONSIBILITY FOR RESULTS OBTAINED OR DAMAGES INCURRED FROM USE OF SUCH INFORMATION IN WHOLE OR IN PART.

DATE	REV	REVISION RECORD	APP	DR	CK
02-14-18	A	ECO 58543	RK	SM	ND



NOTES:

- MATERIALS AND FINISHES:  
 INSULATOR/PANEL MOUNT PLATE: NYLON RESIN, UL 94V-0, COLOR: BLACK.  
 CONTACTS: PRECISION MACHINED COPPER ALLOY, GOLD FLASH OVER NICKEL PLATE.  
 SHELL AND JACKSCREWS: STEEL, ZINC PLATE WITH CHROMATE SEAL.  
 DUST COVER: CONDUCTIVE POLYESTER, COLOR: BLACK.  
 PUSH-ON FASTENERS: BERYLLIUM COPPER, TIN PLATE.  
 MOUNTING BRACKETS, SCREWS AND WASHERS: BRASS, ZINC PLATE WITH CHROMATE SEAL.  
 ALIGNMENT BAR: GLASS FILLED POLYESTER, UL-94V-0, COLOR: BLACK.  
 O-RING: NITRILE, COLOR: BLACK.
- DETAILED PRODUCT, MECHANICAL AND ELECTRICAL INFORMATION IS AVAILABLE IN THE LATEST ENVIRONMENTAL D-SUB PRODUCT PUBLICATION AT CONNECTPOSITRONIC.COM.
- CONNECTORS ARE COMPLIANT TO THE CURRENT ROHS DIRECTIVE.
- DIMENSIONS ARE IN INCHES [MILLIMETERS].



**POSITRONIC INDUSTRIES INC.**  
www.connectpositronic.com

FSCM 28198

 DECIMAL TOL. ± 0.015 [0.38]	WD SERIES	SCALE N.T.S.	DRAWN BY SAGAR M. APPROVED BY RK
ANGULAR TOL. ± 5°	TITLE WD50F5C7AT7U/AA		DATE 02-14-18
DRAWING NUMBER SK22853		REV. A	