

Data Sheet | Item Number: 209-157

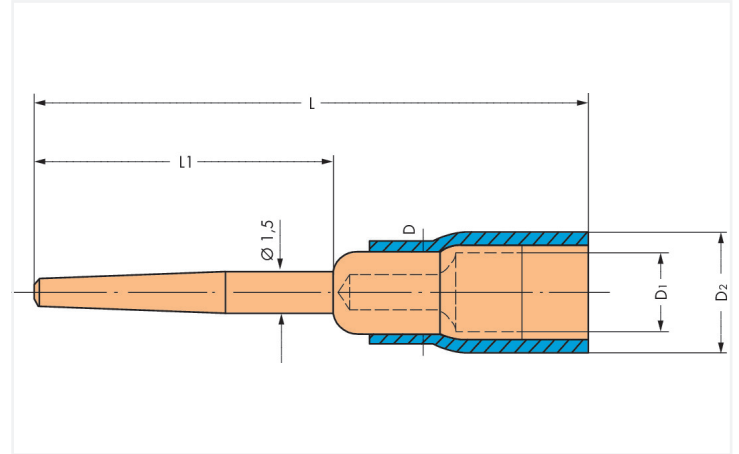
Pin terminals; insulated; suitable for 271 and 272 Series; blue

<https://www.wago.com/209-157>



Color: ■ blue

Similar to illustration



Dimensions in mm

Connection Data

Strip length 5 ... 5.5 mm / 0.2 ... 0.22 inches

Physical data

Length 17.5 mm
Crimp length (length of sleeve) 7.5 mm
Inner diameter of plastic collar 3.8 mm
Diameter crimp sleeve inside 5.5 mm

Material data

Color blue
Weight 1.2 g

Commercial data

Product Group 2 (Terminal Block Accessories)
PU (SPU) 100 pcs
Packaging type Bag
Country of origin PL
GTIN 4044918255684
Customs tariff number 85369010000
End of Sale 2020-09-01
End of Production 2020-09-06
End of Delivery 2020-09-16
End of Service and Repair 2022-09-01



Product Classification

UNSPSC	39121405
eCl@ss 10.0	27-40-02-04
eCl@ss 9.0	27-40-02-04
ETIM 9.0	EC001052
ETIM 10.0	EC001052
ECCN	NO US CLASSIFICATION

Environmental Product Compliance

RoHS Compliance Status	Compliant, No Exemption
------------------------	-------------------------

Downloads

Environmental Product Compliance

Compliance Search

Environmental Product Compliance 209-157	
--	--