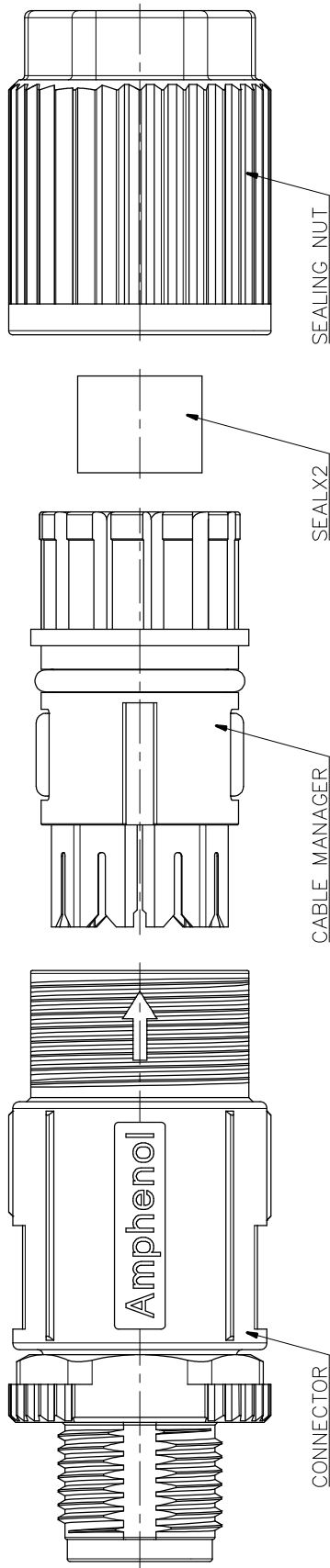
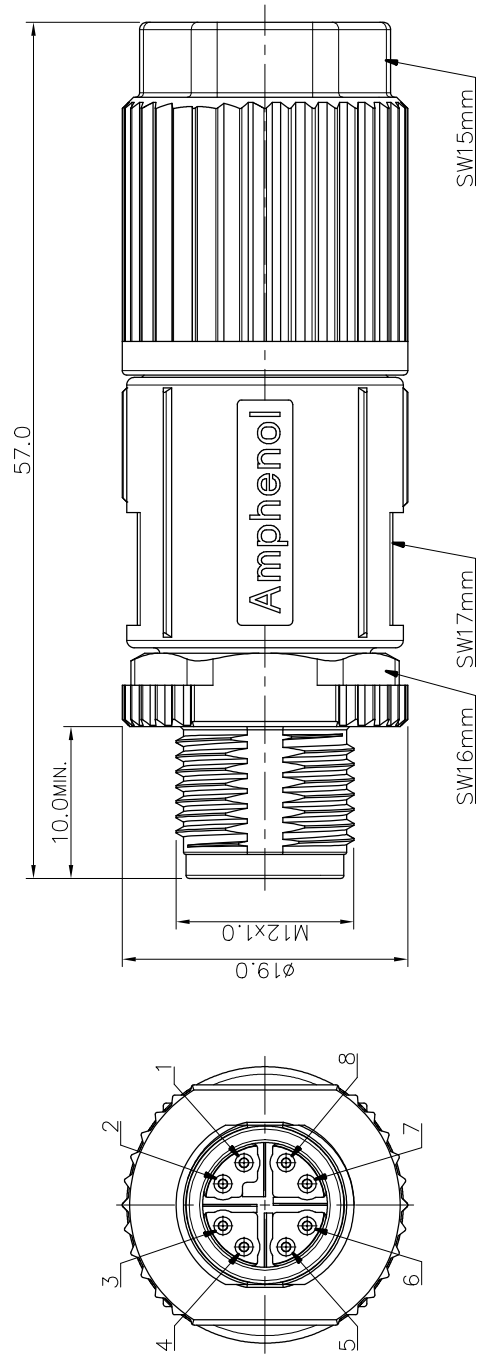


1 2 3 4 5 6 7 8

REV. A DESCRIPTION NEW RELEASE



- \* MATERIAL:  
 Male Pin: Copper Alloy, Gold Plated.  
 Connector: Thermoplastic, Black.  
 Shell & Shield: Metal.  
 O-Ring: Silicon.  
 \* Waterproof Rate: IP68.  
 \* Applicable Cable OD: 5.0mm~9.0mm.  
 \* Applicable Wire Gauge: 22AWG~26AWG.  
 \* Rated Voltage: 50V/AC, 60V/DC.  
 \* Rated Current: 0.5A.  
 \* Temperature Range: -40~85°C.  
 \* Packing: One Piece in a Tray.



UNIT: mm	TITLE	ITEM NO	DRAWN BY	DATE
TOLERANCE	M12 X CODE FIELD INSTALLABLE IDC M CONN.	MSXS-08BMMD-SL8001	Sam Ho	2019.06.03
.X ±0.25	SCALE 2 : 1 SHEET 1 OF 1	DWG NO	CHECKED BY	DATE
.XX ±0.1	REV. A SIZE A4	MSXS-08BMMD-SL8001	Fred Lee	2019.06.03
.XXX ±0.05	@@: Inspection Item	CUSTOMER	APPROVED BY	DATE
ANGLES ±1°		AL TW	Fred Lee	2019.06.03
				8 W0814-03- 安福01A2

# Amphenol LTW

安費諾亮泰企業股份有限公司