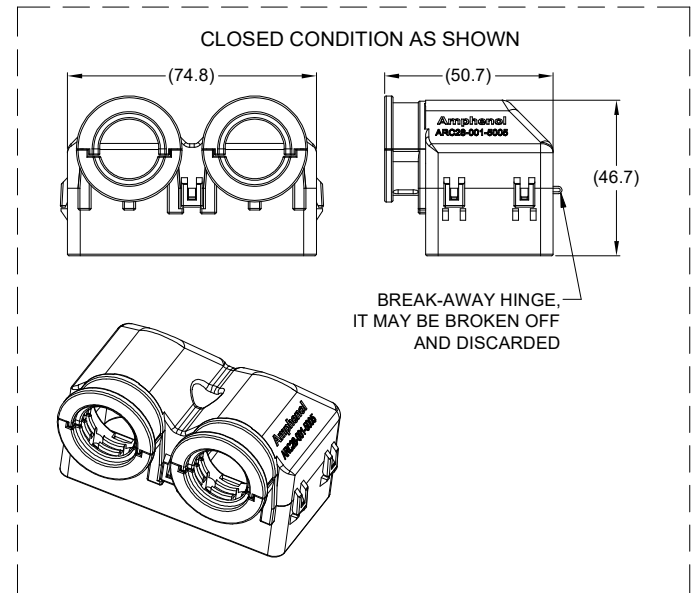
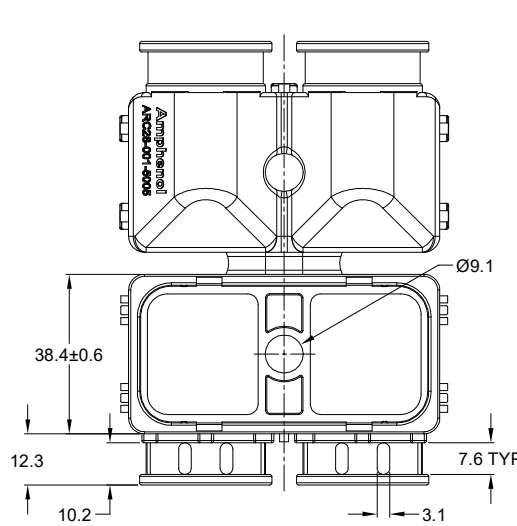
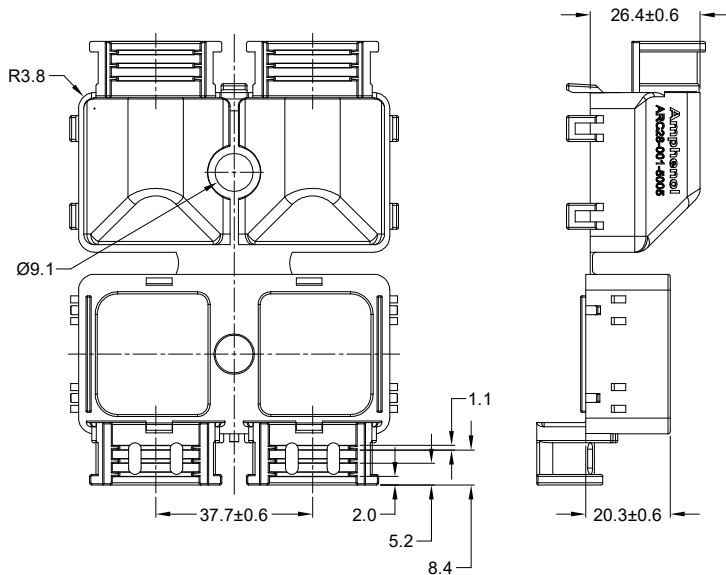
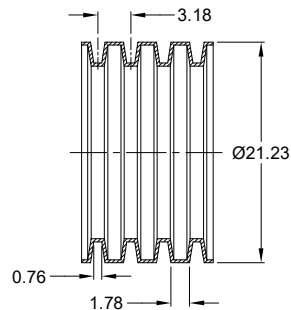


REVISIONS					
REV	ECO	DESCRIPTION	DATE	BY	APPR
A1	-	RELEASE DRAWING	28/JUL/25	KELIN	TOMMY



NOTES: UNLESS OTHERWISE SPECIFIED

1. MATERIAL: THERMOPLASTIC; COLOR: BLACK.
2. THIS PART SNAPS ONTO ARC26-50S* (*= 01,02,03,....,10).
3. RECOMMENDED CONVOLUTE TUBING DIMENSIONS ARE FOR REFERENCE ONLY,CUSTOMER SUPPLIED.
4. RoHS COMPLIANT
5. ALL DIMENSIONS ARE FOR REFERENCE USE ONLY.



3 CONVOLUTE TUBING DIMENSIONS REFERENCE

QUANTITY	ARC28-001-5005	REF:0528-001-5005	DESCRIPTION	ITEM
	PART NUMBER			
MATERIALS LIST				
UNLESS OTHERWISE SPECIFIED 1) All dimensions are in metric(mm). 2) Tolerances are as follows: 1 PL DEC ±0.30 Fractions ±1/64 2 PL DEC ±0.15 Angles ±1° 3 PL DEC ±0.08 3) Note reference =		SIGNATURES DRAWN: KELIN 28/JUL/25 CHECKED: SULLEN 28/JUL/25 ENGINEER: APPROVAL: TOMMY 30/JUL/25		 Sine Systems - www.amphenol-sine.com 44724 Morley Drive Clinton Township, MI 48036
MATERIAL SPECIFICATIONS: WEIGHT:35.5g		CUSTOMER: THIS DRAWING IS SUPPLIED FOR INFORMATION ONLY. DESIGN FEATURES, SPECIFICATIONS AND PERFORMANCE DATA SHOWN HEREON ARE THE PROPERTY OF THE AMPHENOL CORPORATION. NO RIGHTS OF REPRODUCTION ARE IMPLIED. ALL DIMENSIONS ARE SUBJECT TO NORMAL MANUFACTURING VARIATIONS.		
PROCESS SPECIFICATIONS: NEXT ASSY:		CUSTOMER: THIS DRAWING IS SUPPLIED FOR INFORMATION ONLY. DESIGN FEATURES, SPECIFICATIONS AND PERFORMANCE DATA SHOWN HEREON ARE THE PROPERTY OF THE AMPHENOL CORPORATION. NO RIGHTS OF REPRODUCTION ARE IMPLIED. ALL DIMENSIONS ARE SUBJECT TO NORMAL MANUFACTURING VARIATIONS.		90° BACKSHELL FOR 50 PIN PLUG, BLACK, SIZE 20 CNT, ARC SERIES, BLACK
		SIZE: B C- TYPE: C- DWG NO: ARC28-001-5005 REVISION: A1 SCALE: NONE SHEET 1 OF 1		

TITLE: 90° BACKSHELL FOR 50 PIN PLUG, SIZE 20 CNT, ARC SERIES, BLACK DWG NO: ARC28-001-5005 REV: A1 SH: 1 OF: 1