

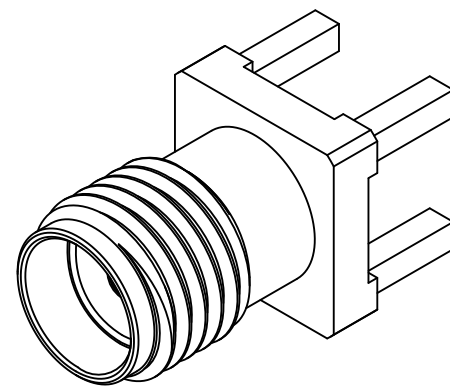
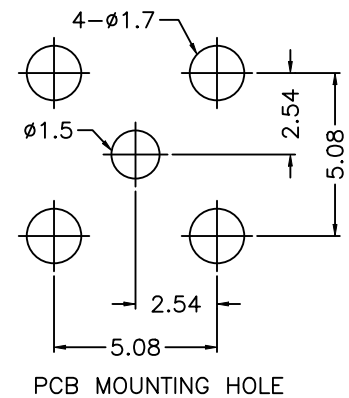
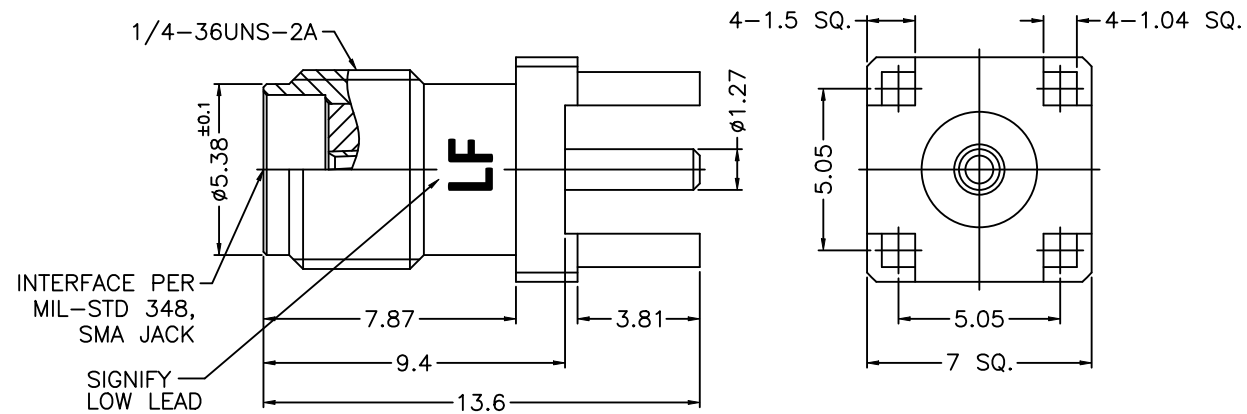
REVISIONS					
P	LTR	DESCRIPTION	DATE	DWN	APVD
A		GTP PER ECN-25-338513	17AUG2025	ED	WZ

MATERIALS AND PLATING		UNIT: MICRO-INCHES
PART NAME	MATERIAL	PLATING
BODY	LOW LEAD BRASS	GOLD 3u*/NICKEL 50u*/COPPER 50u*
CONTACT PIN	LOW LEAD BeCu	GOLD 3u*/NICKEL 50u*/COPPER 50u*
INSULATOR	PTFE ASTM-D-1710	NATURAL

ELECTRICAL CHARACTERISTICS	
IMPEDANCE	50 Ω
VOLTAGE RATING	335 V(rms)
FREQUENCY RANGE	DC~18 GHz
DIELECTRIC WITHSTANDING VOLTAGE	>1000 V
CONTACT RESISTANCE	CENTER CONTACT <3.0 mΩ
	OUTER CONTACT <2.0 mΩ
INSULATION RESISTANCE	>5000 MΩ
INSERTION LOSS	0.25dB MAX
VSWR	<1.20
3RD INTERMODULATION	N/A

MECHANICAL CHARACTERISTICS	
DURABILITY	> 500 cycles

ENVIRONMENTAL PARAMETER	
TEMPERATURE RANGE	-65 °C~+165 °C
WATERPROOF	/
THERMAL SHOCK	MIL- STD 202, Meth. 107,Cond. B
VIBRATION	MIL- STD 202, Meth. 204,Cond. D
SHOCK	MIL- STD 202, Meth. 213,Cond. I
CORROSION	MIL- STD 202, Meth. 101,Cond. B



NOTES:
 1 TRAY PACKAGING AND DETAIL PACKAGING SPEC IS PAGE 2;
 2 ALL DIMENSIONS ARE NOMINAL FOR REFERENCE ONLY UNLESS OTHERWISE STATED.

THIS DRAWING IS A CONTROLLED DOCUMENT.		DWN ED	16JUN2025	TE Connectivity NAME SMA Jack Str Thru Hole Lead Free 18 GHz PRODUCT SPEC APPLICATION SPEC SIZE CAGE CODE DRAWING NO RESTRICTED TO
DIMENSIONS: mm		CHK TP	16JUN2025	
TOLERANCES UNLESS OTHERWISE SPECIFIED:		APVD WH	16JUN2025	
0 PLC ± 0.3 1 PLC ± 0.3 2 PLC ± 0.2 3 PLC ± 0.1 4 PLC ± 0.1 ANGLES ± 5°		PRODUCT SPEC		
MATERIAL	FINISH	WEIGHT	A300779	C=2508799
CUSTOMER DRAWING			SCALE 1:1	SHEET 1 of 2
			REV A	

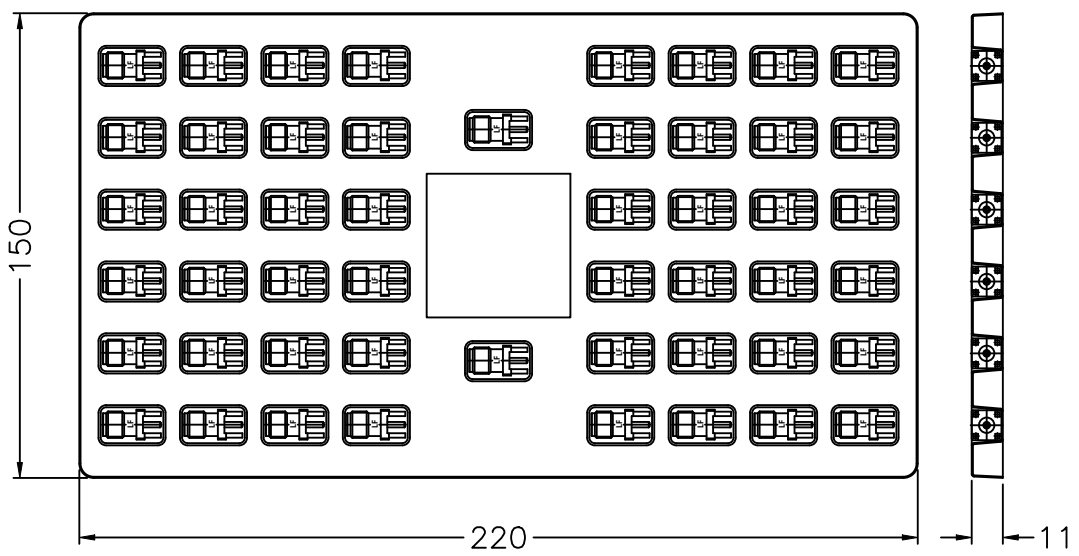
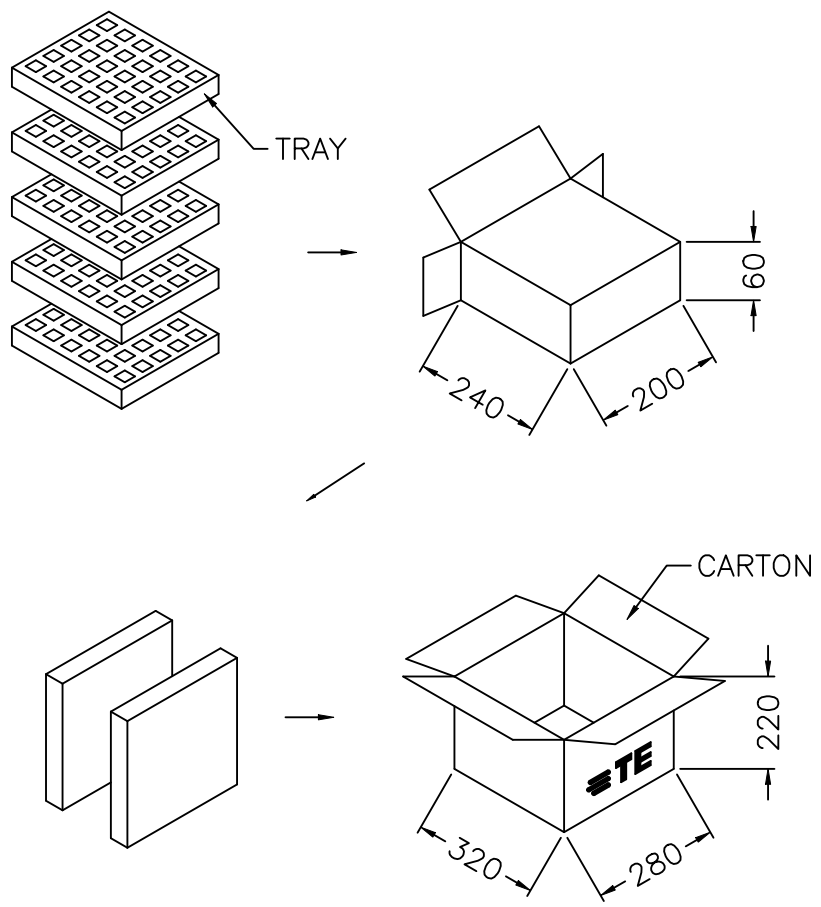
REVISIONS

TRAY PACKAGING

P	LTR	DESCRIPTION	DATE	DWN	APVD
-	-	SEE SHEET 1	-	-	-

UNLESS OTHERWISE SPECIFIED TOLERANCES

- 0.5-6 = ±0.2
- 6-30 = ±0.4
- 30-120 = ±0.6
- 120-315 = ±1
- 315-1000 = ±1.6
- 1000-2000 = ±2.4



THIS DRAWING IS A CONTROLLED DOCUMENT.		DWN ED	16JUN2025	STE TE Connectivity	
		CHK TP	16JUN2025		
		APVD WH	16JUN2025	NAME	
		PRODUCT SPEC		SMA Jack Str Thru Hole Lead Free 18 GHz	
		APPLICATION SPEC		-	
		-		SIZE	RESTRICTED TO
		WEIGHT		A3	-
		CUSTOMER DRAWING		CAGE CODE	DRAWING NO
		-		00779	C=2508799
		SCALE		SHEET	REV
		1:1		2 of 2	A

DIMENSIONS:	TOLERANCES UNLESS OTHERWISE SPECIFIED:
mm	
	0 PLC ± 0.3
	1 PLC ± 0.3
	2 PLC ± 0.2
	3 PLC ± 0.1
	4 PLC ± - ± 5'
MATERIAL	FINISH
-	-