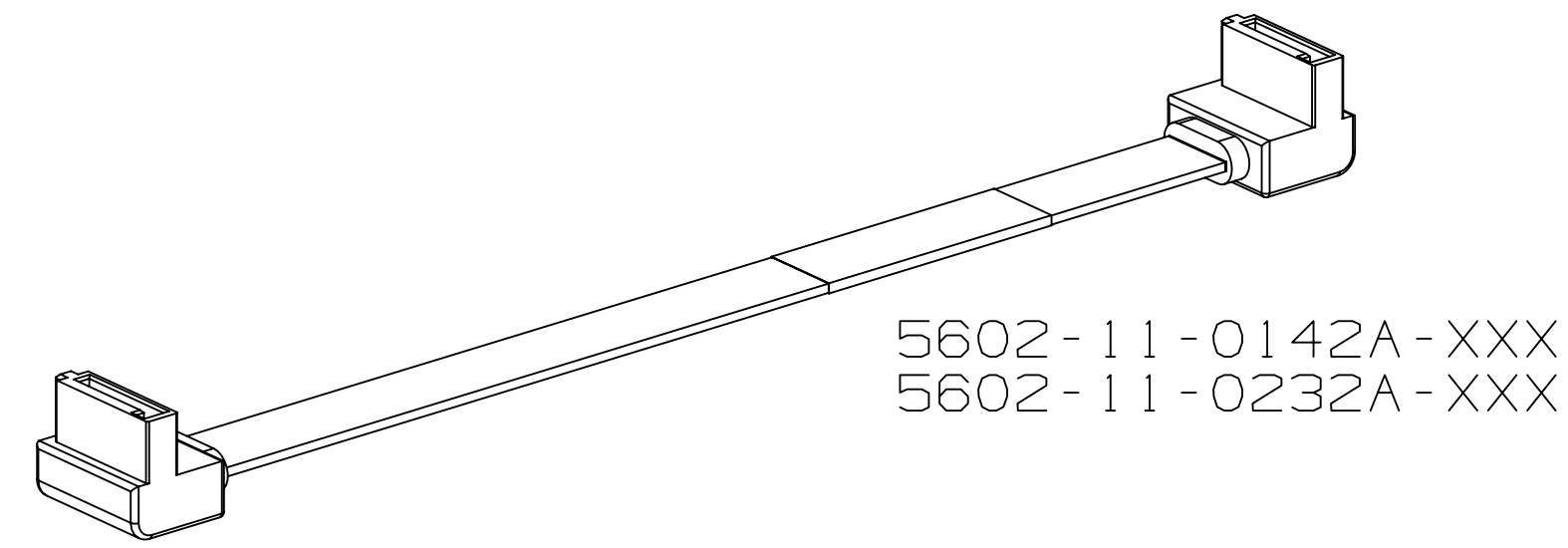
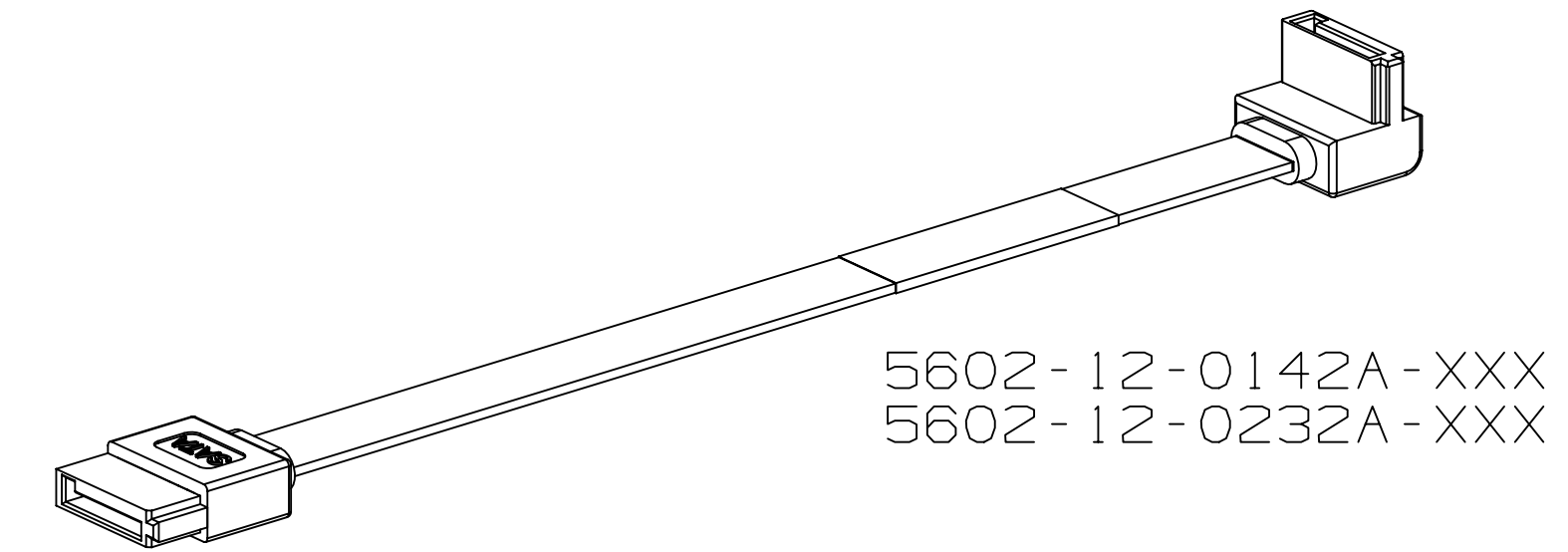


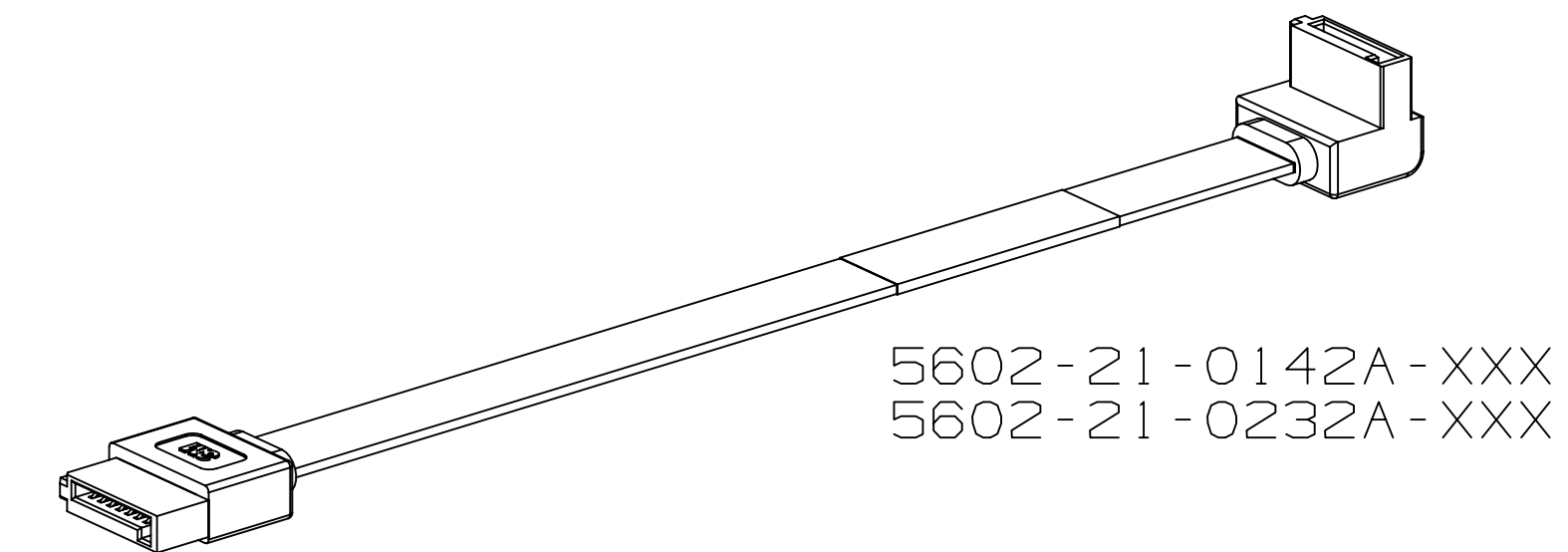
3M™ HIGH ROUTABILITY INTERNAL SATA CABLE ASSEMBLY, 5602 SERIES
 7 PIN TWINAX CABLE ASSEMBLY, STRAIGHT AND RIGHT ANGLE, WITH AND WITHOUT LATCH, WITH AND WITHOUT JACKET



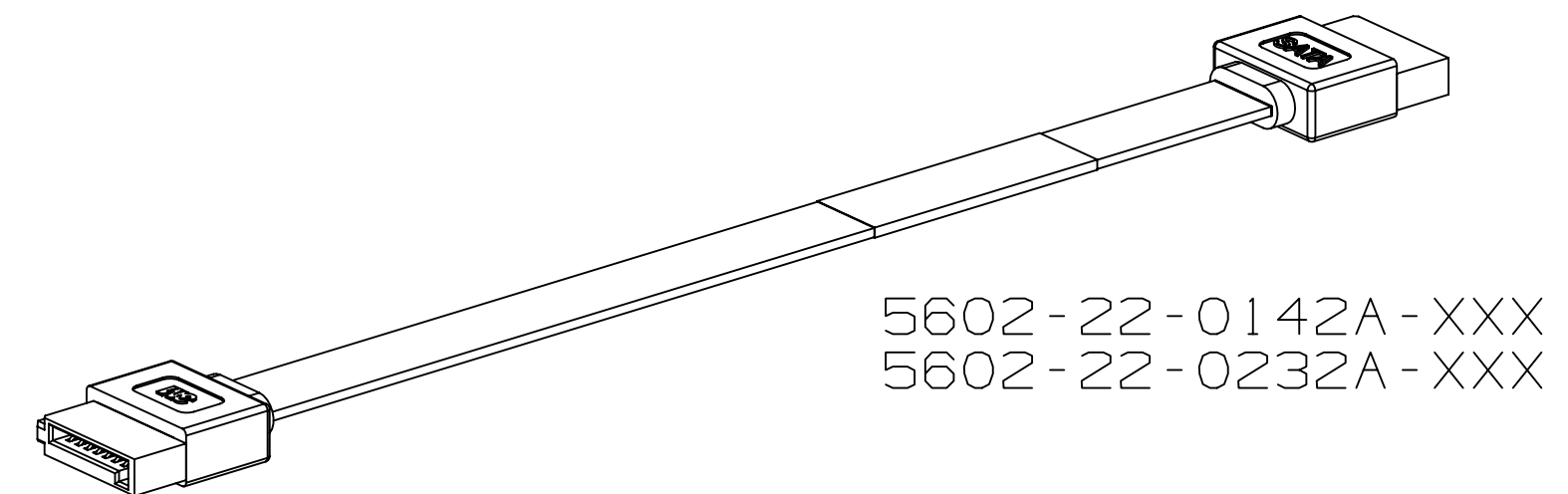
5602-11-0142A-XXX
 5602-11-0232A-XXX



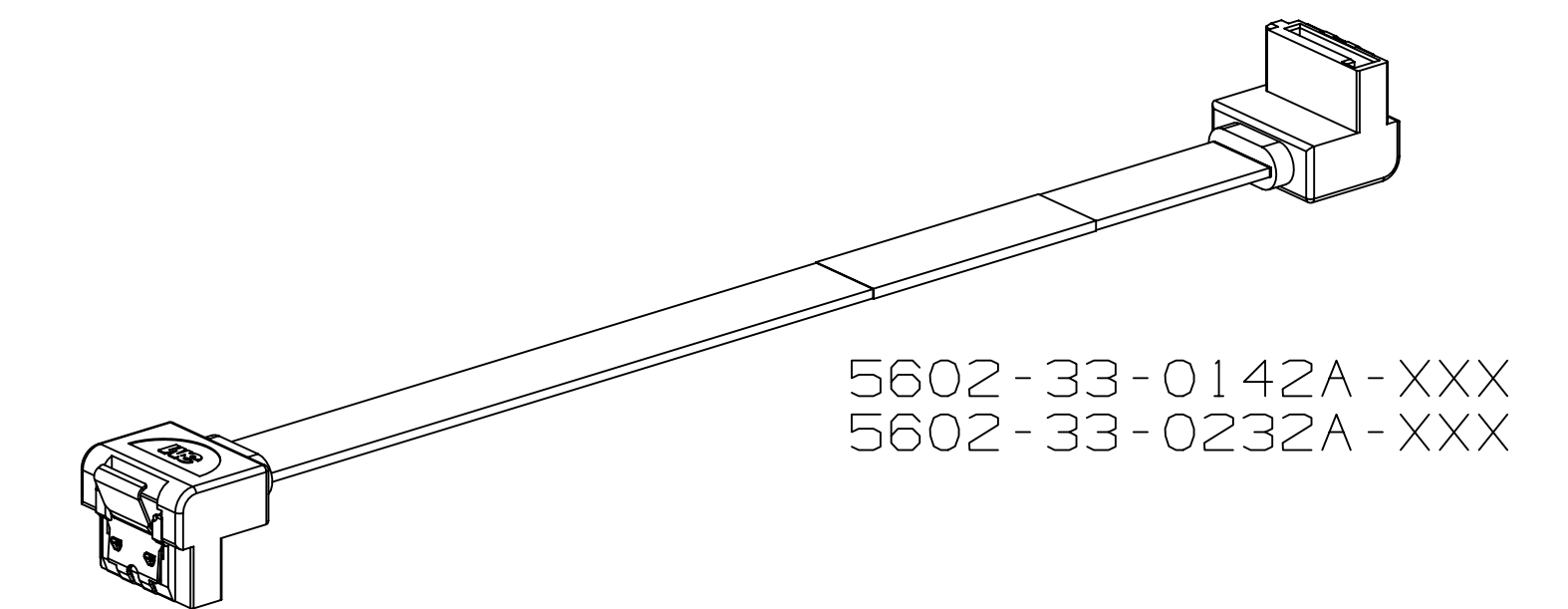
5602-12-0142A-XXX
 5602-12-0232A-XXX



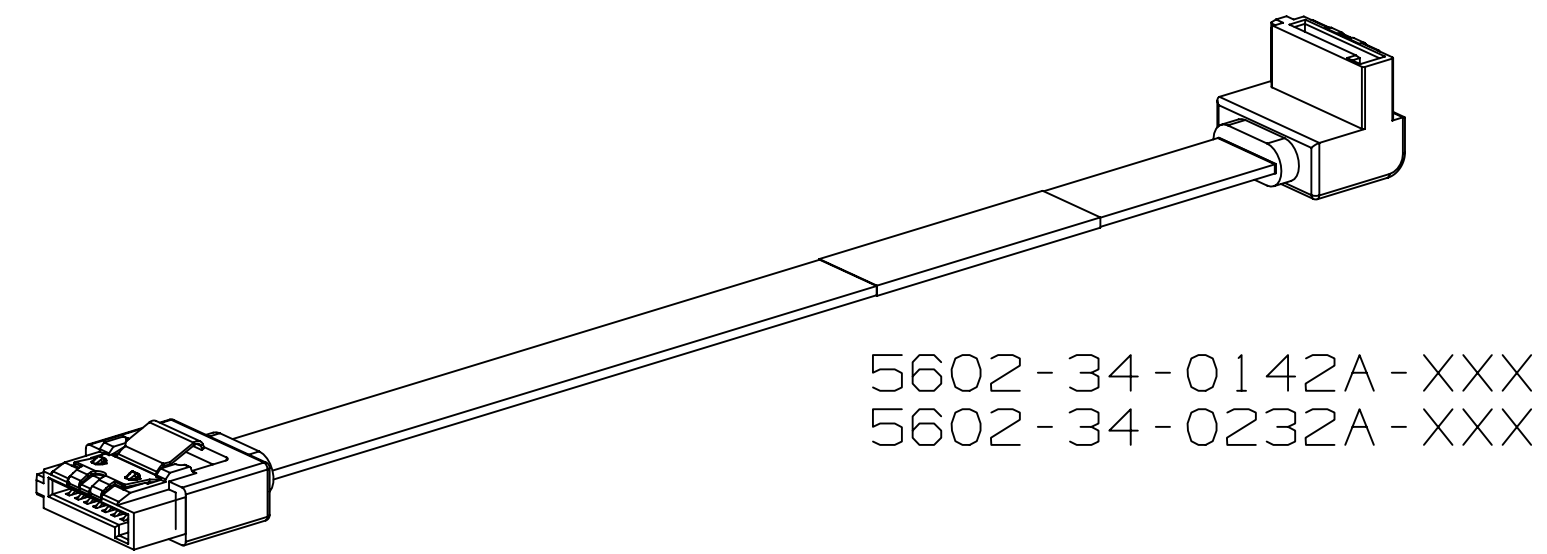
5602-21-0142A-XXX
 5602-21-0232A-XXX



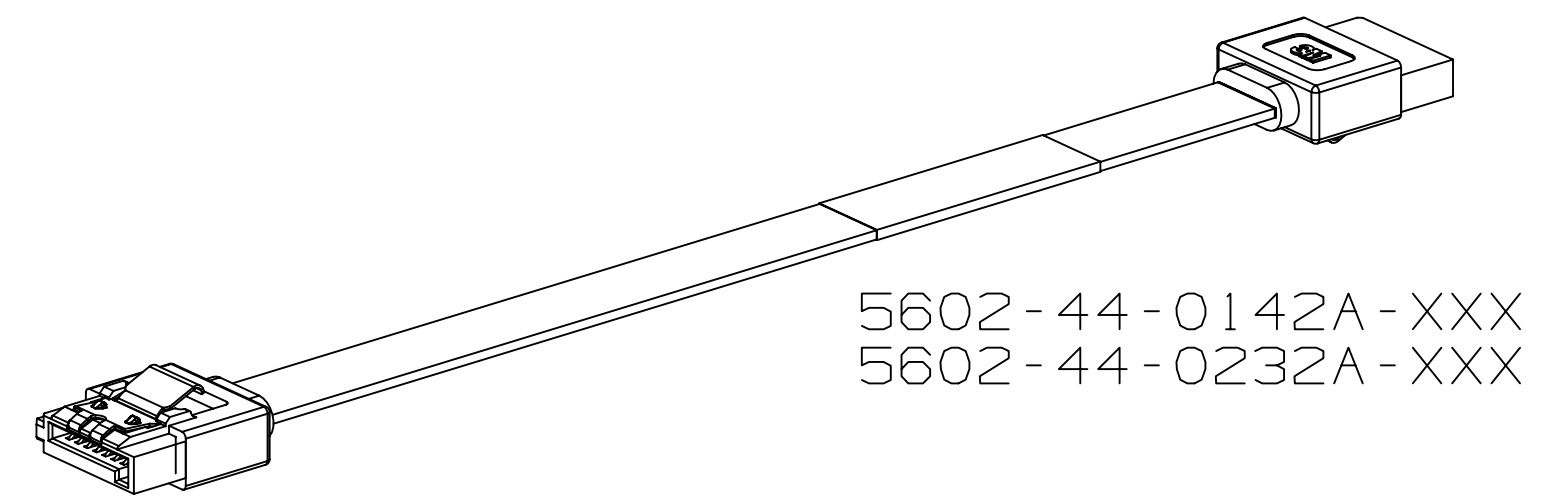
5602-22-0142A-XXX
 5602-22-0232A-XXX



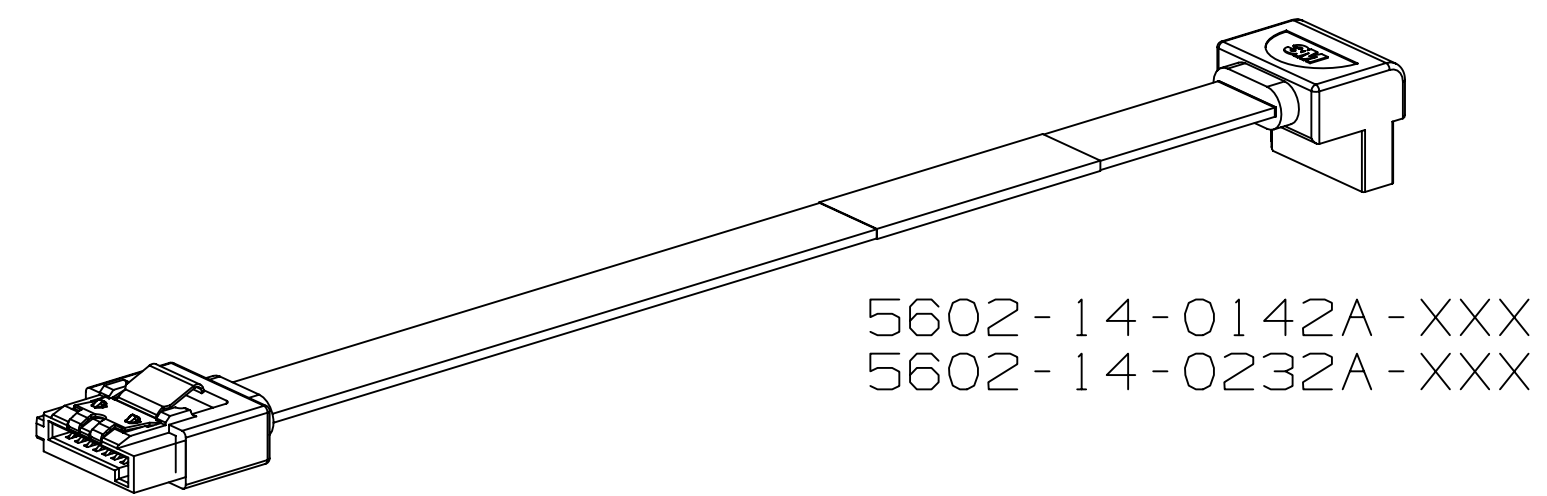
5602-33-0142A-XXX
 5602-33-0232A-XXX



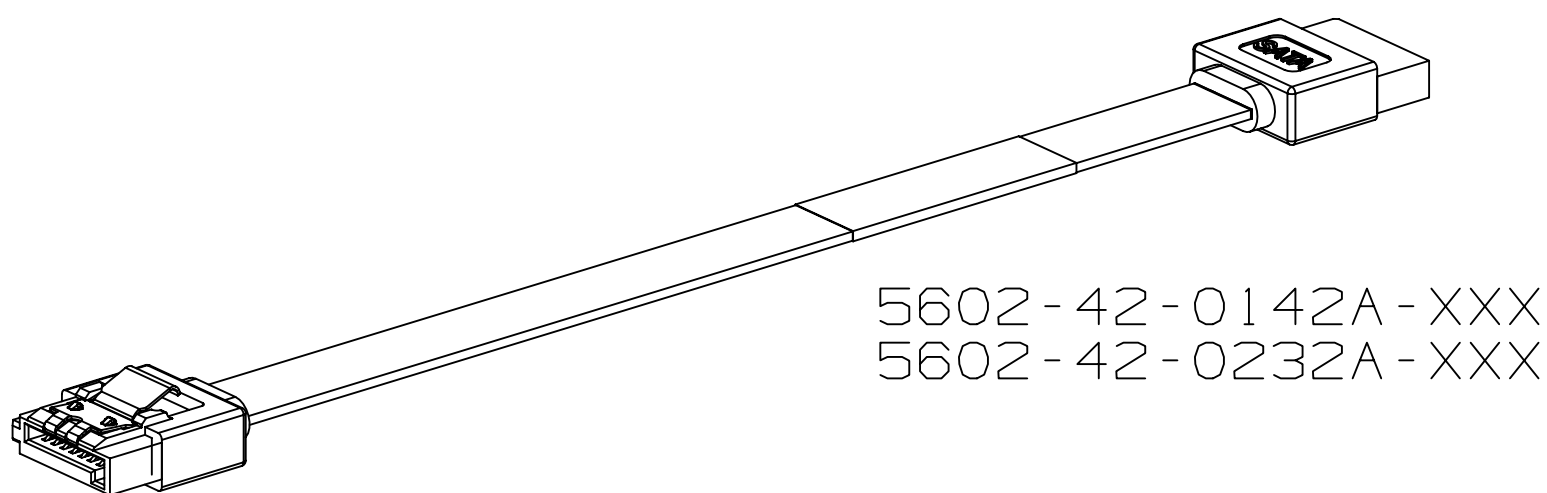
5602-34-0142A-XXX
 5602-34-0232A-XXX



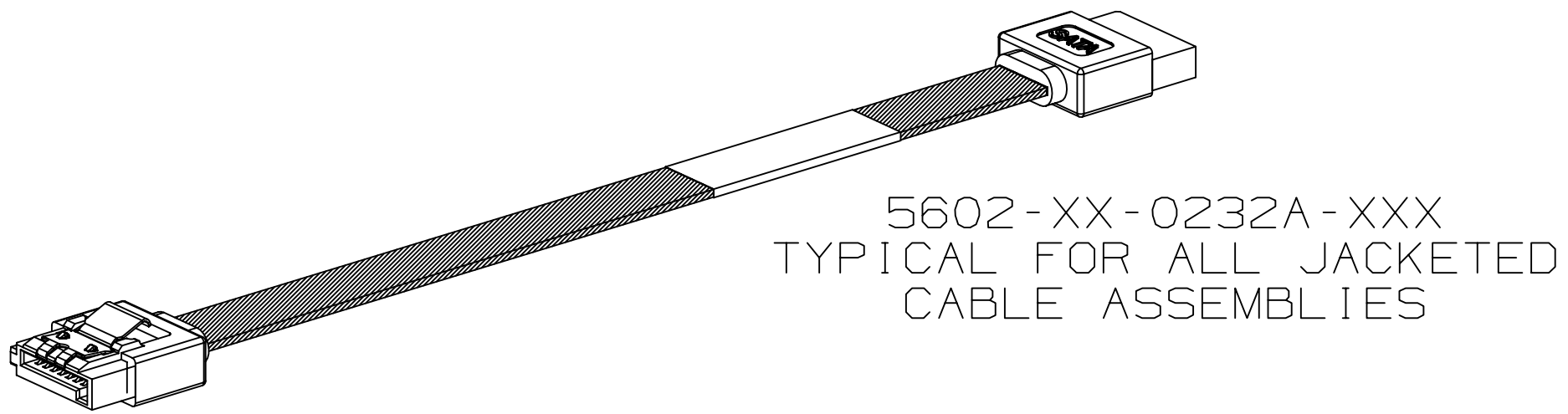
5602-44-0142A-XXX
 5602-44-0232A-XXX



5602-14-0142A-XXX
 5602-14-0232A-XXX



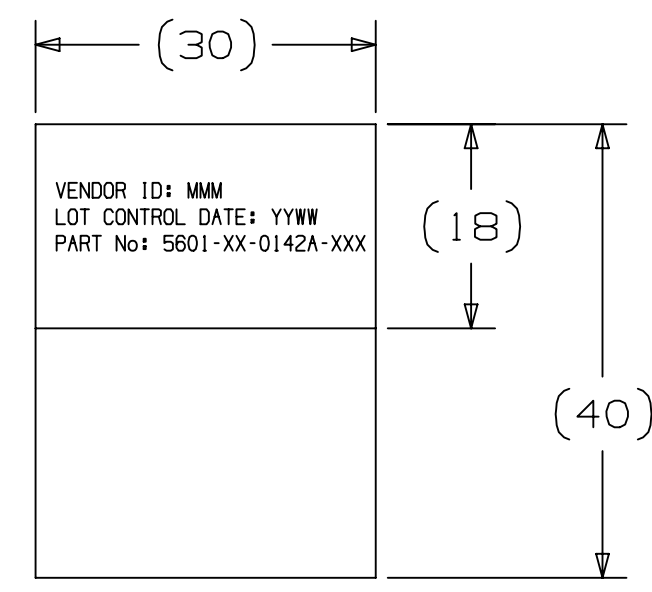
5602-42-0142A-XXX
 5602-42-0232A-XXX



5602-XX-0232A-XXX
 TYPICAL FOR ALL JACKETED
 CABLE ASSEMBLIES

PIN OUT, TYPICAL

P1	TYPE	TYPE	P2
1	G	G	1
2	A+	A+	2
3	A-	A-	3
4	G	G	4
5	B-	B-	5
6	B+	B+	6
7	G	G	7



LABEL
 (TYPICAL DIMENSIONS)

- NOTES
- REGULATORY INFORMATION: VISIT 3M.com/regs
 - FOR CUSTOM CABLE LENGTH, CONTACT 3M SALES REP.
 - NO JACKET CABLE PART NUMBER: SL8803/04-10DN5-00. JACKETED CABLE PART NUMBER: SL90T1-1QN-BNSP.
 - PRODUCT SPECIFICATION: PS-0117.
 - PVC OVERMOLDING AND PE INNER MOLDING AT BOTH ENDS.
 - PRODUCT MEETS SATA 3.0 SIGNAL INTEGRITY SPECIFICATIONS.
 - LENGTH TOLERANCE: ±5 MM FOR LENGTHS LESS THAN 0.5 M. ±10 MM FOR LENGTHS 0.5 TO 1.0 M.
 - UNLESS OTHERWISE NOTED, REFERENCES TO INDUSTRY SPECIFICATIONS ARE INTENDED TO INDICATE SUBSTANTIAL COMPLIANCE TO THE MATERIAL ELEMENTS OF THE SPECIFICATION. SUCH REFERENCES SHOULD NOT BE CONSTRUED AS A GUARANTEE OF COMPLIANCE TO ALL REQUIREMENTS IN A GIVEN SPECIFICATION.
 - NO JACKET VERSION 0142A: THIS CABLE CONSTRUCTION HAS A THIN ALUMINUM LAYER AT EACH EDGE. USER SHOULD EVALUATE ITS USE IN THEIR APPLICATION AND, IF NECESSARY, INSULATING TAPE MAY BE APPLIED TO COVER THE ALUMINUM LAYER, AS USER DEEMS APPROPRIATE. JACKETED VERSION 0232A COVERS THIS EDGE.
 - NO JACKET CABLE:
 - * RIBBON TWINAX, SL8803/04.
 - * UL: AWM 2100B.
 - * VOLTAGE RATING: 150V.
 - * TEMPERATURE RATING: 80C°.
 - * SIGNAL WIRES: 30 AWG SILVER PLATED COPPER.
 CABLE, PVC JACKETED:
 - * RIBBON TWINAX, SL90T1-1QN-BNSP.
 - * 1.2MM THICKNESS.
 - * UL: AWM 2100B.
 - * VOLTAGE RATING: 150V.
 - * TEMPERATURE RATING: 80C°.
 - * SIGNAL WIRES: 30 AWG SILVER PLATED COPPER.
 - SATA CONNECTORS:
 - * 7 PIN FEMALE, STRAIGHT OR RIGHT ANGLE.
 - * COLOR: BLACK, GLASS FILLED PBT.
 - * PLATING: 15µ" AU.

REV	ECO	ISSUE DATE AND DESCRIPTION	DRFT	CHKD
G	127848	DEC 16, 2025 REVISE LOGO AND LABEL	JNC	MML
F	124281	JUN 25, 2025 ADD JACKETED CABLE	JNC	MML
E	114747	MAY 13, 2024 REVISE AND REDRAWN	JNC	MML
D	47119	APR 09, 2013 ADD SHEET 8 & 9	RV	RV
C	43801	DEC 31, 2012 CABLE P/N CHANGE	RV	RV
B	42030	JUL 07, 2012 REVISED DRAWING	RV	RV
A	37492	SEP 05, 2011 REVISED DRAWING	RV	RV

DESIGN REFERENCE NEXT ASSEMBLY

DO NOT SCALE DRAWING

THIRD ANGLE PROJECTION

MAX. SURFACE ROUGHNESS

SCALE

TOLERANCES EXCEPT AS NOTED

INCHES

MILLIMETERS

INTERPRET PER ASME Y14.5 - 2018

MARKED ONLY

3M

© 3M COPYRIGHT 2025

St. Paul, MN 55144

3M property and may not be reproduced or further distributed without 3M permission, or used or disclosed other than for 3M authorized purposes. All rights reserved.

TITLE: HIGH ROUTABILITY INTERNAL SATA CABLE ASSEMBLY

CAGE NUMBER: D78-5100-4897-4

SIZE: 1515

DRAWING NO. 78-5100-4897-4

REV. G

MODEL

1 OF 7

3M™ Display and Electronics Product Platform, (DEPP)
 Transportation and Electronics Business Group (TEBG)
<http://www.3M.com/interconnect>

3M IS A TRADEMARK OF 3M COMPANY.
 FOR TECHNICAL, SALES OR ORDERING
 INFORMATION CALL 800-225-5373

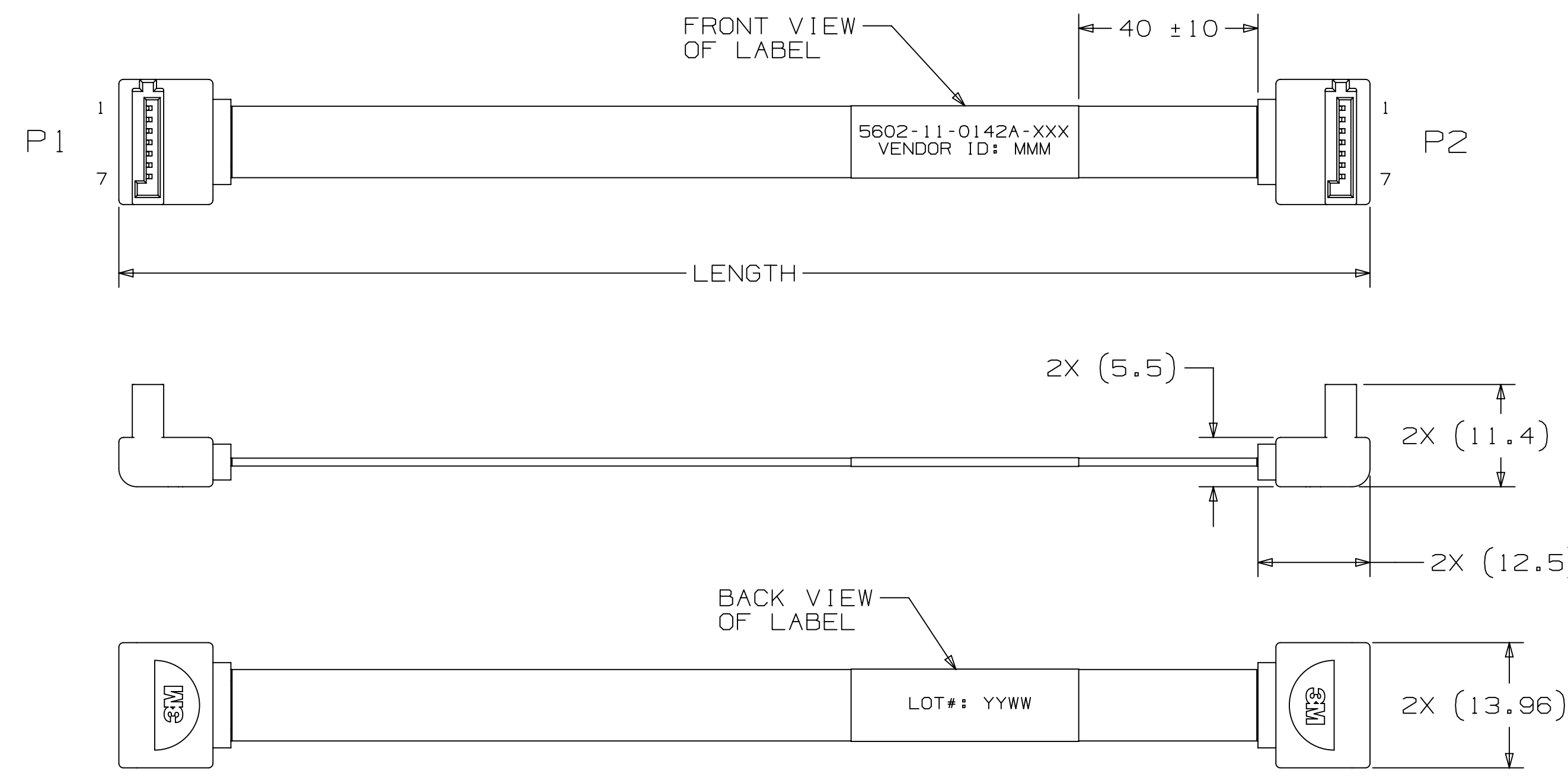
78-5100-4897-4
 DRAWING NUMBER

G
 REVISION

SHT 1 OF 7

3M™ HIGH ROUTABILITY INTERNAL SATA CABLE ASSEMBLY, 5602 SERIES
7 PIN TWINAX CABLE ASSEMBLY, STRAIGHT AND RIGHT ANGLE, WITH AND WITHOUT LATCH, WITH AND WITHOUT JACKET

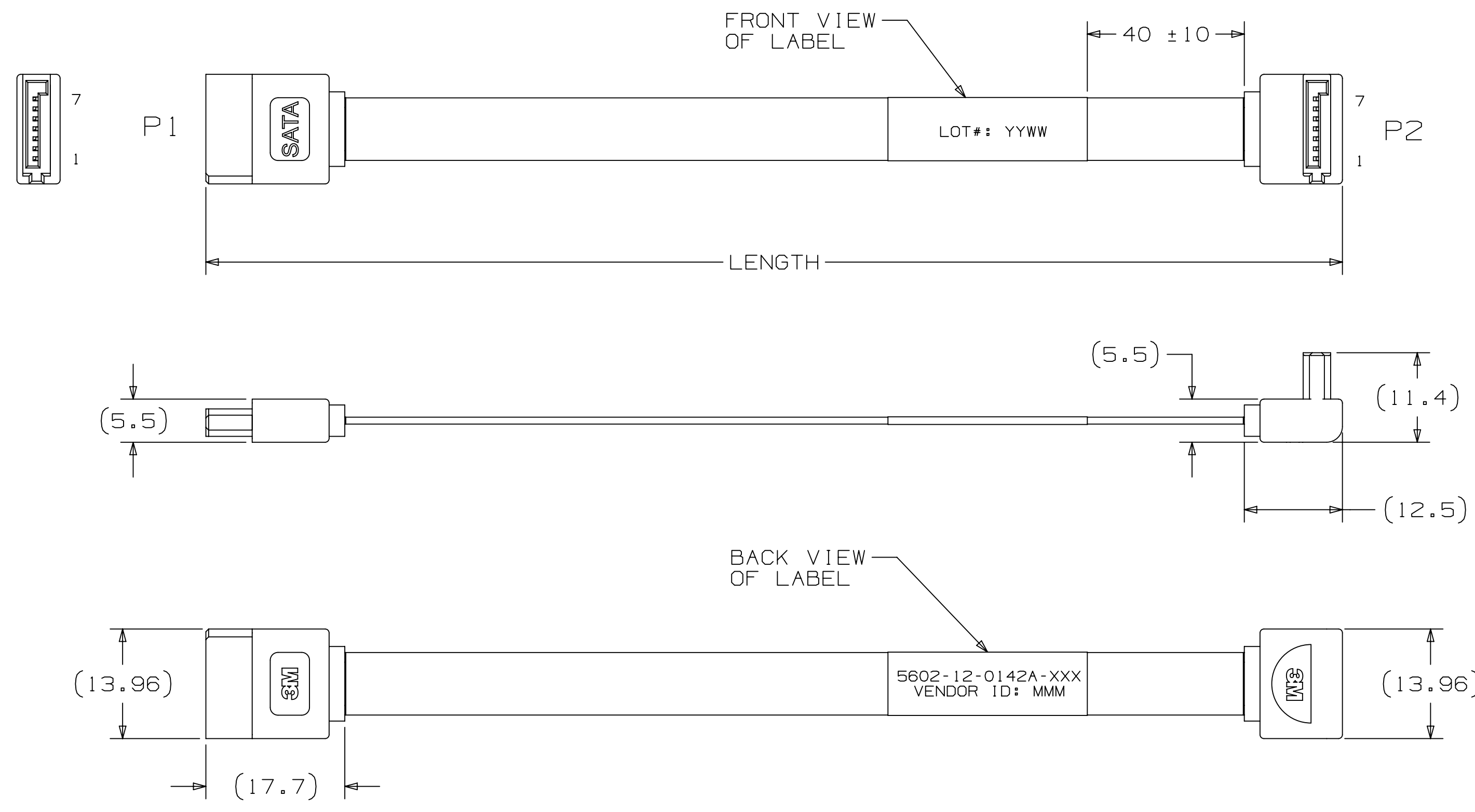
1. REFER TO SHEET 1 FOR NOTES.



3M PART NUMBER		LENGTH (MM) SEE NOTE 7
NO JACKET VERSION	JACKETED VERSION	
5602-11-0142A-100	5602-11-0232A-100	100
5602-11-0142A-200	5602-11-0232A-200	200
5602-11-0142A-300	5602-11-0232A-300	300
5602-11-0142A-400	5602-11-0232A-400	400
5602-11-0142A-500	5602-11-0232A-500	500
5602-11-0142A-600	5602-11-0232A-600	600
5602-11-0142A-700	5602-11-0232A-700	700
5602-11-0142A-800	5602-11-0232A-800	800
5602-11-0142A-900	5602-11-0232A-900	900
5602-11-0142A-1000	5602-11-0232A-1000	1000

RIGHT ANGLE TO RIGHT ANGLE
WITHOUT LATCHES
ORDERING INFORMATION
5602-11-0XX2A-XXX

14 = NO JACKET VERSION
23 = JACKETED VERSION
LENGTH IN MM,
XXX REFERS TO 1000mm.



3M PART NUMBER		LENGTH (MM) SEE NOTE 7
NO JACKET VERSION	JACKETED VERSION	
5602-12-0142A-100	5602-12-0232A-100	100
5602-12-0142A-200	5602-12-0232A-200	200
5602-12-0142A-300	5602-12-0232A-300	300
5602-12-0142A-400	5602-12-0232A-400	400
5602-12-0142A-500	5602-12-0232A-500	500
5602-12-0142A-600	5602-12-0232A-600	600
5602-12-0142A-700	5602-12-0232A-700	700
5602-12-0142A-800	5602-12-0232A-800	800
5602-12-0142A-900	5602-12-0232A-900	900
5602-12-0142A-1000	5602-12-0232A-1000	1000

STRAIGHT TO RIGHT ANGLE
WITHOUT LATCHES
ORDERING INFORMATION
5602-12-0XX2A-XXX

14 = NO JACKET VERSION
23 = JACKETED VERSION
LENGTH IN MM,
XXX REFERS TO 1000mm.

REV	ECO	ISSUE DATE AND DESCRIPTION	DRFT	CHKD
G	127848	DEC 16, 2025 REVISE LOGO AND LABEL	JNC	MML
F	124281	JUN 25, 2025 ADD JACKETED CABLE	JNC	MML
E	114747	MAY 13, 2024 REVISE AND REDRAWN	JNC	MML
D	47119	APR 09, 2013 ADD SHEET 8 & 9	RV	RV
C	43801	DEC 31, 2012 CABLE P/N CHANGE	RV	RV
B	42030	JUL 07, 2012 REVISED DRAWING	RV	RV
A	37492	SEP 05, 2011 REVISED DRAWING	RV	RV

DESIGN REFERENCE	NEXT ASSEMBLY	REV	ECO	ISSUE DATE AND DESCRIPTION	DRFT	CHKD
RAO VITTAPALLI	RAO VITTAPALLI	RAO VITTAPALLI	RAO VITTAPALLI	JUL 02, 2016	MFG	DATE
RAO VITTAPALLI	RAO VITTAPALLI	RAO VITTAPALLI	RAO VITTAPALLI	JUL 02, 2016	APPR	DATE
RAO VITTAPALLI	RAO VITTAPALLI	RAO VITTAPALLI	RAO VITTAPALLI	JUL 02, 2016	SAJJIT BANDHU	DATE
DIVISION		DIVISION CODE		DEPP		
DO NOT SCALE DRAWING		SCALE		TOLERANCES EXCEPT AS NOTED		
THIRD ANGLE PROJECTION		INCHES		MILLIMETERS		
INTERPRET PER ASME Y14.5 - 2018		.00 ±		0 ±		
MAX SURFACE ROUGHNESS		.00 ±		.00 ±		
ALL SURFACES		.00 ±		.00 ±		
MARKED ONLY		ANGLES		ANGLES		
3M Center St. Paul, MN 55144		© 3M COPYRIGHT 2025		This document and the information it contains are 3M property and may not be reproduced or further distributed without 3M permission, or used or disclosed other than for 3M authorized purposes. All rights reserved.		
TITLE		HIGH ROUTABILITY INTERNAL SATA CABLE ASSEMBLY				
CAGE NUMBER	SIZE	DRAWING NO.	REV.			
D		78-5100-4897-4	G			
MODEL	DET	ISTS	YES	NO	SHT 2 OF 7	

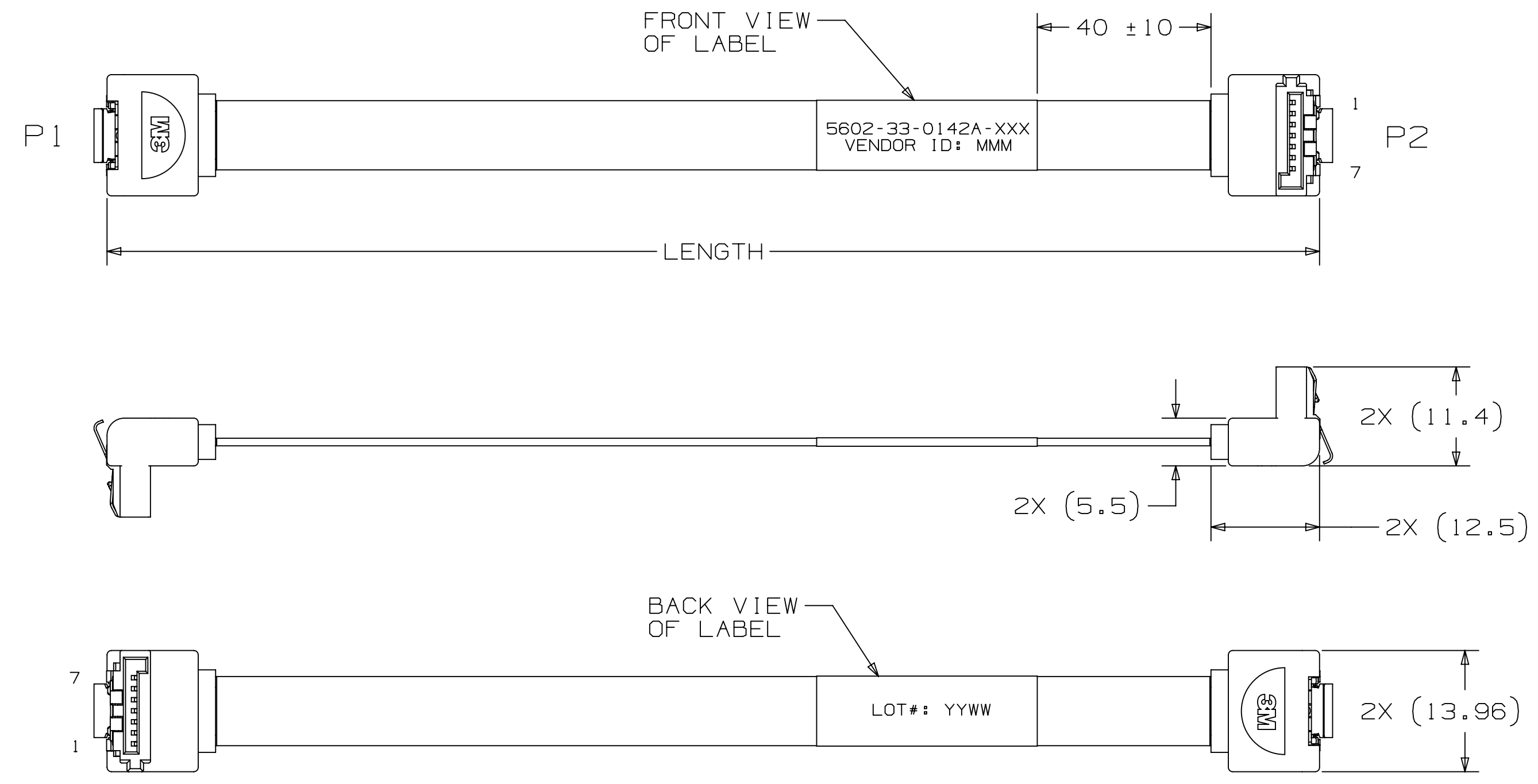
3M™ Display and Electronics Product Platform, (DEPP)
Transportation and Electronics Business Group (TEBG)
<http://www.3m.com/interconnect>
3M IS A TRADEMARK OF 3M COMPANY.
FOR TECHNICAL, SALES OR ORDERING
INFORMATION CALL 800-225-5373

78-5100-4897-4

A

3M™ HIGH ROUTABILITY INTERNAL SATA CABLE ASSEMBLY, 5602 SERIES
 7 PIN TWINAX CABLE ASSEMBLY, STRAIGHT AND RIGHT ANGLE, WITH AND WITHOUT LATCH, WITH AND WITHOUT JACKET

NOTES
 1. REFER TO SHEET 1 FOR NOTES.

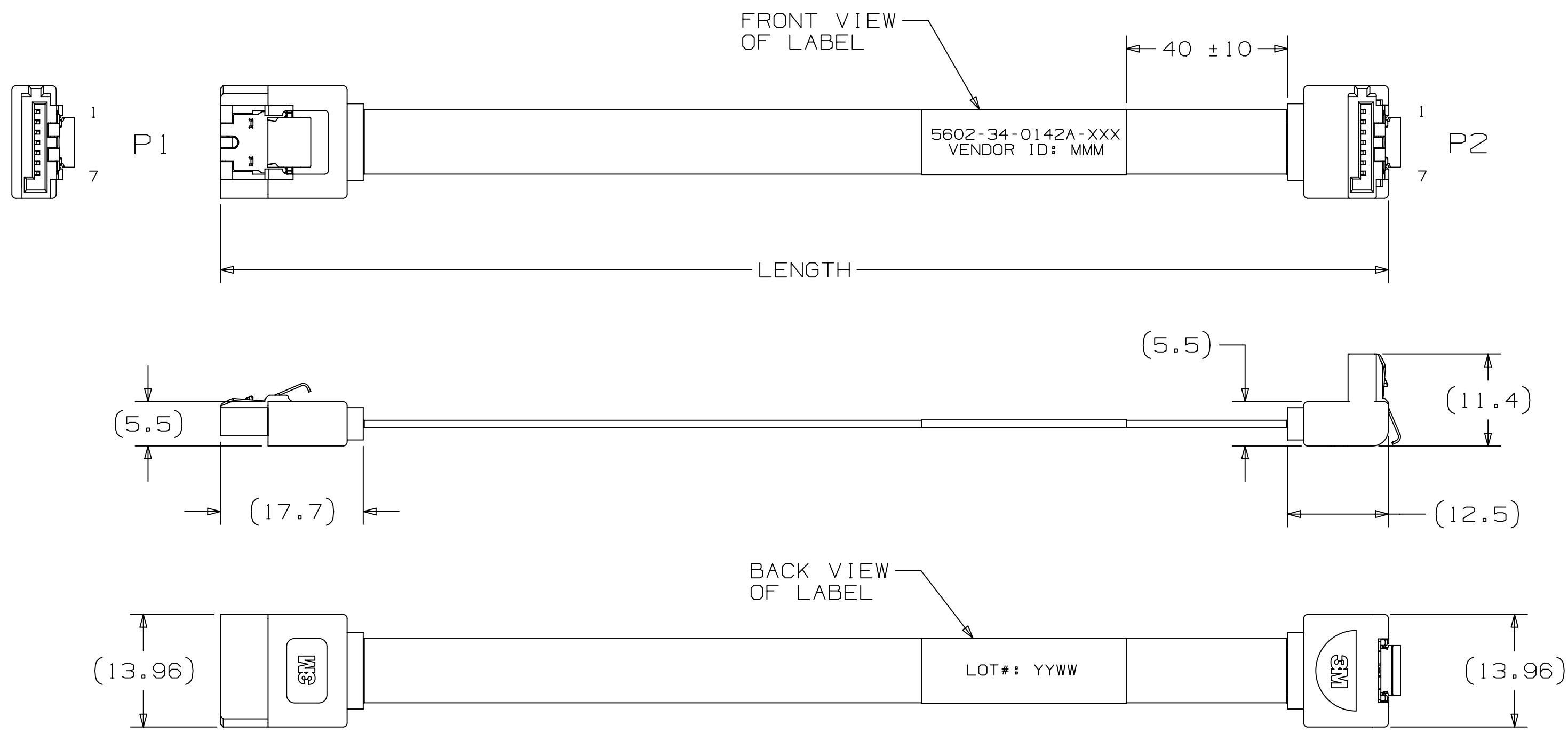


3M PART NUMBER		
NO JACKET VERSION	JACKETED VERSION	LENGTH (MM) SEE NOTE 7
5602-33-0142A-100	5602-33-0232A-100	100
5602-33-0142A-200	5602-33-0232A-200	200
5602-33-0142A-300	5602-33-0232A-300	300
5602-33-0142A-400	5602-33-0232A-400	400
5602-33-0142A-500	5602-33-0232A-500	500
5602-33-0142A-600	5602-33-0232A-600	600
5602-33-0142A-700	5602-33-0232A-700	700
5602-33-0142A-800	5602-33-0232A-800	800
5602-33-0142A-900	5602-33-0232A-900	900
5602-33-0142A-1000	5602-33-0232A-1000	1000

RIGHT ANGLE TO RIGHT ANGLE
 WITH LATCHES

ORDERING INFORMATION
 5602-33-0XX2A-XXX

14 = NO JACKET VERSION LENGTH IN MM,
 23 = JACKETED VERSION XXX REFERS TO 1000mm.



3M PART NUMBER		
NO JACKET VERSION	JACKETED VERSION	LENGTH (MM) SEE NOTE 7
5602-34-0142A-100	5602-34-0232A-100	100
5602-34-0142A-200	5602-34-0232A-200	200
5602-34-0142A-300	5602-34-0232A-300	300
5602-34-0142A-400	5602-34-0232A-400	400
5602-34-0142A-500	5602-34-0232A-500	500
5602-34-0142A-600	5602-34-0232A-600	600
5602-34-0142A-700	5602-34-0232A-700	700
5602-34-0142A-800	5602-34-0232A-800	800
5602-34-0142A-900	5602-34-0232A-900	900
5602-34-0142A-1000	5602-34-0232A-1000	1000

STRAIGHT TO RIGHT ANGLE
 WITH LATCHES

ORDERING INFORMATION
 5602-34-0XX2A-XXX

14 = NO JACKET VERSION LENGTH IN MM,
 23 = JACKETED VERSION XXX REFERS TO 1000mm.

3M™ Display and Electronics Product Platform, (DEPP)
 Transportation and Electronics Business Group (TEBG)
<http://www.3M.com/interconnect>
 3M IS A TRADEMARK OF 3M COMPANY.
 FOR TECHNICAL, SALES OR ORDERING
 INFORMATION CALL 800-225-5373

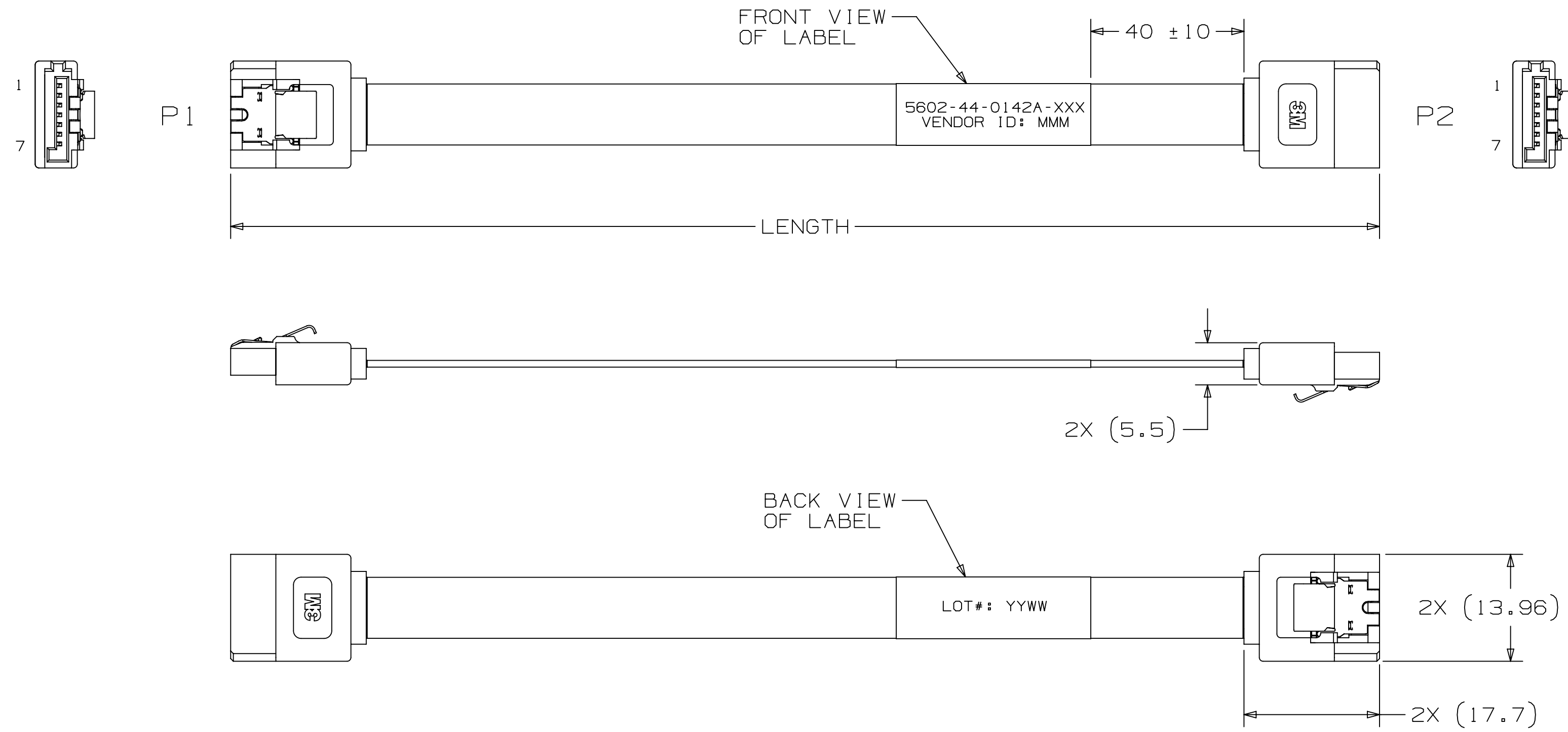
DESIGN REFERENCE	NEXT ASSEMBLY	REV	ECO	ISSUE DATE AND DESCRIPTION	DRFT	CHKD
RAO VITTAPALLI		RAO VITTAPALLI		JUL 02, 2016		
RAO VITTAPALLI		RAO VITTAPALLI		JUL 02, 2016		
DIVISION		DIVISION CODE		DEPP		
DO NOT SCALE DRAWING		SCALE		TOLERANCES EXCEPT AS NOTED		
THIRD ANGLE PROJECTION		INCHES		MILLIMETERS		
INTERPRET PER ASME Y14.5 - 2018		0 ±		0 ±		
MAX SURFACE ROUGHNESS		0.00 ±		0.00 ±		
ALL SURFACES		0.00 ±		0.00 ±		
MARKED ONLY		ANGLES				
© 3M COPYRIGHT 2025 This document and the information it contains are 3M property and may not be reproduced or further distributed without 3M permission, or used or disclosed other than for 3M authorized purposes. All rights reserved.				TITLE HIGH ROUTABILITY INTERNAL SATA CABLE ASSEMBLY		
CAGE NUMBER		SIZE		DRAWING NO.		REV.
D78-5100		4897-4		G		G
MODEL				SHT 4 OF 7		

78-5100-4897-4
DRAWING NUMBER

A

3M™ HIGH ROUTABILITY INTERNAL SATA CABLE ASSEMBLY, 5602 SERIES
7 PIN TWINAX CABLE ASSEMBLY, STRAIGHT AND RIGHT ANGLE, WITH AND WITHOUT LATCH, WITH AND WITHOUT JACKET

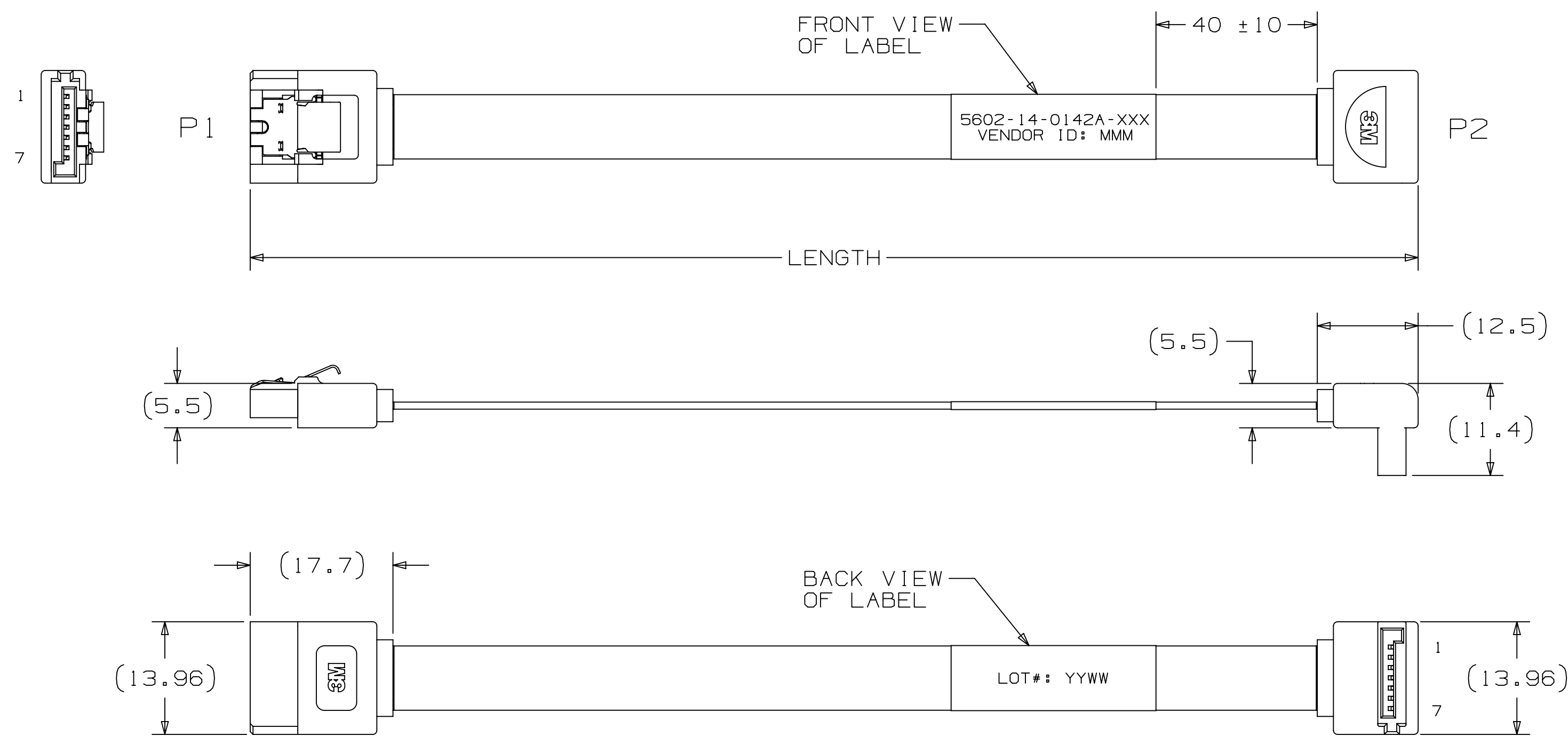
NOTES
1. REFER TO SHEET 1 FOR NOTES.



3M PART NUMBER		
NO JACKET VERSION	JACKETED VERSION	LENGTH (MM) SEE NOTE 7
5602-44-0142A-100	5602-44-0232A-100	100
5602-44-0142A-200	5602-44-0232A-200	200
5602-44-0142A-300	5602-44-0232A-300	300
5602-44-0142A-400	5602-44-0232A-400	400
5602-44-0142A-500	5602-44-0232A-500	500
5602-44-0142A-600	5602-44-0232A-600	600
5602-44-0142A-700	5602-44-0232A-700	700
5602-44-0142A-800	5602-44-0232A-800	800
5602-44-0142A-900	5602-44-0232A-900	900
5602-44-0142A-1000	5602-44-0232A-1000	1000

STRAIGHT TO STRAIGHT
WITH LATCHES
ORDERING INFORMATION
5602-44-0XX2A-XXX

14 = NO JACKET VERSION
23 = JACKETED VERSION
LENGTH IN MM,
XXX REFERS TO 1000mm.



3M PART NUMBER		
NO JACKET VERSION	JACKETED VERSION	LENGTH (MM) SEE NOTE 7
5602-14-0142A-100	5602-14-0232A-100	100
5602-14-0142A-200	5602-14-0232A-200	200
5602-14-0142A-300	5602-14-0232A-300	300
5602-14-0142A-400	5602-14-0232A-400	400
5602-14-0142A-500	5602-14-0232A-500	500
5602-14-0142A-600	5602-14-0232A-600	600
5602-14-0142A-700	5602-14-0232A-700	700
5602-14-0142A-800	5602-14-0232A-800	800
5602-14-0142A-900	5602-14-0232A-900	900
5602-14-0142A-1000	5602-14-0232A-1000	1000

STRAIGHT WITH LATCH TO
RIGHT ANGLE WITHOUT LATCH
ORDERING INFORMATION
5602-14-0XX2A-XXX

14 = NO JACKET VERSION
23 = JACKETED VERSION
LENGTH IN MM,
XXX REFERS TO 1000mm.

REV	ECO	ISSUE DATE AND DESCRIPTION	DRFT	CHKD
G	127848	DEC 16, 2025	JNC	MML
F	124281	JUN 25, 2025	JNC	MML
E	114747	MAY 13, 2024	JNC	MML
D	47119	APR 09, 2013	RV	RV
C	43801	DEC 31, 2012	RV	RV
B	42030	JUL 07, 2012	RV	RV
A	37492	SEP 05, 2011	RV	RV

DESIGN REFERENCE	NEXT ASSEMBLY	REV	ECO	ISSUE DATE AND DESCRIPTION	DRFT	CHKD
SCALE	SCALE	APPR	RAO VITTAPALLI	DATE	JUL 02, 2016	MFR
DO NOT SCALE DRAWING	SCALE	CHKD	RAO VITTAPALLI	DATE	JUL 02, 2016	APPR
THIRD ANGLE PROJECTION	SCALE	DATE	JUL 02, 2016	APPR	SAJJIT BANDHU	DATE
INTERPRET PER ASME Y14.5 - 2018	SCALE	DATE	JUL 02, 2016	APPR	SAJJIT BANDHU	DATE
MAX SURFACE ROUGHNESS	SCALE	DATE	JUL 02, 2016	APPR	SAJJIT BANDHU	DATE
MARKED ONLY	SCALE	DATE	JUL 02, 2016	APPR	SAJJIT BANDHU	DATE
TOLERANCES EXCEPT AS NOTED	SCALE	DATE	JUL 02, 2016	APPR	SAJJIT BANDHU	DATE
INCHES	SCALE	DATE	JUL 02, 2016	APPR	SAJJIT BANDHU	DATE
MILLIMETERS	SCALE	DATE	JUL 02, 2016	APPR	SAJJIT BANDHU	DATE
3M	SCALE	DATE	JUL 02, 2016	APPR	SAJJIT BANDHU	DATE
TITLE	SCALE	DATE	JUL 02, 2016	APPR	SAJJIT BANDHU	DATE
HIGH ROUTABILITY INTERNAL SATA CABLE ASSEMBLY	SCALE	DATE	JUL 02, 2016	APPR	SAJJIT BANDHU	DATE
CAGE NUMBER	SCALE	DATE	JUL 02, 2016	APPR	SAJJIT BANDHU	DATE
D78-5100-4897-4	SCALE	DATE	JUL 02, 2016	APPR	SAJJIT BANDHU	DATE
MODEL	SCALE	DATE	JUL 02, 2016	APPR	SAJJIT BANDHU	DATE
IS1s	SCALE	DATE	JUL 02, 2016	APPR	SAJJIT BANDHU	DATE
YES	SCALE	DATE	JUL 02, 2016	APPR	SAJJIT BANDHU	DATE
SHT 5 OF 7	SCALE	DATE	JUL 02, 2016	APPR	SAJJIT BANDHU	DATE

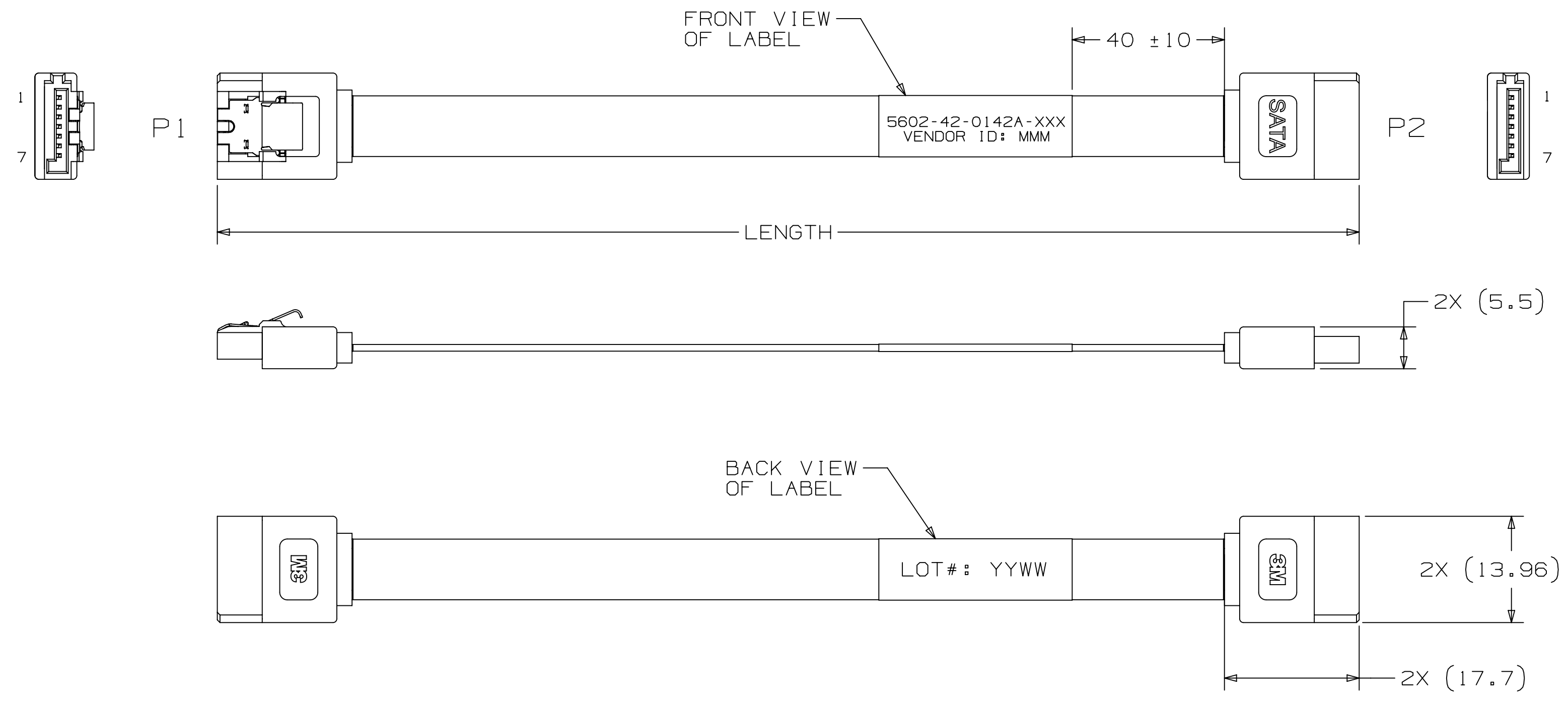
3M™ Display and Electronics Product Platform, (DEPP)
Transportation and Electronics Business Group (TEBG)
<http://www.3m.com/interconnect>

3M IS A TRADEMARK OF 3M COMPANY.
FOR TECHNICAL, SALES OR ORDERING
INFORMATION CALL 800-225-5373

DRAWING NUMBER 78-5100-4897-4 REVISION G

3M™ HIGH ROUTABILITY INTERNAL SATA CABLE ASSEMBLY, 5602 SERIES
 7 PIN TWINAX CABLE ASSEMBLY, STRAIGHT AND RIGHT ANGLE, WITH AND WITHOUT LATCH, WITH AND WITHOUT JACKET

NOTES
 1. REFER TO SHEET 1 FOR NOTES.



3M PART NUMBER		LENGTH (MM) SEE NOTE 7
NO JACKET VERSION	JACKETED VERSION	
5602-42-0142A-100	5602-42-0232A-100	100
5602-42-0142A-200	5602-42-0232A-200	200
5602-42-0142A-300	5602-42-0232A-300	300
5602-42-0142A-400	5602-42-0232A-400	400
5602-42-0142A-500	5602-42-0232A-500	500
5602-42-0142A-600	5602-42-0232A-600	600
5602-42-0142A-700	5602-42-0232A-700	700
5602-42-0142A-800	5602-42-0232A-800	800
5602-42-0142A-900	5602-42-0232A-900	900
5602-42-0142A-1000	5602-42-0232A-1000	1000

STRAIGHT LATCH TO
 STRAIGHT WITHOUT LATCH
 ORDERING INFORMATION
 5602-42-0XX2A-XXX

14 = NO JACKET VERSION
 23 = JACKETED VERSION
 LENGTH IN MM,
 XXX REFERS TO 1000mm.

REV	ECO	ISSUE DATE AND DESCRIPTION	DRFT	CHKD
G	127848	DEC 16, 2025 REVISE LOGO AND LABEL	JNC	MML
F	124281	JUN 25, 2025 ADD JACKETED CABLE	JNC	MML
E	114747	MAY 13, 2024 REVISE AND REDRAWN	JNC	MML
D	47119	APR 09, 2013 ADD SHEET 8 & 9	RV	RV
C	43801	DEC 31, 2012 CABLE P/N CHANGE	RV	RV
B	42030	JUL 07, 2012 REVISED DRAWING	RV	RV
A	37492	SEP 05, 2011 REVISED DRAWING	RV	RV

DESIGN REFERENCE	NEXT ASSEMBLY	REV	ECO	ISSUE DATE AND DESCRIPTION	DRFT	CHKD
RAO VITTAPALLI		RAO VITTAPALLI		JUL 02, 2016		
RAO VITTAPALLI		RAO VITTAPALLI		JUL 02, 2016		
RAO VITTAPALLI		SAJJIT BANDHU		JUL 02, 2016		

DO NOT SCALE DRAWING
 TOLERANCES EXCEPT AS NOTED
 INCHES: .00 ±, .000 ±, .0000 ±
 MILLIMETERS: 0 ±, .00 ±, .000 ±
 INTERPRET PER ASME Y14.5 - 2018
 MAX SURFACE ROUGHNESS: ALL SURFACES: .000 ±
 MARKED ONLY

3M Center St. Paul, MN 55144
 © 3M COPYRIGHT 2025
 This document and the information it contains are 3M property and may not be reproduced or further distributed without 3M permission, or used or disclosed other than for 3M authorized purposes. All rights reserved.

TITLE: HIGH ROUTABILITY INTERNAL SATA CABLE ASSEMBLY
 CAGE NUMBER: D78-5100-4897-4
 DRAWING NO.: 78-5100-4897-4
 REV.: G
 MODEL: SHT 6 OF 7

3M™ Display and Electronics Product Platform, (DEPP)
 Transportation and Electronics Business Group (TEBG)
<http://www.3M.com/interconnect>
 3M IS A TRADEMARK OF 3M COMPANY.
 FOR TECHNICAL, SALES OR ORDERING
 INFORMATION CALL 800-225-5373

REVISION
 78-5100-4897-4
 DRAWING NUMBER

3M™ HIGH ROUTABILITY INTERNAL SATA CABLE ASSEMBLY, 5602 SERIES
 7 PIN TWINAX CABLE ASSEMBLY, STRAIGHT AND RIGHT ANGLE, WITH AND WITHOUT LATCH, WITH AND WITHOUT JACKET

Regulatory: For regulatory information about this product, visit 3M.com/regs or contact your 3M representative.

Technical Information: The technical information, guidance, and other statements contained in this document or otherwise provided by 3M are based upon records, tests, or experience that 3M believes to be reliable, but the accuracy, completeness, and representative nature of such information is not guaranteed. Such information is intended for people with knowledge and technical skills sufficient to assess and apply their own informed judgment to the information. No license under any 3M or third party intellectual property rights is granted or implied with this information.

Product Use: Many factors beyond 3M's control and uniquely within user's knowledge and control can affect the use and performance of a 3M product in a particular application. As a result, customer is solely responsible for evaluating the product and determining whether it is appropriate and suitable for customer's application, including conducting a workplace hazard assessment and reviewing all applicable regulations and standards (e.g., OSHA, ANSI, etc.). Failure to properly evaluate, select, and use a 3M product in accordance with all applicable instructions and with appropriate safety equipment, or to meet all applicable safety regulations, may result in injury, sickness, death, and/or harm to property.

Warranty, Limited Remedy, and Disclaimer: Unless a different warranty is specifically stated on the applicable 3M product packaging or product literature (in which case such warranty governs), 3M warrants that each 3M product meets the applicable 3M product specification at the time 3M ships the product. 3M MAKES NO OTHER WARRANTIES OR CONDITIONS, EXPRESS OR IMPLIED, INCLUDING, BUT NOT LIMITED TO, ANY IMPLIED WARRANTY OR CONDITION OF MERCHANTABILITY, FITNESS FOR A PARTICULAR PURPOSE, OR ANY IMPLIED WARRANTY OR CONDITION ARISING OUT OF A COURSE OF DEALING, CUSTOM, OR USAGE OF TRADE. If a 3M product does not conform to this warranty, then the sole and exclusive remedy is, at 3M's option, replacement or repair of the 3M product or refund of the purchase price.

Limitation of Liability: Except for the limited remedy stated above, and except to the extent prohibited by applicable law, 3M will not be liable for any loss or damage arising from or related to the 3M product, whether direct, indirect, special, incidental, or consequential (including, but not limited to, lost profits or business opportunity), regardless of the legal or equitable theory asserted, including, but not limited to, warranty, contract, negligence, or strict liability.

Disclaimer: For industrial use only. Not intended, labeled or packaged for consumer sale or use.

3M Company
 Electronics Materials Solutions Division
 13011 McCallen Pass, Bldg. C
 Austin, TX 78753-5380
 1-800-225-5373
 www.3M.com/interconnect

3M™ Display and Electronics Product Platform, (DEPP)
 Transportation and Electronics Business Group (TEBG)
<http://www.3M.com/interconnect>

3M IS A TRADEMARK OF 3M COMPANY.
 FOR TECHNICAL, SALES OR ORDERING
 INFORMATION CALL 800-225-5373

REV	ECO	ISSUE DATE AND DESCRIPTION	DRFT	CHKD
G	127848	DEC 16, 2025 REVISE LOGO AND LABEL	JNC	MML
F	124281	JUN 25, 2025 ADD JACKETED CABLE	JNC	MML
E	114747	MAY 13, 2024 REVISE AND REDRAWN	JNC	MML
D	47119	APR 09, 2013 ADD SHEET 8 & 9	RV	RV
C	43801	DEC 31, 2012 CABLE P/N CHANGE	RV	RV
B	42030	JUL 07, 2012 REVISED DRAWING	RV	RV
A	37492	SEP 05, 2011 REVISED DRAWING	RV	RV

DESIGN REFERENCE	NEXT ASSEMBLY

DRWNO	DATE	DRFT	CHKD
RAO VITTAPALLI	JUL 02, 2016	MFG	
RAO VITTAPALLI	JUL 02, 2016	SAJ	JUL 02, 2016

DIVISION	DIVISION CODE	DEPP

DO NOT SCALE DRAWING	SCALE	TOLERANCES EXCEPT AS NOTED

THIRD ANGLE PROJECTION	INCHES	MILLIMETERS

MAX SURFACE ROUGHNESS	ALL SURFACES	MARKED ONLY

TITLE	CAGE NUMBER	SIZE	DRAWING NO.	REV.
HIGH ROUTABILITY INTERNAL SATA CABLE ASSEMBLY	D	78-5100-4897-4	G	

MODEL	DET	YES	NO	SHT	OF	TOTAL
				7	7	

78-5100-4897-4
DRAWING NUMBER

A