

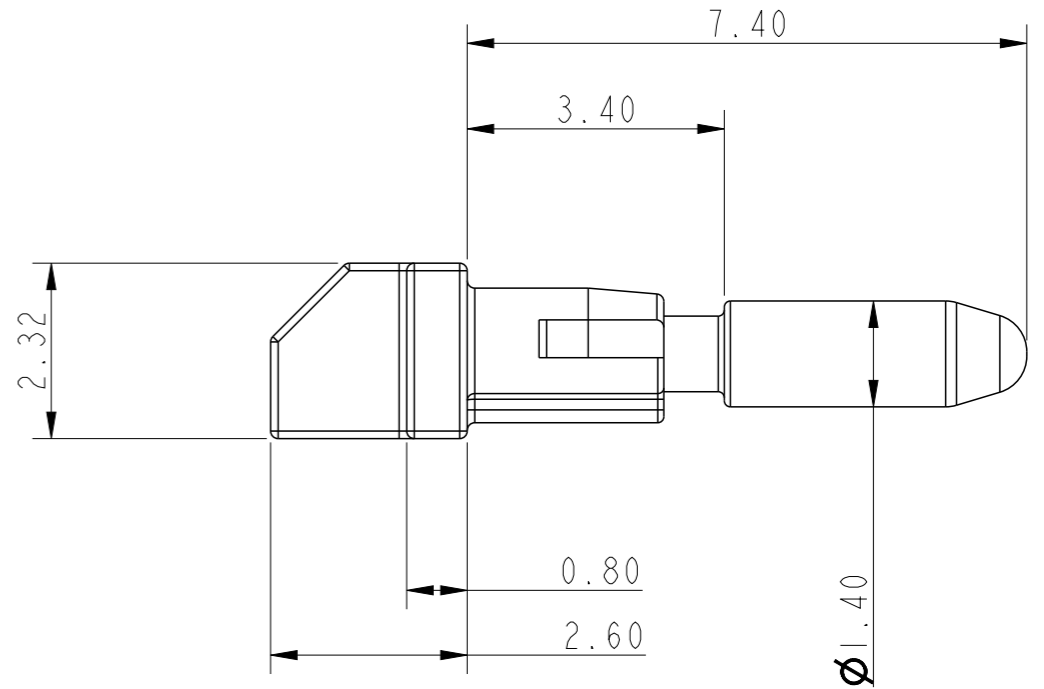
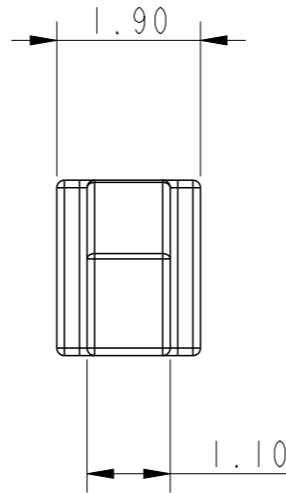
PRODUCT DESCRIPTION CODE:

10155475-000 LF

ROHS COMPATIBLE, SEE NOTE 6

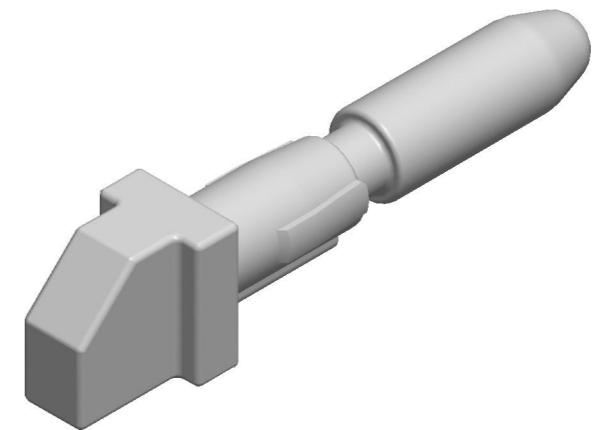
FOR CUSTOMER CODE:
BLANK = GENERAL USE

MATERIAL



NOTES:

- 1- MATERIAL:
0 = HIGH TEMPERATURE THERMOPLASTIC UL94 V-0
REGRIND <30%
COLOR WHITE
- 2- FOR USE WITH MICROSPACEXS SEALED
Receptacle series 10155470
Header series 10155480
- 3- PRODUCT SPECIFICATION: GS-12-1634
APPLICATION SPECIFICATION: GS-20-0657
- 4- PACKAGING: BULK
PACKAGING SPECIFICATION: GS-14-2777
- 5- THE PRODUCT IS NOT INTENDED TO BE EXPOSED TO ANY SOLDER PROCESS
- 6- ROHS COMPATIBLE PRODUCT SPECIFICATIONS
a - "LF" MEANS THE "PRODUCT IS LEAD FREE"
b - LABELLING:
MEETS PACKAGING SPECS AS PER GS-14-920
c - LEGAL STATEMENT:
SEE GS-47-0004



spec ref		dr	Lusinier, Juli	2023/01/20	projection 	size	A3	scale	7:1	
tolerance std		eng	Hyppias, Arnau	2023/06/27		product family	ecn no		ELX-F-48572-1	
TOLERANCES UNLESS OTHERWISE SPECIFIED		chr	Lusinier, Juli	2023/07/17			rel level		Released	
		appr	Vallière, Jérôme	2023/07/17		rel level		Released		
surface	linear	0.X	±	Amphenol FCi	title	Sealing Plug		dwg no	10155475c	rev
		0.XX	±							
0.XXX	±									
	angular	0°	±°	amphenol-icc.com	cat. no.	-	Product - Customer Drw		sheet 1 of 1	

Amphenol
FCi

© 2020 Amphenol Corporation