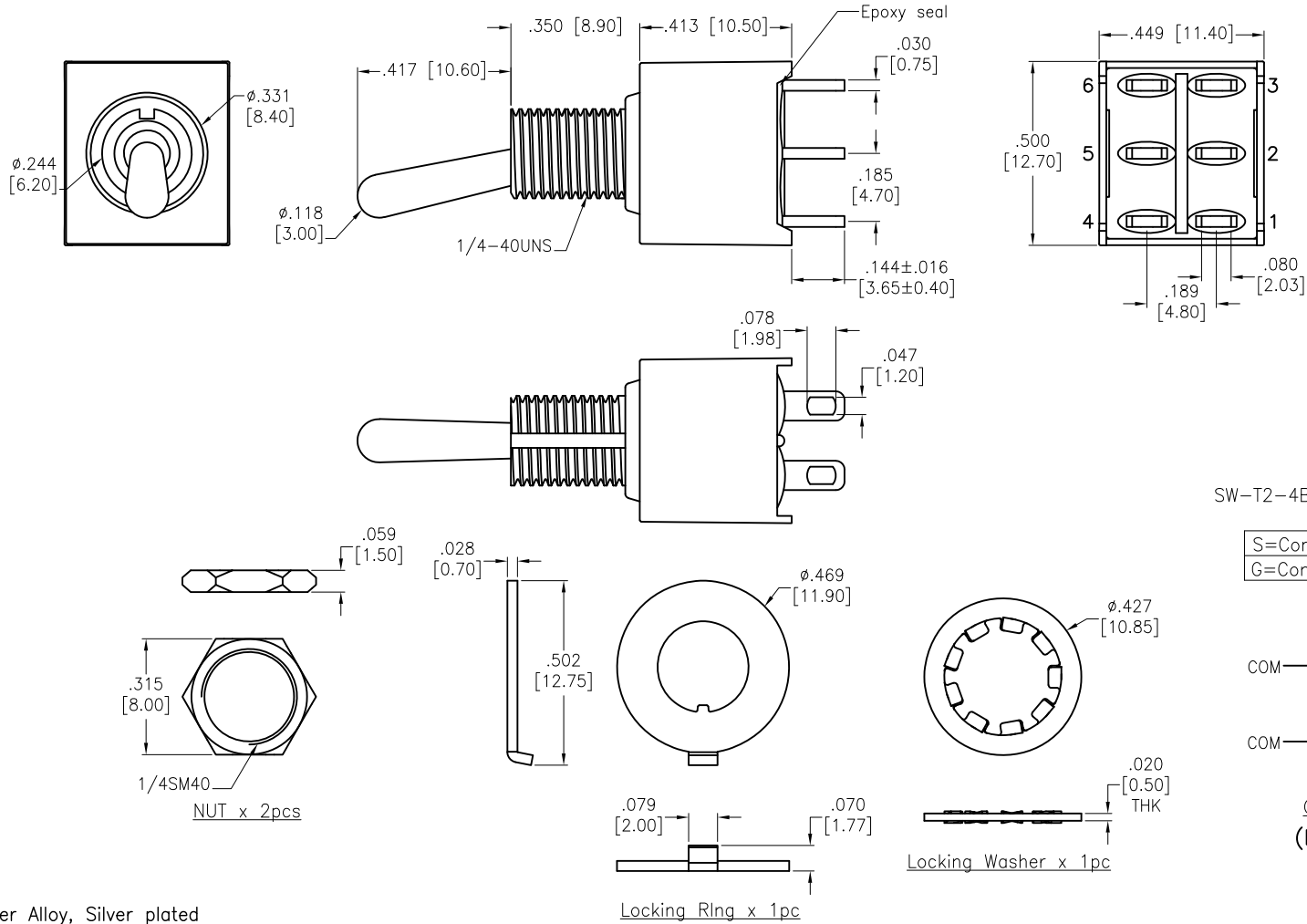


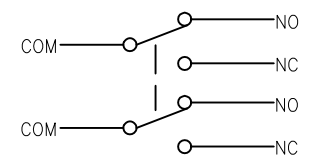
Rev	AWO #	Description	Date	Appr
-		RELEASED	9/27/21	

APPROVED: \_\_\_\_\_

DATE: \_\_\_\_\_ TITLE: \_\_\_\_\_



SW-T2-4B-A-T1-X-03  
 S=Contact Silver Plated  
 G=Contact Gold Plated



CIRCUIT DIAGRAM (DPDT) ON-ON

**SPECIFICATIONS:**

Material:  
 Movable contact: Copper Alloy, Silver plated  
 Terminals: Silver plated with outer layer in Gold plating  
 Electrical:  
 Rating: 5 Amps with resistive load @ 125VAC or 28VDC  
 2 Amps with resistive load @ 250VAC  
 Contact resistance: 10 mohms max initial  
 Insulation resistance: 1,000 Mohms min  
 Dielectric withstanding voltage: 1500V RMS @ sea level  
 Electrical life: 50,000 make and break cycles at full load  
 Temperature Rating:  
 Operating temperature: -30°C to +85°C  
 Environmental:  
 IP Class: IP67  
 Lead free, RoHS compliant



UNLESS OTHERWISE SPECIFIED ALL DIMENSIONS ARE INCHES [MM]. TOLERANCES: EXCEPT AS NOTED				909 Rahway Avenue, Union, NJ 07083 Phone: 908-687-5000 Fax: 908-687-5710																		
<table border="1"> <tr> <th>INCHES</th> <th>HOLES</th> </tr> <tr> <td>.X ± .10</td> <td>ØX ± .10</td> </tr> <tr> <td>.XX ± .020</td> <td>ØXX ± .015</td> </tr> <tr> <td>.XXX ± .015</td> <td>ØXXX ± .010</td> </tr> </table>				INCHES	HOLES	.X ± .10	ØX ± .10	.XX ± .020	ØXX ± .015	.XXX ± .015	ØXXX ± .010	<table border="1"> <tr> <td>DRAWN</td> <td>JJ</td> <td>9/27/21</td> </tr> <tr> <td>CHECKED</td> <td>RC</td> <td>9/27/21</td> </tr> <tr> <td>APPROVED</td> <td></td> <td></td> </tr> </table>		DRAWN	JJ	9/27/21	CHECKED	RC	9/27/21	APPROVED		
INCHES	HOLES																					
.X ± .10	ØX ± .10																					
.XX ± .020	ØXX ± .015																					
.XXX ± .015	ØXXX ± .010																					
DRAWN	JJ	9/27/21																				
CHECKED	RC	9/27/21																				
APPROVED																						
THIS DRAWING CONTAINS INFORMATION THAT IS PROPRIETARY AND SHOULD NOT BE USED WITHOUT PRIOR WRITTEN PERMISSION FROM ADAM TECH		<table border="1"> <tr> <td>SIZE</td> <td>PART NO.</td> <td>REV.</td> </tr> <tr> <td>X</td> <td>SW-T2-4B-A-T1-X-03</td> <td>-</td> </tr> </table>	SIZE	PART NO.	REV.	X	SW-T2-4B-A-T1-X-03	-	<table border="1"> <tr> <td>REF:</td> <td>S00198T</td> <td>SCALE:</td> <td>NTS</td> <td>SHEET</td> <td>1 OF 1</td> </tr> </table>			REF:	S00198T	SCALE:	NTS	SHEET	1 OF 1					
SIZE	PART NO.	REV.																				
X	SW-T2-4B-A-T1-X-03	-																				
REF:	S00198T	SCALE:	NTS	SHEET	1 OF 1																	