

SACC-M 8MS-4PCON - Connector



1506765

<https://www.phoenixcontact.com/ae/products/1506765>

Please be informed that the data shown in this PDF document is generated from our online catalog. Please find the complete data in the user documentation. Our general terms of use for downloads are valid.



Connector, Universal, 4-position, Plug straight M8, coding: A, Piercecon® fast connection, knurl material: Brass, nickel-plated, external cable diameter 3 mm ... 5 mm

Your advantages

- Safe use in the field, thanks to a high degree of protection
- Piercecon® connection: maximum contact density in a connector that can be assembled

Commercial data

Item number	1506765
Packing unit	1 pc
Minimum order quantity	1 pc
Sales key	AF2
Product key	AF2BGA
GTIN	4017918892685
Weight per piece (including packing)	17.4 g
Weight per piece (excluding packing)	16.4 g
Customs tariff number	85366990
Country of origin	DE

SACC-M 8MS-4PCON - Connector



1506765

<https://www.phoenixcontact.com/ae/products/1506765>

Technical data

Notes

Assembly note	NOTE: Observe the permissible bending radii when routing cables, since the degree of protection may be at risk if the bending forces are too high. Reduce mechanical loads upstream of the connector, e.g., by using cable ties.
---------------	---

Product properties

Product type	Circular connector (cable-side)
Sensor type	Universal
Number of positions	4
No. of cable outlets	1
Shielded	no
Coding	A

Insulation characteristics

Overvoltage category	II
Degree of pollution	3

Dimensions

Dimensional drawing	
Length	35.4 mm
Wrench size, union nut	11 mm

External dimensions

Outside diameter	3 mm ... 5 mm
------------------	---------------

Housing

Diameter housing	12 mm
------------------	-------

Material specifications

Flammability rating according to UL 94	V0
Seal material	NBR
Material of grip body	PA 6.6
Contact material	CuZn
Contact surface material	Ni/Au
Contact carrier material	PA 6.6
Material for screw connection	Brass, nickel-plated

Connection data

SACC-M 8MS-4PCON - Connector



1506765

<https://www.phoenixcontact.com/ae/products/1506765>

Conductor connection

Connection method	Piercecon® fast connection
Connection cross section	0.14 mm ² ... 0.38 mm ² (flexible)
Connection cross section AWG	22 ... 26 (flexible)
Tightening torque	0.5 Nm (Pressure nut with coupling sleeve)
	0.8 Nm (Connector with coupling sleeve)
	0.2 Nm (M8 knurl)

Connection assignment

Contact Color (signal designation) Contact (optional)	1 = BN
	3 = BU
	4 = BK

Electrical properties

Contact resistance	≤ 3 mΩ
Insulation resistance	≥ 100 MΩ
Nominal voltage U _N	30 V AC
	30 V DC
Nominal current I _N	4 A

Mechanical properties

Mechanical data

Insertion/withdrawal cycles	≥ 100
-----------------------------	-------

Connector

Connection 1

Head design	Plug
Head cable outlet	straight
Head thread type	M8
Coding	A

Cable/line

Signal type/category	Universal
----------------------	-----------

Environmental and real-life conditions

Ambient conditions

Degree of protection	IP68
Ambient temperature (operation) (male connector/female connector)	-25 °C ... 85 °C (Plug / socket)

Standards and regulations

M8

Standard designation	M8 connector
----------------------	--------------

SACC-M 8MS-4PCON - Connector



1506765

<https://www.phoenixcontact.com/ae/products/1506765>

Standards/specifications

IEC 61076-2-104

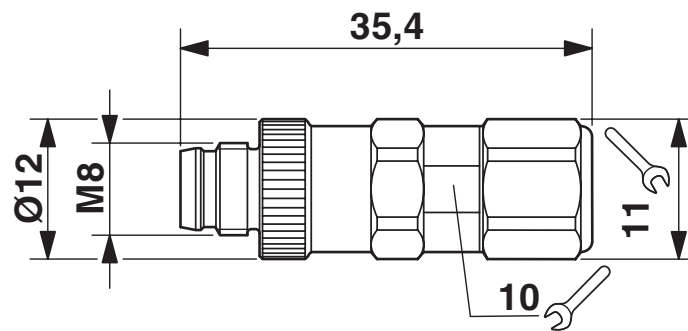
SACC-M 8MS-4PCON - Connector

1506765

<https://www.phoenixcontact.com/ae/products/1506765>

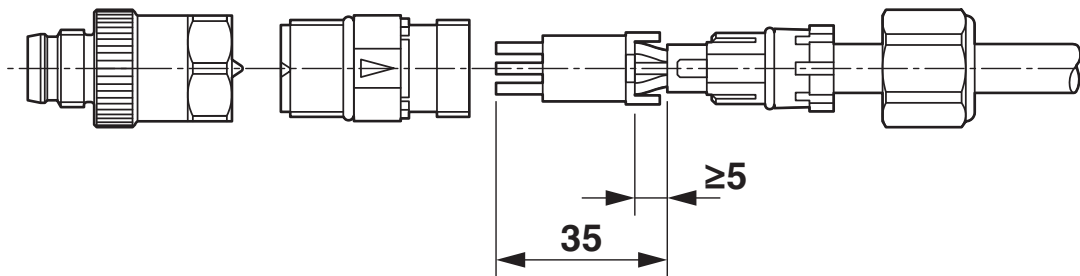
Drawings

Dimensional drawing



M8 x 1 male plug, straight version

Functional drawing



a = cut flush

b = coding

When assembled, the coding marks must line up.

SACC-M 8MS-4PCON - Connector

1506765

<https://www.phoenixcontact.com/ae/products/1506765>



Schematic diagram



Pin assignment M8 plug, 4-pos., view male side

SACC-M 8MS-4PCON - Connector



1506765

<https://www.phoenixcontact.com/ae/products/1506765>

Classifications

ECLASS

ECLASS-13.0	27440116
ECLASS-15.0	27440116

ETIM

ETIM 9.0	EC002635
----------	----------

UNSPSC

UNSPSC 21.0	39121400
-------------	----------

SACC-M 8MS-4PCON - Connector



1506765

<https://www.phoenixcontact.com/ae/products/1506765>

Environmental product compliance

EU RoHS

Fulfills EU RoHS substance requirements	Yes, No exemptions
---	--------------------

China RoHS

Environment friendly use period (EFUP)	EFUP-E
	No hazardous substances above the limits

EU REACH SVHC

REACH candidate substance (CAS No.)	No substance above 0.1 wt%
-------------------------------------	----------------------------

Phoenix Contact 2025 © - all rights reserved

<https://www.phoenixcontact.com>

PHOENIX CONTACT Middle East FZ LLC
1201N-1206N, Dubai Science Park Towers – North
P.O. Box 345002, Dubai, United Arab Emirates
(+971) 4 437-0324
info-me@phoenixcontact.com