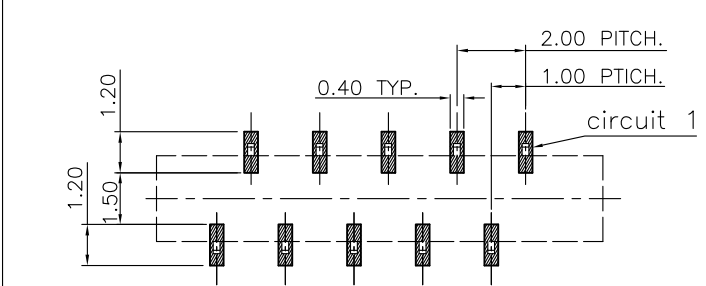
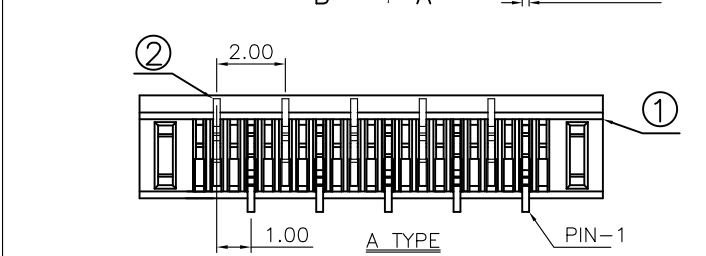
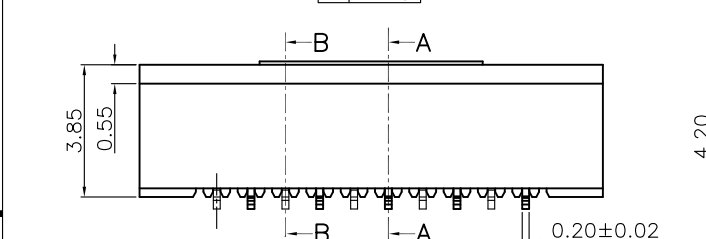
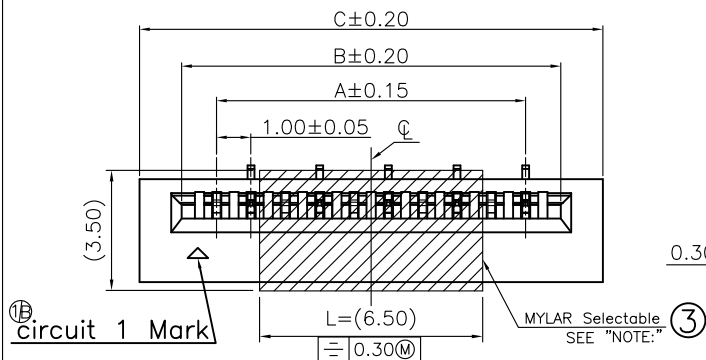
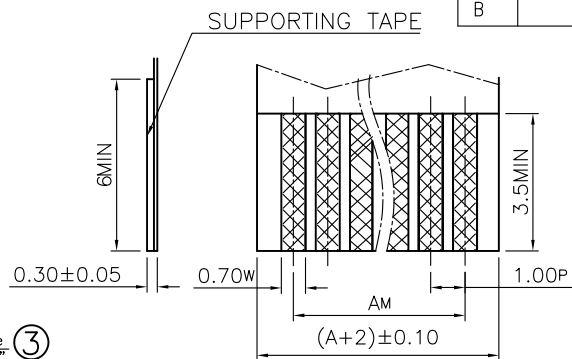


This document is the property of Amphenol Aorora Corporation and is delivered on the express condition that it is not to be disclosed, reproduced or used, in whole or in part, for manufacture or sale by anyone other than Amphenol Aorora Corporation without its prior consent, & that no right is granted to disclose or to use any information in this document.

REV.	ECR/ECN No.	DESCRIPTION	DRAWN/DATE	CHECKED/DATE	APPROVED/DATE
A	/	New Version	May 2017-09-07	Rain 2017-09-07	Hongkui.liu 2017-09-07
B		Update the CPK No.1	May 2018-07-17	Rain 2018-07-17	Hongkui.liu 2018-07-17

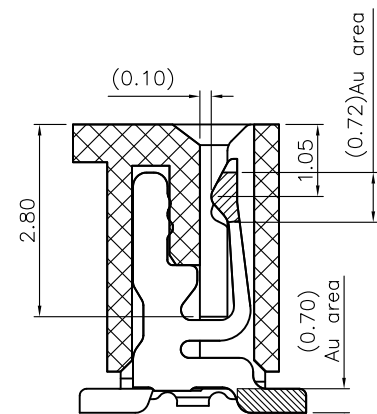
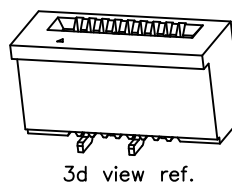
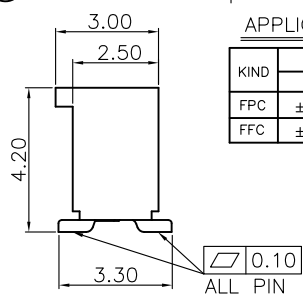


P.C.B LAYOUT A TYPE (REFERENCE) TOL:±0.05



APPLICABLE FPC/FFC

KIND	TOLERANCE		
	P	W	M
FPC	±0.02	±0.05	±0.05
FFC	±0.05	±0.03	±0.10



Section A-A
Scale 2:1

NO.	COMPONENTS	MATERIALS	SPECIFICATION:FINISH/COLOR	QTY.
1	HOUSING	GLASS FILLED LCP, UL94V-0	NATURAL	1
2	TERMINALS	PHOSPHOR BRONZE, T=0.20mm	SURFACE PLATING:SEE "NOTE" UNDER PLATING:1~3 um Ni	N
3	MYLAR	T=0.10mm THERMOSTABLE	yellow	1

NOTE:
1.ALL MATERIAL MUST BE COMPLY WITH SS-00259 OR RoHS.
2.PART NO. LEGEND:

F51H-1A**1-110**-B*00

1H:A TYPE

7A:PHOSPHOR BRONZE MATTER TIN

7H:PHOSPHOR BRONZE 0.05um MIN Au(Au Area)

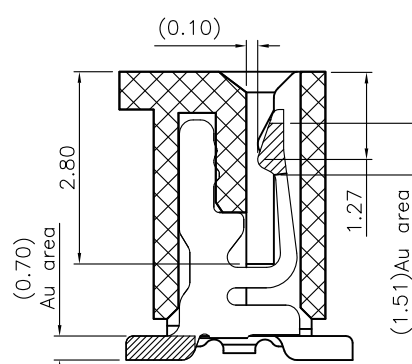
NO. OF POSITIONS

1: WITH MYLAR

2: WITHOUT MYLAR

DIMENSION LIST:

NO. OF POS.	A	B	C
4	3.00	5.05	7.50
5	4.00	6.05	8.50
6	5.00	7.05	9.50
7	6.00	8.05	10.50
8	7.00	9.05	11.50
9	8.00	10.05	12.50
10	9.00	11.05	13.50
11	10.00	12.05	14.50
12	11.00	13.05	15.50
13	12.00	14.05	16.50
14	13.00	15.05	17.50
15	14.00	16.05	18.50
16	15.00	17.05	19.50
17	16.00	18.05	20.50
18	17.00	19.05	21.50
19	18.00	20.05	22.50
20	19.00	21.05	23.50
21	20.00	22.05	24.50
22	21.00	23.05	25.50
23	22.00	24.05	26.50
24	23.00	25.05	27.50



Section B-B
Scale 2:1

UNLESS OTHERWISE SPECIFIED TOLERANCES				ANGLE OF PROJECTION		Amphenol AORORA	
X.	±0.50	X. *	± 1'			Amphenol Aorora Technology (Huizhou) Co.,Ltd	
X.X	±0.30	X.X *	± 0.5'			TITLE:	
X.XX	±0.20	X.XX *	± 0.5'	DOC TYPE	Customer Drw	FPC NON-ZIF P1.0 VERTICAL SMT TYPE	
X.XXX	±0.10	X.XXX *	± 1'	DRAWN	May 2018-07-17	DATE	May 2018-07-17
LINEAR DIMS	ANGLES DIMS			DESIGN	May 2018-07-17	DATE	May 2018-07-17
P/N:F51H-1A**1-110**-B*00				CHECKED	Rain 2018-07-17	DATE	Rain 2018-07-17
MATERIAL	SEE NOTES			APPROVED	Hongkui.liu 2018-07-17	DATE	Hongkui.liu 2018-07-17
FINISHED	SEE NOTES			SCALE		1:1	UNIT : mm
						SHEET	1 OF 1



Amphenol Aorora Technology (Huizhou) Co.,Ltd

TITLE:
FPC NON-ZIF P1.0 VERTICAL SMT TYPE

SIZE DWG NO.
A4 A-S0458

REV. B