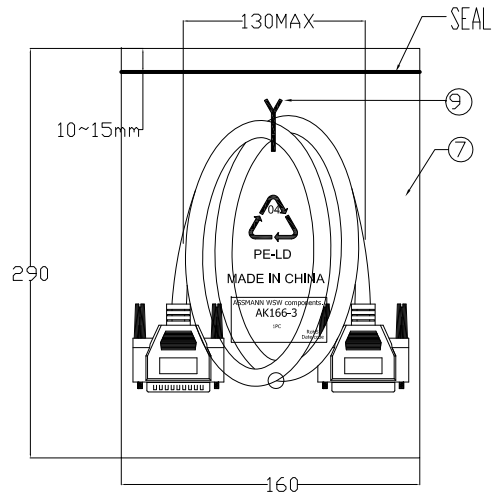


① PIN ASSIGNMENT

| P1 | P2 |
|-------|-------|
| 1 | 1 |
| 2 | 2 |
| 3 | 3 |
| 4 | 4 |
| 5 | 5 |
| 6 | 6 |
| 7 | 7 |
| 8 | 8 |
| 9 | 9 |
| 10 | 10 |
| 11 | 11 |
| 12 | 12 |
| 13 | 13 |
| 14 | 14 |
| 15 | 15 |
| 16 | 16 |
| 17 | 17 |
| 18 | 18 |
| 19 | 19 |
| 20 | 20 |
| 21 | 21 |
| 22 | 22 |
| 23 | 23 |
| 24 | 24 |
| 25 | 25 |
| SHELL | SHELL |

Electrical test:
 1.100% short,open,miswire test
 2.Conduct resistance: 5 ohm(max)
 3.Insulation resistance: 10 Mohm(min)
 4.dielectric test:DC 300V/10ms



| NO. | NAME | Q'TY | SPECIFICATION |
|-----|------------|------|---|
| ⑨ | TIE | 1 | WHITE L=120mm |
| ⑧ | PE BAG | 1/10 | CLEAR SIZE:360*380*0.05mm PRINT BLACK"MADE IN CHINA"+"10PCS". |
| ⑦ | PE BAG | 1 | CLEAR SIZE:160*290*0.05mm PRINT BLACK"MADE IN CHINA". |
| ⑥ | TUBE | 2 | HEAT SHRINK TUBE BLACK OD1.5*20MM |
| ⑤ | SCREW | 4 | #4-40UNC TYPE D-E L=30mm,NICKEL PLATED,MOLD:BEIGE(IV-29) ABS |
| ④ | IN JACKET | 18g | CLEAR LD-PE (Mould NO.:NM-33) |
| | OUT JACKET | 60g | BEIGE(IV-29) 40P PVC(Mould NO.WM-017) |
| ③ | CONN | 1 | DB 25P FEMALE SODER TYPE PIN G/F SHELL NI-PLATED INSULATOR COLOR:BLUE |
| ② | CONN | 1 | DB 25P MALE SOLDER TYPE PIN G/F SHELL NI-PLATED INSULATOR COLOR:BLUE |
| ① | CABLE | 1 | NOUL 28#*25C+D+AL/MY OD6.5mm JACKET BEIGE(IV-29) L=3000±10mm |
| | | | |

RoHS compliant
Unit: mm

| Scale | Free | | | | | Date | Name | Customer-No. |
|-----------|------|-----|--|------------|------|----------|------------|--------------|
| TOLERANCE | | | | | | Drawn | 20.02.2017 | Amy |
| | | | | | | Approved | 04.09.2017 | Fred |
| DIM | TOL | ① | Delete the wire color for pin assignment | 04.09.2017 | Fred | | | |
| | | ② | Drawn | 20.02.2017 | Amy | | | |
| Angle | TOL | Id. | Modification | Date | Name | Replace | | Sheet |

| | | | |
|-----------------|--|--------------------|--|
| ASSMANN WSW-No. | | AK166-3 | |
| Drawing-No. | | ASS 7887 CA | |
| Replace | | rev01 | |
| | | Sheet | |