

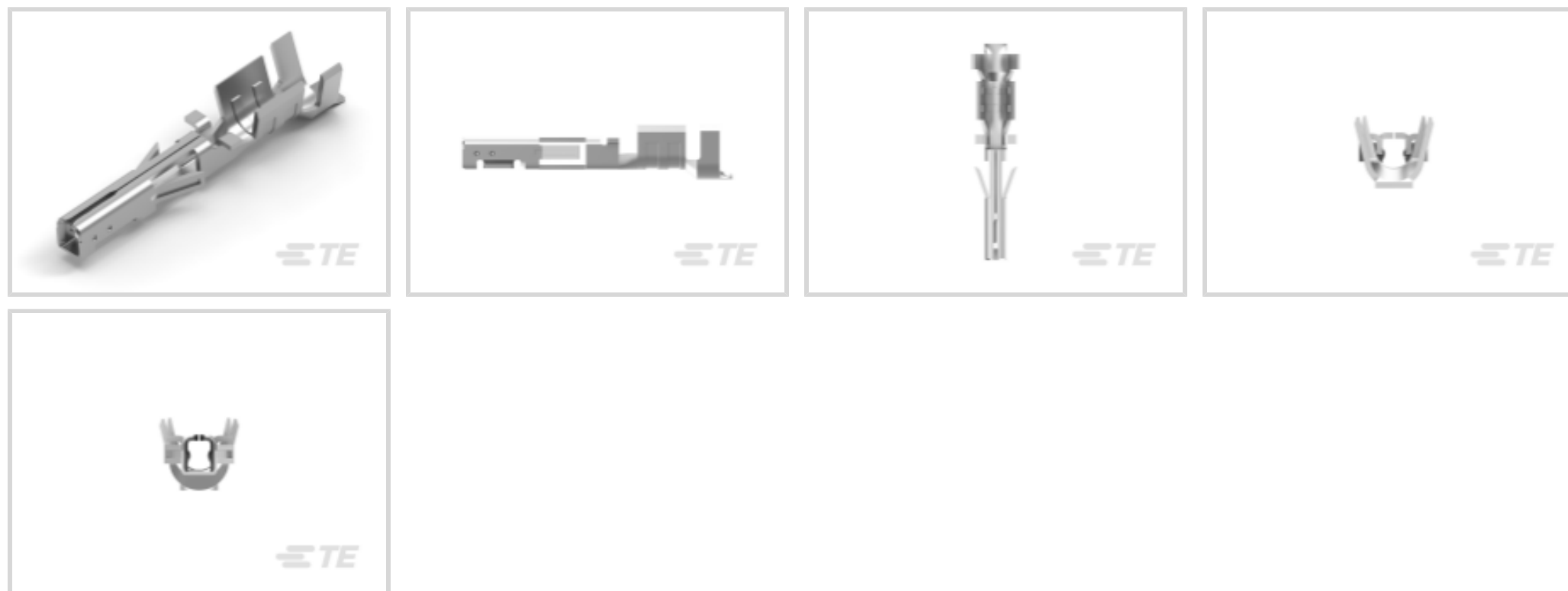


TE Internal #: 1-2204749-8

Tin (Sn), Receptacle Contact, 20 – 24 AWG, 600 VAC, 600 VDC,
 Locking Lance Contact Retention, Crimp, Copper Alloy, Sealable,
 Power

[View on TE.com >](#)

Connectors > Contacts > Connector Contacts



Contact Type: **Receptacle**

Contact Mating Area Plating Material: **Tin (Sn)**

Wire Contact Termination Area Plating Material: **Tin**

Operating Voltage: **600 VDC**

Features

Product Type Features

Sealable	Yes
----------	-----

Electrical Characteristics

Operating Voltage	600 VDC
-------------------	---------

Contact Features

Contact Type	Receptacle
Contact Mating Area Plating Material	Tin (Sn)
Wire Contact Termination Area Plating Material	Tin
Contact Retention Within Housing	With
Contact Base Material	Copper Alloy
Contact Current Rating (Max)	12.5 A
Mating Square Post Dimension	.64 mm[.025 in]
Contact Mating Area Plating Material Thickness	2.54 μm[100 μin]
Contact Mating Area Plating Material Finish	Matte
Wire Contact Termination Area Plating Thickness	2.54 μm[100 μin]
Wire Contact Termination Area Plating Material Finish	Bright



Contact Orientation	Straight
Contact Underplating Material	Nickel
Contact Underplating Material Thickness	1.25 µm[50 µin]

Termination Features

Termination Method to Wire & Cable	Crimp
Product Terminates To	Wire & Cable

Mechanical Attachment

Contact Retention Type Within Housing	Locking Lance
Wire Insulation Support	With

Dimensions

Wire Size	20 – 24 AWG
Compatible Insulation Diameter Range	1.3 – 1.9 mm

Usage Conditions

Operating Temperature Range	-40 – 105 °C[-40 – 221 °F]
-----------------------------	----------------------------

Operation/Application

Circuit Application	Power
---------------------	-------

Packaging Features

Packaging Method	Bag
------------------	-----

Product Compliance

[For compliance documentation, visit the product page on TE.com>](#)

EU RoHS Directive 2011/65/EU	Compliant
EU ELV Directive 2000/53/EC	Not Yet Reviewed
China RoHS 2 Directive MIIT Order No 32, 2016	有害物质含量符合标准要求 No Restricted Substance(s) Above Threshold
EU REACH Regulation (EC) No. 1907/2006	Current ECHA Candidate List: JUNE 2025 (250) Candidate List Declared Against: JUNE 2025 (250) Does not contain REACH SVHC
Halogen Content	Low Halogen - Br, Cl, F < 900 ppm per homogenous material. Also BFR/CFR/PVC Free
Solder Process Capability	Not reviewed for solder process capability



Product Compliance Disclaimer

This information is provided based on reasonable inquiry of our suppliers and represents our current actual knowledge based on the information they provided. This information is subject to change. The part numbers that TE has identified as EU RoHS compliant have a maximum concentration of 0.1% by weight in homogenous materials for lead, hexavalent chromium, mercury, PBB, PBDE, DBP, BBP, DEHP, DIBP, and 0.01% for cadmium, or qualify for an exemption to these limits as defined in the Annexes of Directive 2011/65/EU (RoHS2). Finished electrical and electronic equipment products will be CE marked as required by Directive 2011/65/EU. Components may not be CE marked. Additionally, the part numbers that TE has identified as EU ELV compliant have a maximum concentration of 0.1% by weight in homogenous materials for lead, hexavalent chromium, and mercury, and 0.01% for cadmium, or qualify for an exemption to these limits as defined in the Annexes of Directive 2000/53/EC (ELV). Regarding the REACH Regulations, TE's information on SVHC in articles for this part number is still based on the European Chemical Agency (ECHA) 'Guidance on requirements for substances in articles' (Version: 2, April 2011), applying the 0.1% weight on weight concentration threshold at the finished product level. TE is aware of the European Court of Justice ruling of September 10th, 2015 also known as O5A (Once An Article Always An Article) stating that, in case of 'complex object', the threshold for a SVHC must be applied to both the product as a whole and simultaneously to each of the articles forming part of its composition. TE has evaluated this ruling based on the new ECHA "Guidance on requirements for substances in articles" (June 2017, version 4.0) and will be updating its statements accordingly.

Compatible Parts



TE Part # 2204748-8
 ELCON MICRO, RECEPTACLE
 HOUSING, 16P

Customers Also Bought




TE Part #2820123007
 44A0111-18-2



TE Part #2820103008
 44A0111-18-0



TE Part #2820093010
 44A0111-16-9



TE Part #130663
 PIDG RING NYL



TE Part #170780-1
 P.G RING UL.CSA(22-18)



TE Part #3-640441-5
 05P MTA100 CONN ASSY WHT



TE Part #CAT-104MTA-NYLCC
 Nylon PCB Connector Covers: 2.54
 mm, MTA 100



TE Part #2-1393249-2
 W58-XB1A4A-8=W58



Documents

Product Drawings

[ELCON MICRO, RECEPTACLE, CONTACT, TIN](#)

English

CAD Files

[3D PDF](#)

3D

Customer View Model

[ENG_CVM_CVM_1-2204749-8_A.2d_dxf.zip](#)

English

Customer View Model

[ENG_CVM_CVM_1-2204749-8_A.3d_igs.zip](#)

English

Customer View Model

[ENG_CVM_CVM_1-2204749-8_A.3d_stp.zip](#)

English

By downloading the CAD file I accept and agree to the [Terms and Conditions](#) of use.

Datasheets & Catalog Pages

[1-1773956-3-ELCON-Micro-CN](#)

[ELCON Micro Power Connectors \(EN\)](#)

English

Product Specifications

[Application Specification](#)

English