

Covers and Adapter for OGN

new



OGN Adapter



Cover black and transparent



Cover with clamp

4W/10A

See below:
[Approvals and Compliances](#)

Description

- Accessory for all OGN fuseholders
- Cover: Available in different materials | Heat-resistant variant for reflow soldering | black and transparent versions
- Adapter: Better access to fuse-links in PCB's | Approved as cover

Applications

- Household Equipment
- Industrial Equipment
- Control electronics

References

Mating accessories to [OGN](#); [OGN Pre-Assembled](#)

Weblinks

[pdf data sheet](#), [html datasheet](#), [General Product Information](#), [Distributor-Stock-Check](#), [Detailed request for product](#), [Microsite](#)

Technical Data

Rated Power Acceptance IEC	4 W / 10 A @ Ta 23 °C 2.5 W / 10 A with transparent cover
Admissible Ambient Temp.	-40 °C to 85 °C
Material: Cover	Thermoplastic UL 94V-0
Storage Conditions	0 °C to 60 °C, max. 70% r.h.

Approvals and Compliances

Detailed information on product approvals, code requirements, usage instructions and detailed test conditions can be looked up in [Details about Approvals](#)

SCHURTER products are designed for use in industrial environments. They have approvals from independent testing bodies according to national and international standards. Products with specific characteristics and requirements such as required in the automotive sector according to IATF 16949, medical technology according to ISO 13485 or in the aerospace industry can be offered exclusively with customer-specific, individual agreements by SCHURTER.

Product standards

Product standards that are referenced

Organization	Design	Standard	Description
	Designed according to	IEC 60127-6	Miniature fuses. Part 6. Fuse-holders for miniature fuse-links
	Designed according to	UL 4248-1	Industrial Control Equipment
	Designed according to	CSA C22.2 no. 4248.1	Industrial Control Equipment





Application standards

Application standards where the product can be used

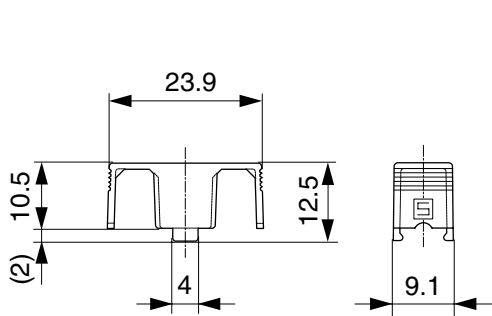
Organization	Design	Standard	Description
	Suitable for applications acc.	IEC/UL 62368-1	Audio/video, information and communication technology equipment - Part 1: Safety requirements
	Suitable for applications acc.	IEC 60335-1	Safety of electrical appliances for household and similar purposes. Meets the requirements for appliances in unattended use. This includes the enhanced requirements of glow wire tests acc. to IEC 60695-2-11 or -12 & -13.

Compliances

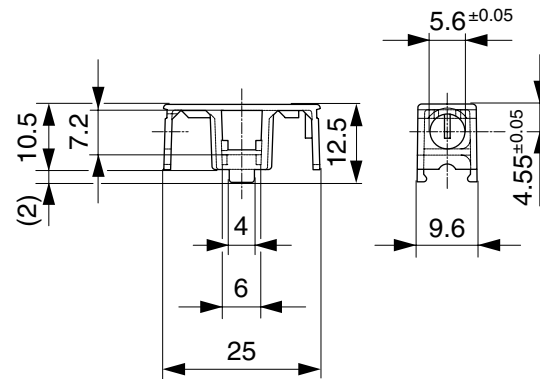
The product complies with following Guide Lines

Identification	Details	Initiator	Description
	RoHS	SCHURTER AG	Directive RoHS 2011/65/EU, Amendment (EU) 2015/863
	China RoHS	SCHURTER AG	The law SJ / T 11363-2006 (China RoHS) has been in force since 1 March 2007. It is similar to the EU directive RoHS.
	REACH	SCHURTER AG	On 1 June 2007, Regulation (EC) No 1907/2006 on the Registration, Evaluation, Authorization and Restriction of Chemicals 1 (abbreviated as "REACH") entered into force.
	White Paper Glow wire test	SCHURTER AG	Meets the requirements of IEC 60335-1 for appliances in unattended use. This includes the enhanced requirements of glow wire tests acc. to IEC 60695-2-11 or -12 &-13.

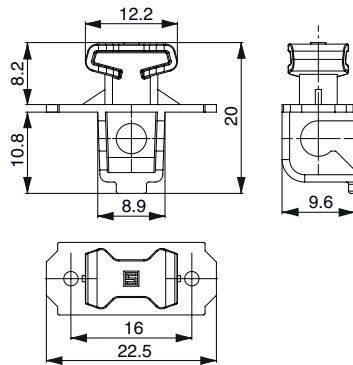
Dimension [mm]



Variants 0853.0551, 0853.0571, 0853.0573 and 0853.0575



Variant 0853.0576



Variant 3-135-947

Accessories	Description	Color	Order Number
Adapter/Cover	Not for reflow	black	3-135-947
Cover	Not for reflow	transparent	0853.0551
Cover	Not for reflow	transparent	0853.0551.G
Cover	for 245 °C Reflow	black	0853.0571
Cover	for 260 °C Reflow	black	0853.0573
Cover	for 260 °C Reflow	black	0853.0573.G
Cover	Not for reflow	black	0853.0575
Cover	with Clamp for 245 °C Reflow	black	0853.0576

Availability for all products can be searched real-time: <https://www.schurter.com/en/info-center/support-tools/stock-check-distributors>

Packaging Unit	xxxx.xxxx.G	Bulk (1000 pcs.)
	all other variants	Bulk (100 pcs.)