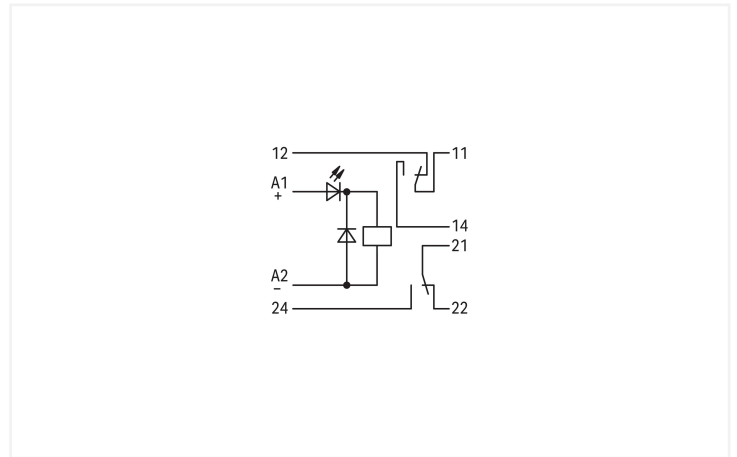


## Data Sheet | Item Number: 286-316

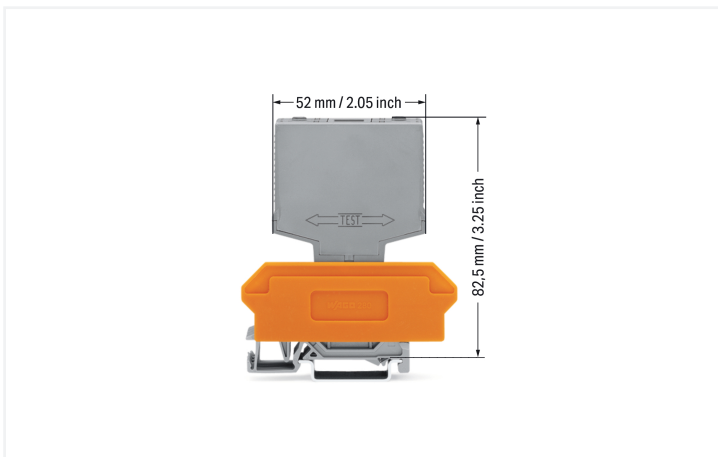
Relay module; Nominal input voltage: 220 VDC; 2 changeover contacts; Limiting continuous current: 7 A; Red status indicator; Module width: 20 mm; gray

<https://www.wago.com/286-316>



Color: ■ gray

Similar to illustration



### Technical data

#### Control circuit

Nominal input voltage $U_N$	220 VDC
Input voltage range	±10 %
Nominal input current at $U_N$	5 mA

#### Load circuit

Number of changeover/switchover contacts	2
Contact material (relay)	AgNi 0.15
Limiting continuous current	7 A
Switching Voltage, Max.	250 VAC
Switching power (resistive) max.	AC 1750 VA
Pull-in time (typ.)	18 ms
Drop-out time (typ.)	3 ms
Bounce time (typ.)	2 ms
Electrical life (NO; resistive load; 23 °C)	100 x 10 <sup>3</sup> switching operations
Mechanical life	30 x 10 <sup>6</sup> switching operations

### Signaling

Status indicator	Red LED
------------------	---------

### Safety and protection

Rated Voltage	250 V
Rated impulse withstand voltage	4 kV
Pollution degree	2
Dielectric strength (control/load circuit) (AC, 1 min)	2 kVrms
Dielectric strength (open contact) (AC, 1 min)	1 kVrms
Dielectric strength (load/load circuit) (AC, 1 min)	1.5 kVrms
Protection type	IP20

### Physical data

Width	20 mm / 0.787 inches
Height	52 mm / 2.047 inches
Depth from upper-edge of DIN-rail	82.5 mm / 3.248 inches
Note (dimensions)	Depth including carrier terminal block

### Mechanical data

Mounting type	Pluggable module for receptacle terminal blocks
---------------	---

### Material data

Note (material data)	<a href="#">Information on material specifications can be found here</a>
Color	gray
Fire load	0.354 MJ
Weight	39.9 g

### Environmental requirements

Ambient temperature (operation at $U_N$ )	-25 ... +40 °C
Ambient temperature (storage)	-25 ... +70 °C
Processing temperature	-25 ... +50 °C
Relative humidity	5 ... 85 % (no condensation permissible)
Operating altitude (max.)	2000 m

### Standards and Specifications

Standards/specifications	EN 60664-1
--------------------------	------------

### Commercial data

Product Group	6 (INTERFACE ELECTRONIC)
PU (SPU)	10 (1) pcs
Packaging type	Box
Country of origin	DE
GTIN	4045454553630
Customs tariff number	85364900990

Product Classification	
UNSPSC	39122334
eCl@ss 10.0	27-37-16-01
eCl@ss 9.0	27-37-16-01
ETIM 9.0	EC001437
ETIM 10.0	EC001437
ECCN	NO US CLASSIFICATION

Environmental Product Compliance	
CAS-No.	7439-92-1 79-94-7
REACH Candidate List Substance	2,2',6,6'-tetrabromo-4,4'-isopropylidenediphenol Lead
RoHS Compliance Status	Compliant,With Exemption
RoHS Exemption	7(a)
SCIP notification number (Austria)	caf48449-c7ee-41e9-95e9-9c7347f5a471
SCIP notification number (Belgium)	19b3c68c-da4e-4fce-bbec-828212c1274e
SCIP notification number (Bulgaria)	0ad6742e-07e0-4988-b877-53302f4f6641
SCIP notification number (Czech Republic)	41b82857-80e3-4e9c-b1b0-020df7badcbd
SCIP notification number (Denmark)	1dc88fbd-b839-4a5f-9cdf-00658da2f389
SCIP notification number (Finland)	3257e224-f588-41ad-a739-b35461f564e7
SCIP notification number (France)	bb67425c-5805-4d57-9526-76cc55e71290
SCIP notification number (Germany)	9cce2dc6-4c1c-4f99-8137-9b75efeb9adb
SCIP notification number (Hungary)	b175298b-1f3e-423f-ba1a-7d9379d76843
SCIP notification number (Italy)	a439bf26-59b6-4da5-9464-6643e602a2d7
SCIP notification number (Netherlands)	5f468ac6-4287-4397-b076-c8a390ce95c3
SCIP notification number (Poland)	c5ca149a-06a8-4602-bd0a-45d0a40344c6
SCIP notification number (Romania)	984a7288-1d9a-4d9b-8752-7dabce81f526
SCIP notification number (Sweden)	f005a10c-679a-481f-a25c-9ed51aa27736

### Approvals / Certificates

#### General approvals



Approval	Standard	Certificate Name
EAC GZO Almaty Standart	TP TC 004/2011	EAC CoC 03078

### Downloads

#### Environmental Product Compliance

Compliance Search
Environmental Product Compliance 286-316

## Documentation

Bid Text			
286-316	19.02.2019	xml 3.79 KB	<a href="#">↓</a>
286-316	22.03.2018	doc 27.00 KB	<a href="#">↓</a>

Instruction Leaflet			
Operation and Assembly Instructions Interface	V 1.0.0 02.04.2025	pdf 1246.19 KB	<a href="#">↓</a>

## CAD/CAE-Data

CAD data
2D/3D Models 286-316 <a href="#">↓</a>

CAE data
WSCAD Universe 286-316 <a href="#">↓</a>
ZUKEN Portal 286-316 <a href="#">↓</a>

## 1 Compatible Products

### 1.1 Optional Accessories

#### 1.1.1 Marking

##### 1.1.1.1 Marker



**Item No.: 209-701**

WSB marking card; as card; not stretchable; plain; snap-on type; white

#### 1.1.2 Terminal blocks

##### 1.1.2.1 Terminal block for pluggable modules



**Item No.: 280-638**

Terminal block for pluggable modules; 8-pole; with 2-conductor terminal blocks; with orange separator; for DIN-rail 35 x 15 and 35 x 7.5; 2.5 mm<sup>2</sup>; CAGE CLAMP®; 2,50 mm<sup>2</sup>; gray



**Item No.: 280-764**

Terminal block for pluggable modules; 8-pole; with 4-conductor terminal blocks; with marker carrier; with orange separator; for DIN-rail 35 x 15 and 35 x 7.5; 2.5 mm<sup>2</sup>; CAGE CLAMP®; 2,50 mm<sup>2</sup>; gray

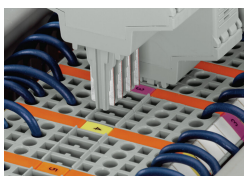


**Item No.: 280-628**

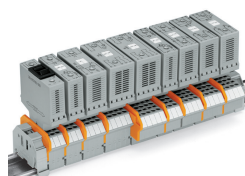
Terminal block for pluggable modules; 8-pole; with 4-conductor terminal blocks; with orange separator; for DIN-rail 35 x 15 and 35 x 7.5; 2.5 mm<sup>2</sup>; CAGE CLAMP®; 2,50 mm<sup>2</sup>; gray

## Installation Notes

### Installation



Coding ensures correct polarity.



Pluggable electronic modules on 2- or 4-conductor carrier terminal blocks

## Marking



Marking via WMB Multi Marking System.

## Testing



Function testing via touch-proof test slots