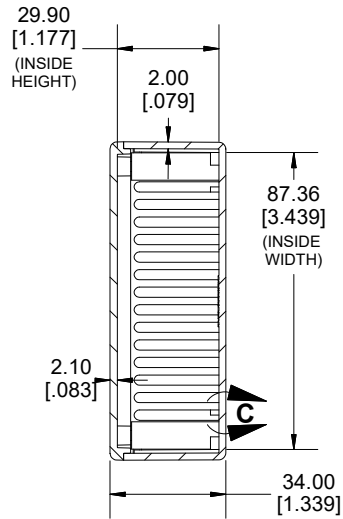
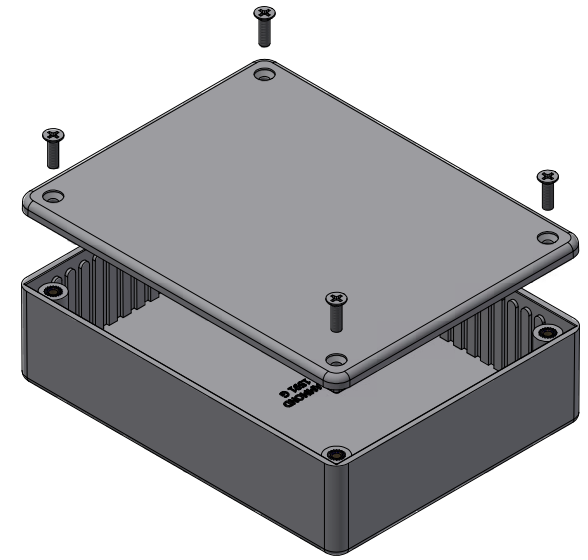


TOP VIEW



SECTION A-A



Enclosures can be Factory Modified (Milling, Drilling, Printing etc.)
 Contact Factory (modshop@hammfg.com) for quotes
 Solid models of this enclosure available in .stp or .x_t
 (Part number and text placement/orientation on our products are subject to change,
 we do not recommend using them as a locating reference for modification purposes)

NOTE	
Purchased assembly includes box, lid, 4 cover screws, and pre-installed brass inserts.	
Enclosure made from FRABS or Polycarbonate.	
Recommended Torque: 35.5-42.5 ozf.in (25-30 cN.m)	

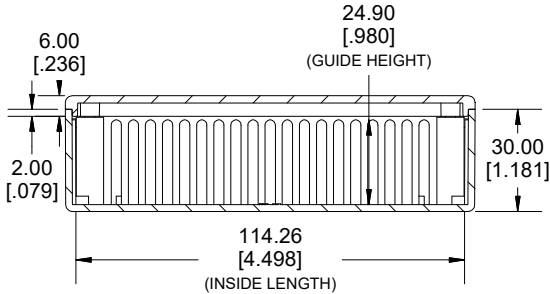
PART NUMBERS

1591G Enclosure		
Material	Colour	Part Number
FR ABS UL94 -V0	Beige	1591GBG
	Black	1591GBK
	Blue	1591GBU
	Grey	1591GGY

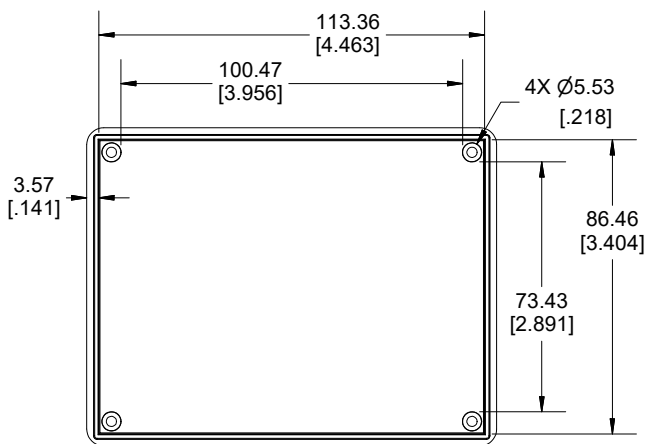
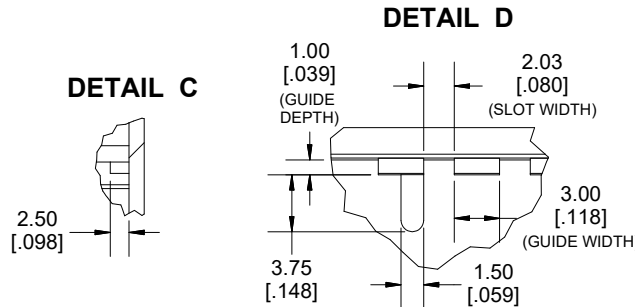
Accessories

Plated Cover screw	1591MS100 (Silver)
M3 - 0.5 X 10mm (100Pkg)	1591MS100BK (Black)
PC Board Card Adapters	1591Z6 (6Pkg)
	1591Z50 (50 Pkg)
	1591Z100 (100Pkg)
Nylon Belt / Pocket clip	1599CLIP (Black)
	1599CLIPGY (Grey)
Clear Lids - Flame Retardant Polycarbonate - Lid ONLY	1591GC

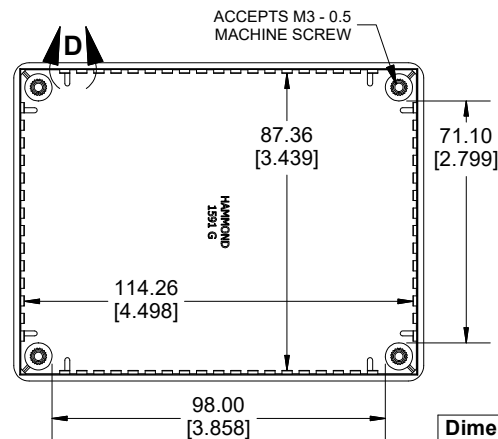
**HAMMOND
MANUFACTURING.**
1591G
www.hammondmfg.com



SECTION B-B
SIDE VIEW



INSIDE LID



INSIDE BOX

Dimensions:
mm
[inches]