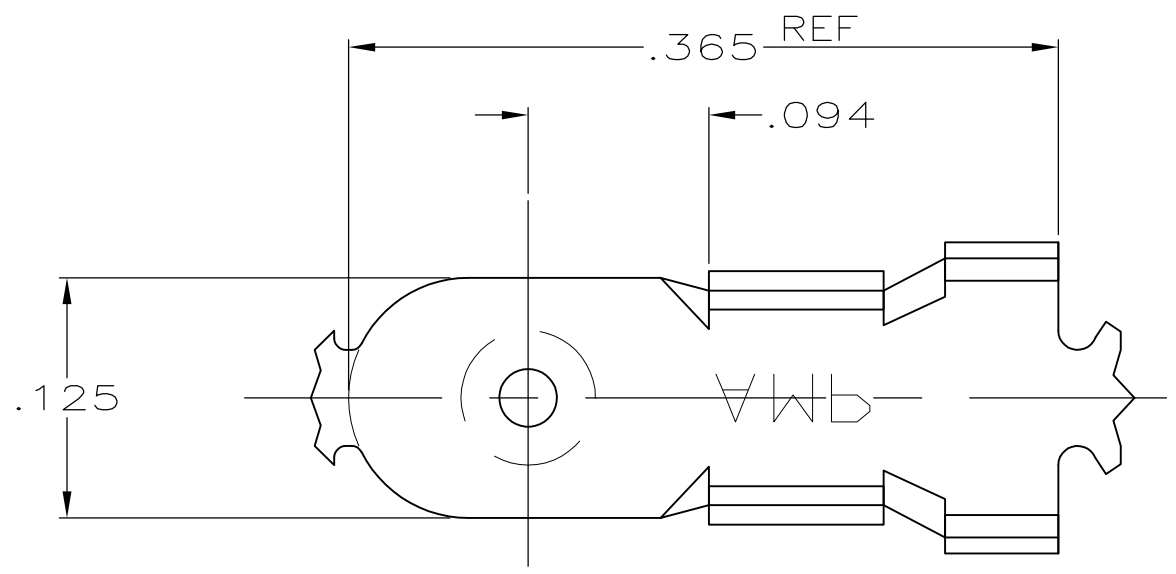
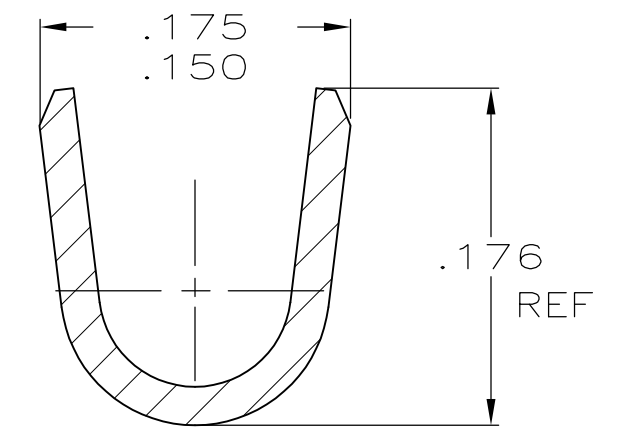
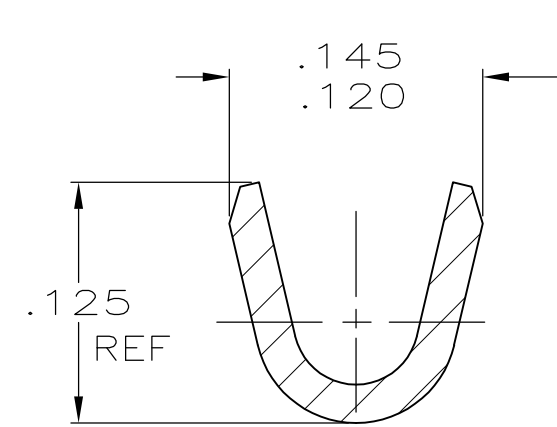
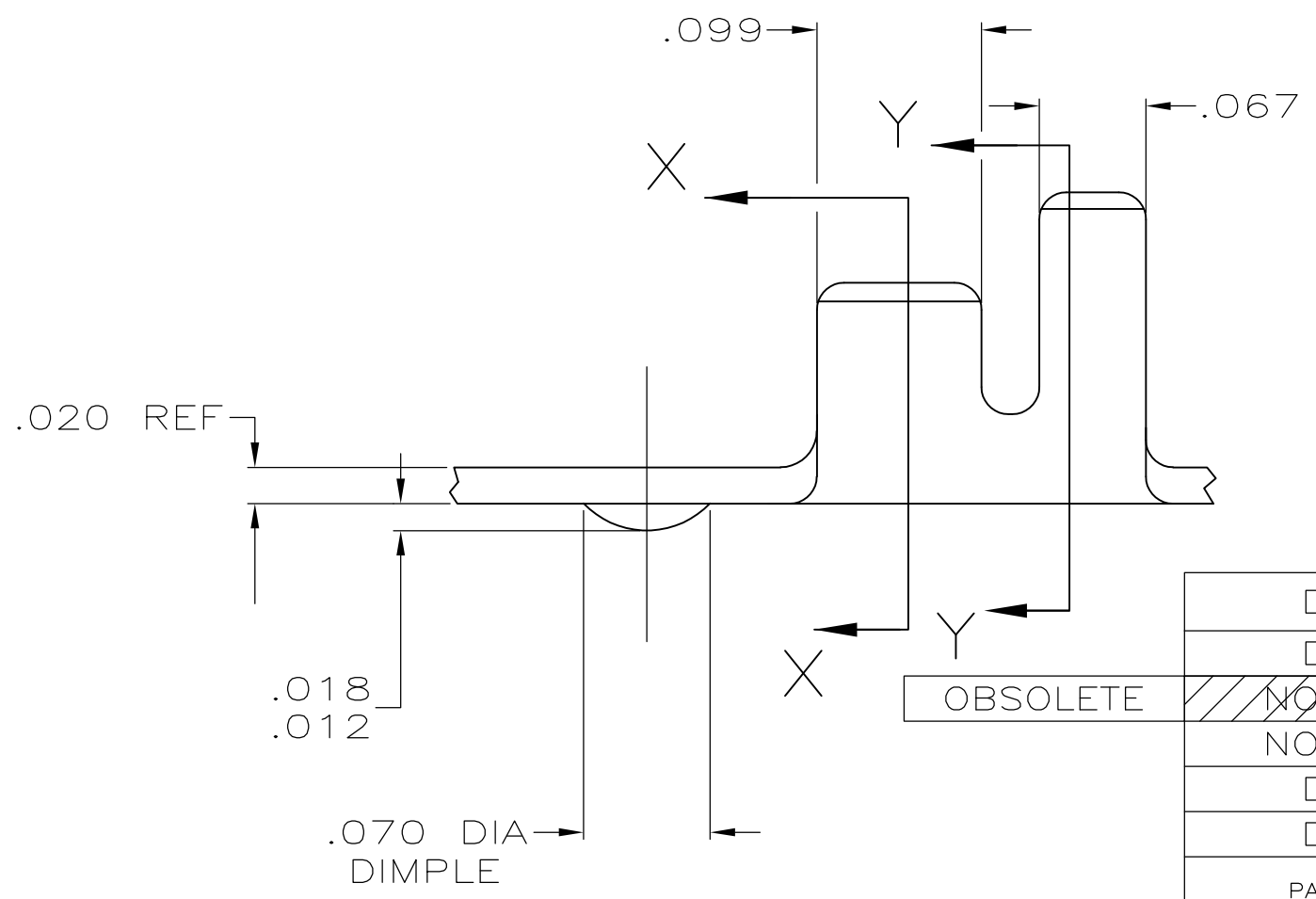


THIS DRAWING IS UNPUBLISHED. RELEASED FOR PUBLICATION  
 © COPYRIGHT - By - ALL RIGHTS RESERVED.

LOC	DIST	REVISIONS			
P	LTR	DESCRIPTION	DATE	DWN	APVD
AF	50	AF5	REVISED PER ECO 11-018422	09SEP11	JR PD



- 1 CONTINUOUS STRIP ON REELS.
- 2 WIRE SIZE IS #20-#16 AWG.
- 3 INSULATION RANGE IS .090-.130 DIA.
- △4 .000080 MIN TIN PLATE.
- △5 COPPER FLASH BASE WITH .000005 MIN GOLD PLATE OVER .000030 MIN NICKEL UNDERPLATE.
- △6 .000100 MIN NICKEL PLATE
- △7 PRELIMINARY - NOT FOR PRODUCTION



DIMPLE	FINISH	MATERIAL	PART NUMBER
DIMPLE	-	T4 PHOS BRONZE	△7 40990-5
DIMPLE	△6	TEMPER 3 STEEL	40990-4
NO DIMPLE	-	TEMPER 3 STEEL	40990-3
NO DIMPLE	△5	TEMPER 3 STEEL	40990-2
DIMPLE	△4	TEMPER 3 STEEL	40990-1
DIMPLE	-	ANNEALED UNS S43000 STAINLESS STEEL	40990

THIS DRAWING IS A CONTROLLED DOCUMENT.		DWN 26JUL2001 MICHAEL S. FEHER	<b>STE</b> TE Connectivity	
		CHK 26JUL2001 GARY PORTA		
DIMENSIONS: INCHES		APVD 26JUL2001 GARY PORTA	NAME	
TOLERANCES UNLESS OTHERWISE SPECIFIED:		PRODUCT SPEC	WELD TAB	
0 PLC ± -		APPLICATION SPEC	-	
1 PLC ± -		SIZE	CAGE CODE	DRAWING NO
2 PLC ± -		WEIGHT	A3	00779
3 PLC ± .015		C=40990		RESTRICTED TO
4 PLC ± -		CUSTOMER DRAWING		
ANGLES ± -		SCALE	SHEET	REV
FINISH		10:1	1 OF 1	AF5
SEE TABLE				