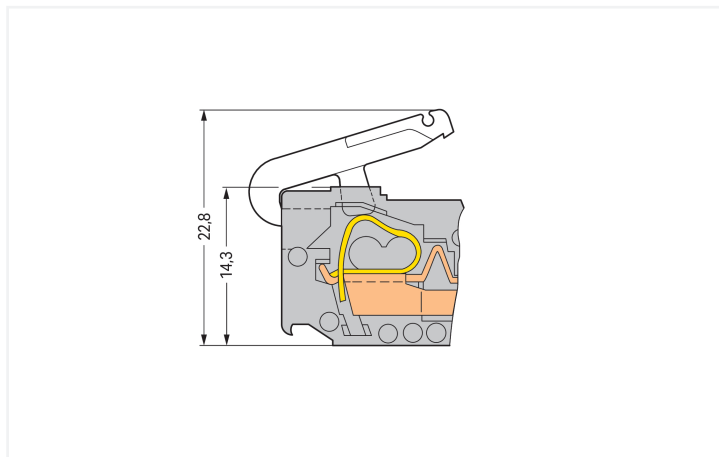


Data Sheet | Item Number: 231-131

Operating tool; made of insulating material; 1-way; loose; white

<https://www.wago.com/231-131>



Color: ■ white

Dimensions in mm

Operating levers are not suitable for panel-mount, angled female connectors.

Technical data

Number of spacings 1 -times

Physical data

Depth 20.2 mm / 0.79 inches

Pin spacing 5/7.62 mm

Mechanical data

Suitable for male and female connectors with CAGE CLAMP® connection

Material data

Color white

Material group I

Insulation material (main housing) Glass fiber-reinforced polyamide (PA66 GF)

Flammability class per UL94 HB

Fire load 0.001 MJ

Weight 0.3 g

Commercial data

Product Group 3 (Multi Conn. System)

PU (SPU) 100 (25) pcs

Packaging type Box

Country of origin DE

GTIN 4017332283168

Customs tariff number 82055980000

Product Classification	
UNSPSC	27111701
eCl@ss 10.0	27-14-11-92
eCl@ss 9.0	27-14-11-92
ETIM 9.0	EC002848
ETIM 10.0	EC002848
ECCN	NO US CLASSIFICATION

Environmental Product Compliance	
RoHS Compliance Status	Compliant, No Exemption

Processing temperature (min.)	-35 °C
Processing temperature (max.)	60 °C
Processing temperature	-35 ... +60 °C

Approvals / Certificates

General approvals	Approvals for marine applications
-------------------	-----------------------------------



Approval	Standard	Certificate Name
CSA DEKRA Certification B.V.	C22.2	1466354

Approval	Standard	Certificate Name
LR Lloyds Register	IEC 61984	96/20035 (E5)

Downloads

Environmental Product Compliance

Compliance Search
Environmental Product Compliance 231-131

CAD/CAE-Data

CAD data
2D/3D Models 231-131

CAE data
ZUKEN Portal 231-131

Installation Notes



Inserting a conductor into CAGE CLAMP® unit via operating tool (231-291).