

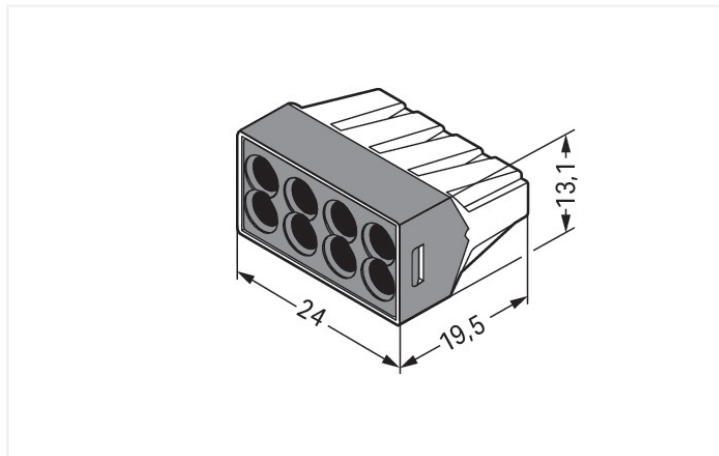
Data Sheet | Item Number: 773-108

PUSH WIRE® connector for junction boxes; for solid and stranded conductors; max. 2.5 mm²; 8-conductor; transparent housing; dark gray cover; Surrounding air temperature: max 60°C; 2,50 mm²; transparent

<https://www.wago.com/773-108>



Color: transparent



Dimensions in mm

Push wire® splicing connector, 773 Series, transparent

Enjoy convenient electrical installations with push wire® splicing connector (item number 773-108). The 773 Series PUSH WIRE® connectors for junction boxes provide safe, quick, and easy installations in any building, no matter the position or location. Ensure that the strip lengths are 12 mm when connecting conductors to push wire® splicing connector. This splicing connector has a rated voltage of 400 V and can handle currents up to 24 A, making it ideal for high-load applications. Featuring conductor terminals along with PUSH WIRE®, this product is highly versatile. Our PUSH WIRE® connection offers a quick and simple method for connecting solid conductors. The item's dimensions are (24 x 13.1 x 19.5) mm (width x height x depth). Depending on the conductor type, push wire® splicing connector is ideal for conductor cross sections ranging from 0.75 mm² to 2.5 mm².

The contact surface is coated with tin.

Notes

General safety information

NOTICE: Observe installation and safety instructions!

- **Only to be used by electricians!**
- Do not work under voltage/load!
- Use only for proper use!
- Observe national regulations/standards/guidelines!
- Observe technical specifications for the products!
- Observe the number of permissible potentials!
- Do not use damaged/dirty components!
- Observe conductor types, cross-sections and strip lengths!
- Insert conductor until it hits the product's backstop!
- Use original accessories!

To be sold only with installation instructions!

in grounded power lines

Safety Information

Electrical data

Ratings per	IEC/EN 60664-1		
Overvoltage category	III	III	II
Pollution degree	3	2	2
Nominal voltage	-	-	400 V
Rated impulse withstand voltage	-	-	4 kV
Rated current	-	-	24 A

General information

Wiring direction	Side-entry wiring
------------------	-------------------

Connection Data

Clamping units	8
Total number of potentials	1

Connection 1

Connection technology	PUSH WIRE®
Actuation type	Push-in
Connectable conductor materials	Copper Aluminum
Connectable conductor materials (note)	Terminating Aluminum Conductors (not for use in North America) WAGO Spring-Clamp Terminal Blocks are also suitable for solid aluminum conductors up to 4 mm ² /12 AWG if WAGO "Alu-Plus" Contact Paste 249-130 is used for termination.

"Alu-Plus" Contact Paste Advantages:

- Automatically destroys the oxide film during clamping.
- Prevents fresh oxidation at the clamping point.
- Prevents electrolytic corrosion between aluminum and copper conductors (in the same terminal block).
- Provides long-term protection against corrosion.

For spring pressure connections with PUSH WIRE® connection technology, **WAGO recommends that the aluminum conductor first be cleaned** and then immediately inserted into the clamping unit filled with "Alu-Plus" contact paste.

It is also possible to apply WAGO "Alu-Plus" **additionally** on the whole surface of the aluminum conductor before termination.

Please note that the nominal currents must be adapted to the reduced conductivity of the aluminum conductors:

2.5 mm² = 16 A
4 mm² = 22 A

Solid conductor	0.75 ... 2.5 mm ² / 18 ... 12 AWG
Stranded conductor	1.5 ... 2.5 mm ² / 16 ... 12 AWG
Note (conductor cross-section)	When using conductors of the same diameter, 0.75 mm ² /18 AWG cross-section is also possible.
Strip length	12 mm / 0.47 inches
Wiring direction	Side-entry wiring

Physical data

Width	24 mm / 0.945 inches
Height	13.1 mm / 0.516 inches
Depth	19.5 mm / 0.768 inches

Material data

Note (material data)	Information on material specifications can be found here
Color	transparent
Cover color	dark gray
Material group	IIIa
Insulation material (main housing)	Polycarbonate (PC)
Flammability class per UL94	V2
Clamping spring material	Chrome-nickel spring steel (CrNi)
Contact material	Electrolytic copper (E _{Cu})
Contact Plating	Tin
Fire load	0.099 MJ
Weight	4.6 g

Environmental requirements

Ambient temperature (operation)	+60 °C
Continuous operating temperature	105 °C

Commercial data

Product Group	7 (Push Wire Conn.)
PU (SPU)	500 (50) pcs
Packaging type	Box
Country of origin	CN
GTIN	4044918397735
Customs tariff number	85369010000

Product Classification

UNSPSC	39121409
eCl@ss 10.0	27-14-11-04
eCl@ss 9.0	27-14-11-04
ETIM 9.0	EC000446
ETIM 10.0	EC000446
ECCN	NO US CLASSIFICATION

Environmental Product Compliance

RoHS Compliance Status	Compliant, No Exemption
------------------------	-------------------------

Approvals / Certificates

General approvals



Approval	Standard	Certificate Name
CCA UL International Demko A/S	EN 60998	CCA-DK No. 2520
CSA DEKRA Certification B.V.	C22.2	15411 (LR46759)
KEMA/KEUR DEKRA Certification B.V.	EN 60998	71-101747
ÖVE Österreichischer Verband für Elektrotechnik	EN 60998	1193-031-09
UL UL International Germany GmbH	UL 486C	E69654
UL UL International Germany GmbH	EN 60998	D-03479-A1

Declarations of conformity and manufacturer's declarations

Approval	Standard	Certificate Name
EU-Declaration of Conformity WAGO GmbH & Co. KG	-	-
UK-Declaration of Conformity WAGO GmbH & Co. KG	-	-

Approvals for marine applications



Approval	Standard	Certificate Name
ABS American Bureau of Shipping	-	23-2417173-PDA
BV Bureau Veritas S.A.	EN 60998	11914/E0 BV
LR Lloyds Register	EN 60998	LR2446364TA
PRS Polski Rejestr Statków	EN 60998	TE/1093/880590/23

Downloads





Environmental Product Compliance

Compliance Search

Environmental Product Compliance 773-108



CAD/CAE-Data

CAD data	CAE data
2D/3D Models 773-108 	EPLAN Data Portal 773-108 
	WSCAD Universe 773-108 
	ZUKEN Portal 773-108 

1 Compatible Products

1.1 Optional Accessories

1.1.1 Mounting adapter

1.1.1.1 Mounting accessories

**Item No.: 773-332**

Mounting carrier; 773 Series - 2.5 mm² / 4 mm² / 6 mm²; for DIN-35 rail mounting/ screw mounting; orange

1.1.2 Tool

1.1.2.1 "Alu-Plus" contact paste

**Item No.: 249-130**

Syringe; Contents: 20 ml Alu contact paste