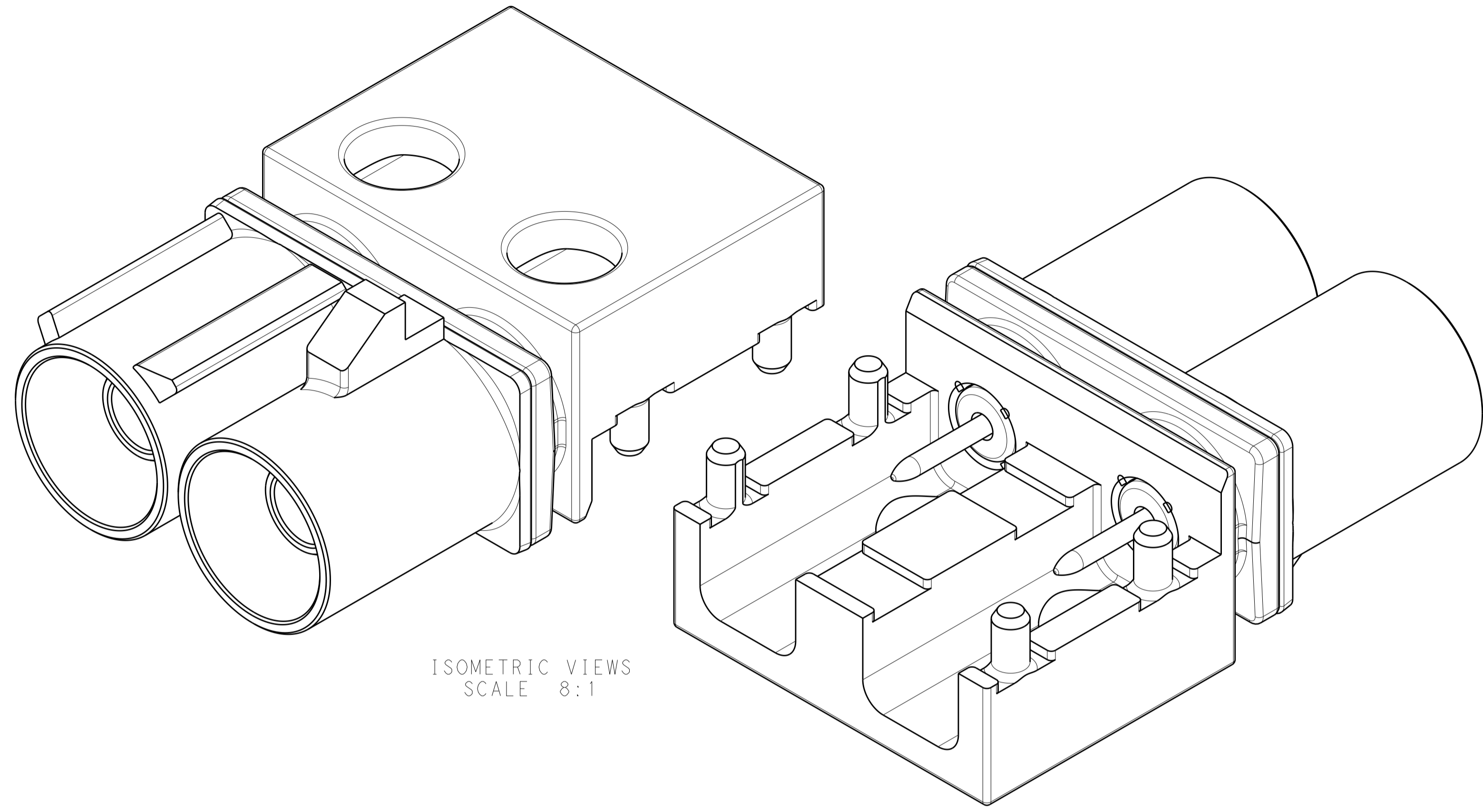


LOC	DIST	REVISIONS					
		P	LTN	DESCRIPTION	DATE	DWN	APVD
IN	00	G		REVISION PER ECO-16-001499	02FEB2016	ERL	ERL
		G1		REVISED PER ECO-16-006284	25APR2016	ERL	ERL
		H		REVISED PER ECO-16-009531	27JUN2016	JAB	ERL
		H1		ECO-20-000275	28JAN2020	KP	MB



ISOMETRIC VIEWS  
SCALE 8:1

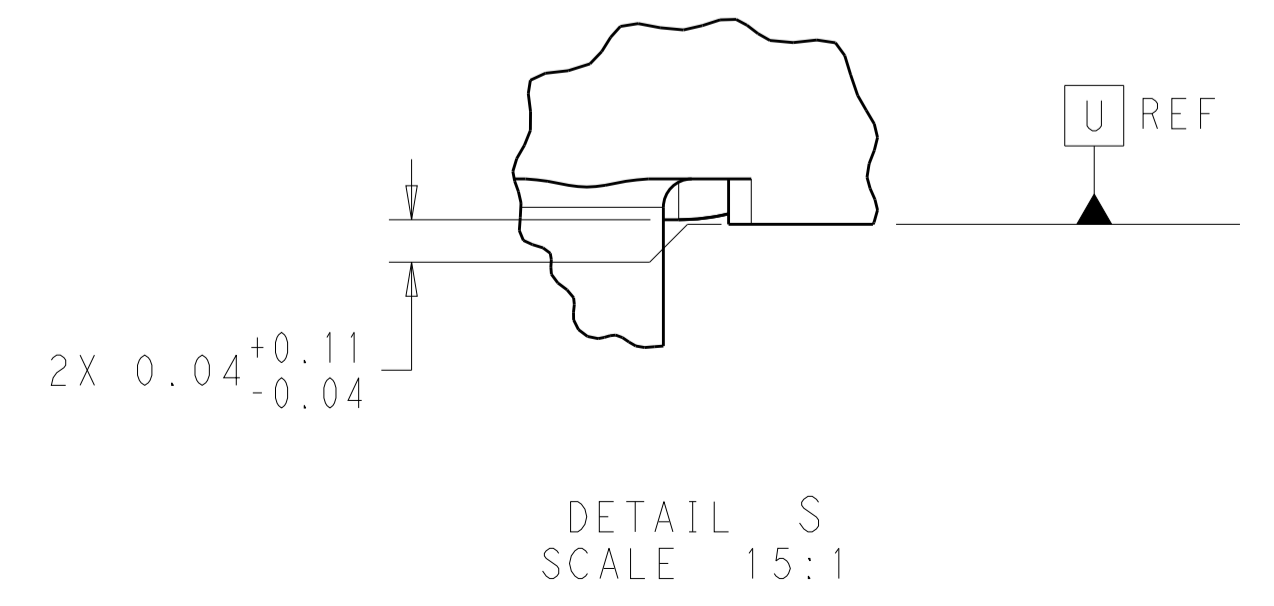
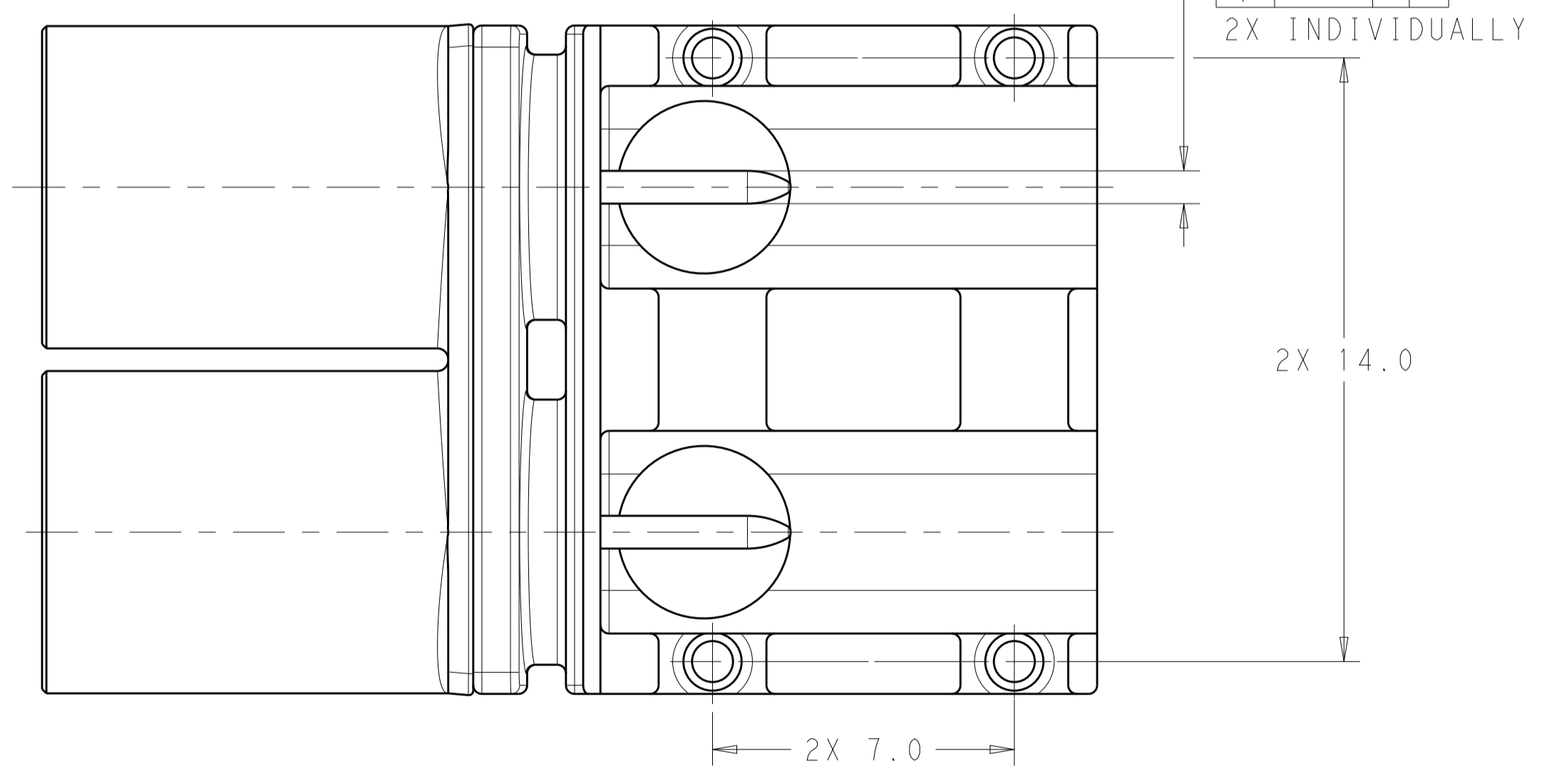
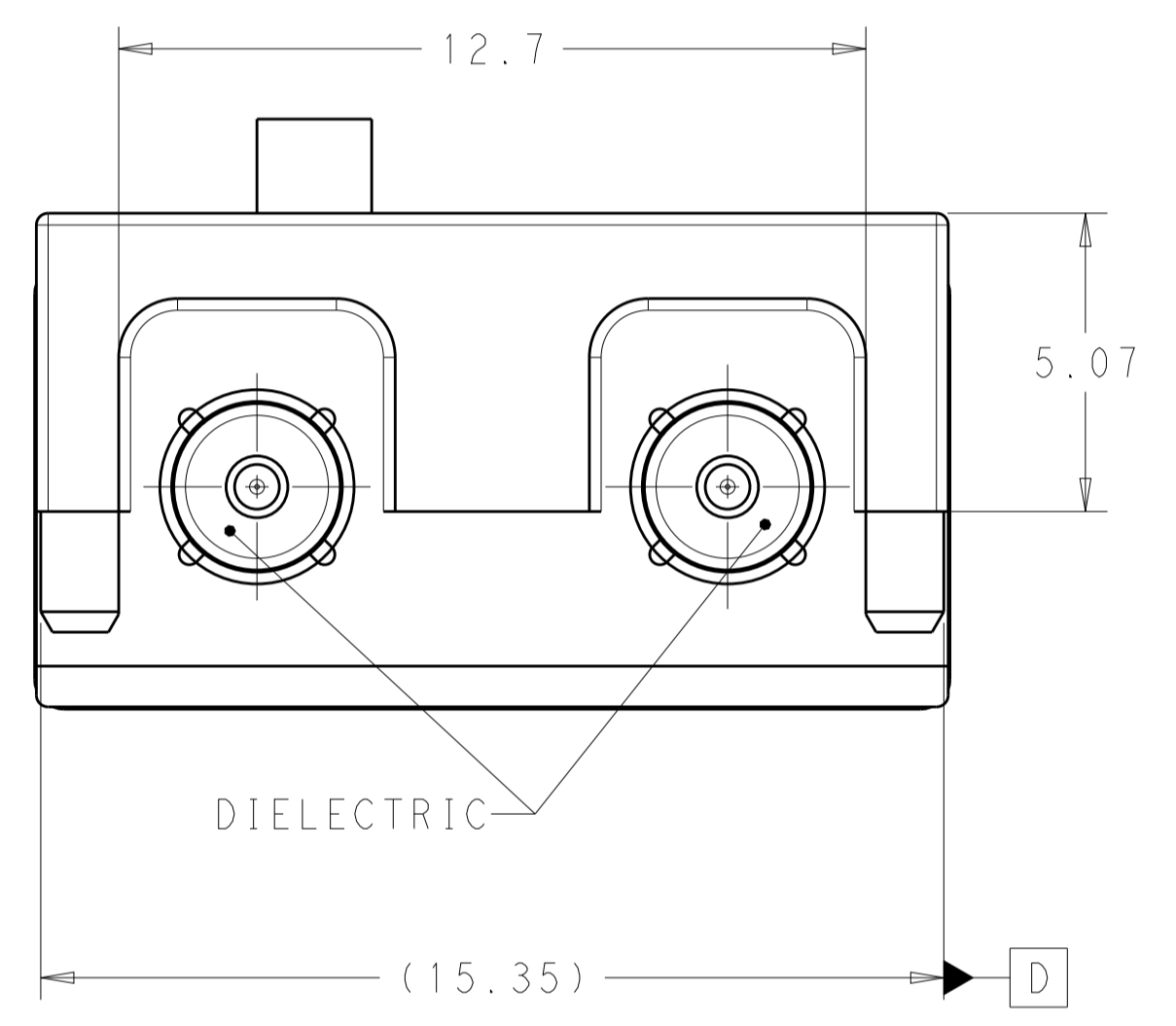
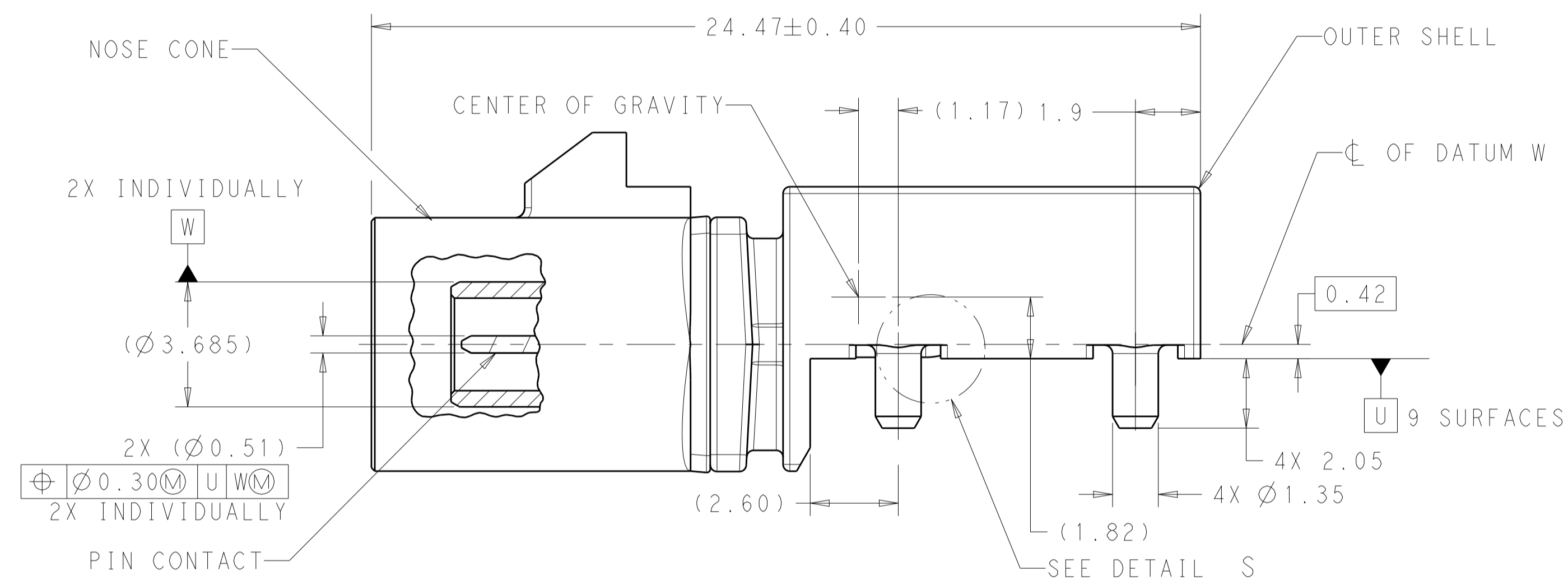
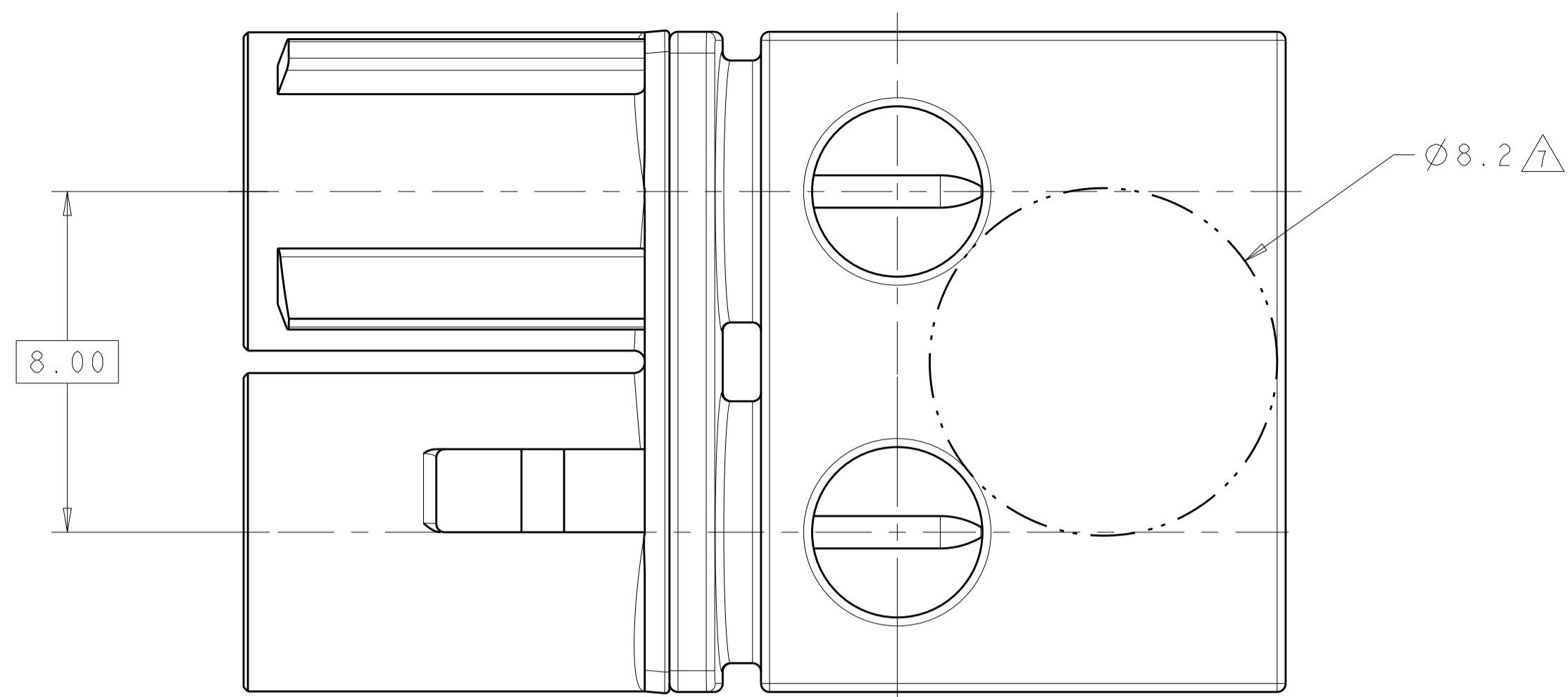
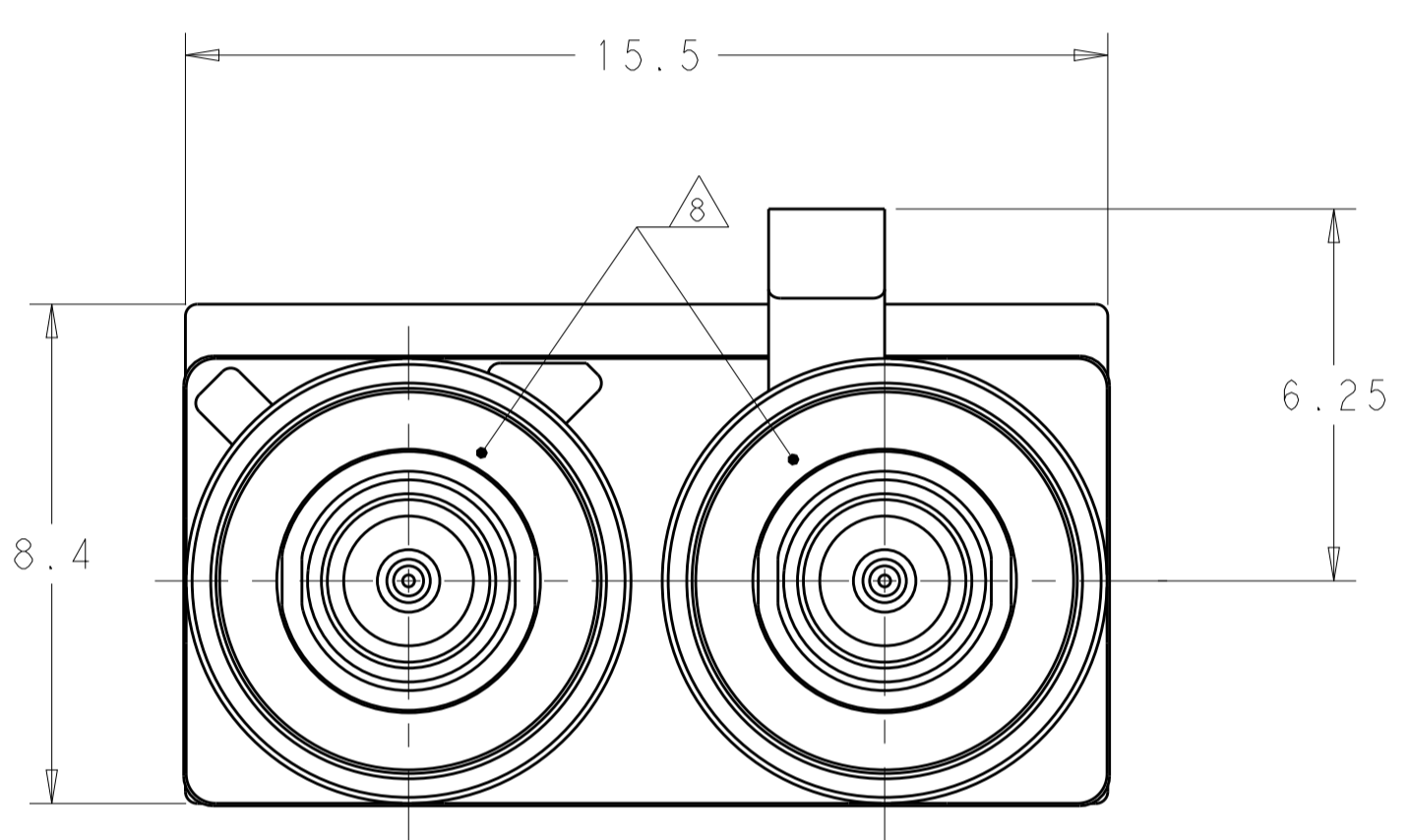
- ▲ NOSE CONE - NYLON, COLOR: SEE TABLE, 25% GLASS FILLED.  
DIELECTRIC - POLYESTER PCT, NATURAL, 30% GLASS FILLED.  
PIN CONTACT - BRASS.  
OUTER SHELL - ZINC.
- ▲ PIN CONTACT - 0.38µm MIN GOLD ON INTERFACE END,  
2.5µm MIN TIN ON SOLDER END,  
BOTH OVER 1.3µm MIN NICKEL.  
OUTER SHELL - 2.0µm MIN TIN OVER 1.52µm MIN NICKEL,  
BOTH OVER 2.54µm MIN COPPER.
- ▲ REMOVED
- ▲ MINIMUM SIGNAL PAD FOR SOLDER.
- ▲ MINIMUM RECOMMENDED GROUND PLANE.
- ▲ SIGNAL DIMENSION TRACE RECOMMENDED FOR OPTIMUM SIGNAL PERFORMANCE.
- ▲ VACUUM PICKUP AREA.
- ▲ MALE INTERFACE PER SAE/USCAR-18 REVISION 3, ROAD VEHICLES 50 Ohm RADIO FREQUENCY INTERFACE.
- ▲ REELING VIEW FOR REFERENCE ONLY TO SHOW UNREELING DIRECTION

FINISH	PACKAGING	CODING DETAIL	NOSE CONE COLOR	CODING REF	PART NUMBER
▲	TAPE AND REEL	PER DETAIL Z	WATER BLUE	Z	7-2287923-0
		PER DETAIL N	PASTEL GREEN	N	6-2287923-3
		PER DETAIL M	PASTEL ORANGE	M	6-2287923-2
		PER DETAIL L	CARMINE RED	L	6-2287923-1
		PER DETAIL K	CURRY	K	6-2287923-0
		PER DETAIL I	BEIGE	I	5-2287923-9
		PER DETAIL H	HEATHER VIOLET	H	5-2287923-8
		PER DETAIL G	BLUE GREY	G	5-2287923-7
		PER DETAIL F	NUT BROWN	F	5-2287923-6
		PER DETAIL E	LEAF GREEN	E	5-2287923-5
		PER DETAIL D	CLARET VIOLET	D	5-2287923-4
		PER DETAIL C	SIGNAL BLUE	C	5-2287923-3
		PER DETAIL B	CREAM	B	5-2287923-2
		PER DETAIL A	JET BLACK	A	5-2287923-1
▲	TRAY	PER DETAIL Z	WATER BLUE	Z	2-2287923-0
		PER DETAIL N	PASTEL GREEN	N	1-2287923-3
		PER DETAIL M	PASTEL ORANGE	M	1-2287923-2
		PER DETAIL L	CARMINE RED	L	1-2287923-1
		PER DETAIL K	CURRY	K	1-2287923-0
		PER DETAIL I	BEIGE	I	2287923-9
		PER DETAIL H	HEATHER VIOLET	H	2287923-8
		PER DETAIL G	BLUE GREY	G	2287923-7
		PER DETAIL F	NUT BROWN	F	2287923-6
		PER DETAIL E	LEAF GREEN	E	2287923-5
		PER DETAIL D	CLARET VIOLET	D	2287923-4
		PER DETAIL C	SIGNAL BLUE	C	2287923-3
		PER DETAIL B	CREAM	B	2287923-2
		PER DETAIL A	JET BLACK	A	2287923-1

THIS DRAWING IS A CONTROLLED DOCUMENT.

DIMENSIONS:	TOLERANCES UNLESS OTHERWISE SPECIFIED:	DWN J.A.BAKER 30SEP2014	STC Connectivity NAME MALE ASSEMBLY, 2 POSITION, 12 O'CLOCK, EDGE MOUNT, PCB, FAKRA PRODUCT SPEC 108-32058 APPLICATION SPEC 114-32108 WEIGHT 6.23g CUSTOMER DRAWING
mm	0 PLC ±0.2	CHK D.J.LANE 30SEP2014	
	1 PLC ±0.08	APVD D.J.LANE 30SEP2014	
	2 PLC ±0.08		
	3 PLC ±0.08		SIZE CAGE CODE DRAWING NO RESTRICTED TO
	4 PLC ±0.08		A100779C=2287923
MATERIAL	FINISH		SCALE 8:1 SHEET 1 OF 3 REV H1
	SEE TABLE		

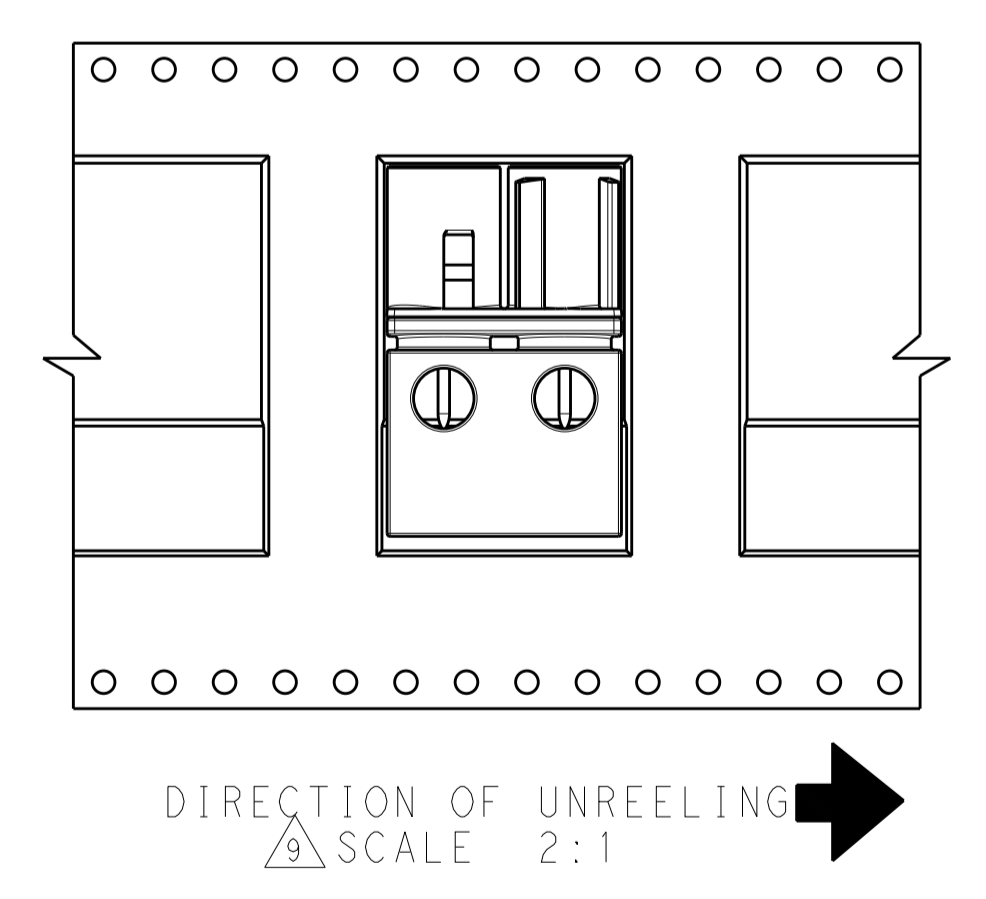
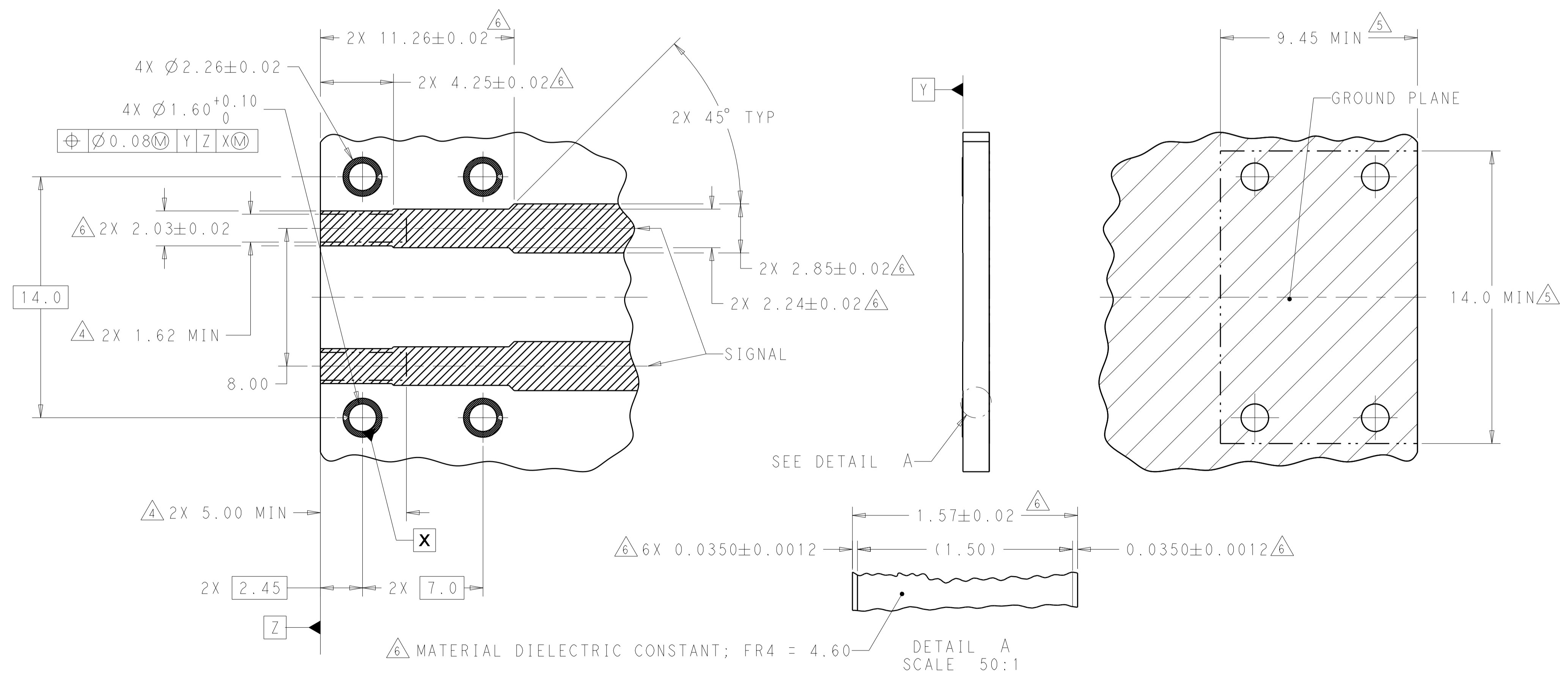
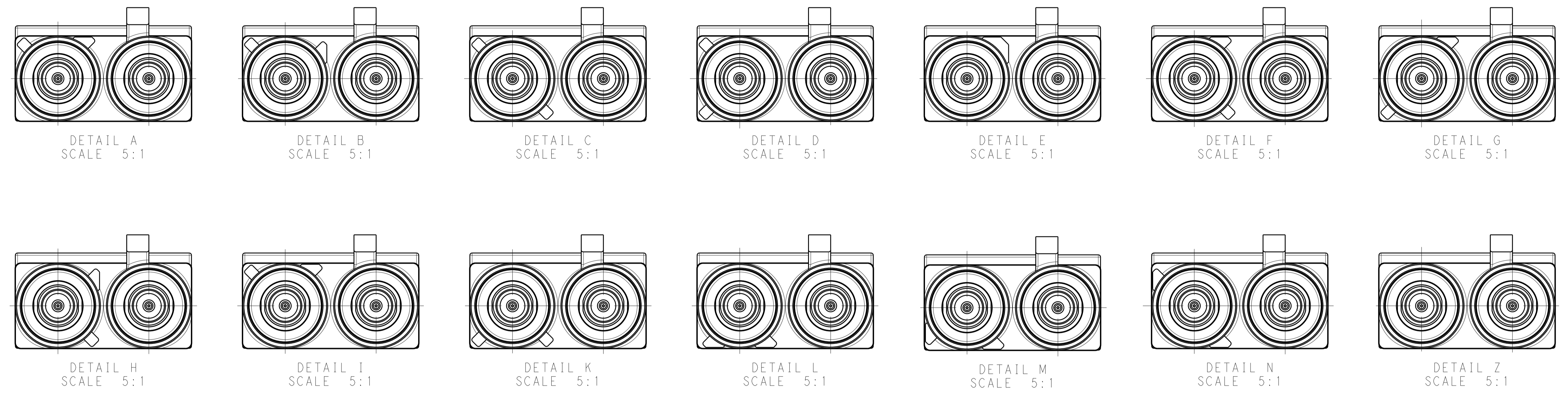
LOC		DIST		REVISIONS			
IN	00	P	LTN	DESCRIPTION	DATE	DMN	APVD
		-		SEE SHEET 1			



THIS DRAWING IS A CONTROLLED DOCUMENT.		DMN J.A.BAKER 30SEP2014	TE Connectivity <b>MALE ASSEMBLY, 2 POSITION, 12 O'CLOCK, EDGE MOUNT, PCB, FAKRA</b>
DIMENSIONS:		CHK D.J.LANE 30SEP2014	
mm		APVD D.J.LANE 30SEP2014	
0 PLC ± 1 PLC ±0.2 2 PLC ±0.08 3 PLC ± 4 PLC ± ANGLES ±		NAME	
TOLERANCES UNLESS OTHERWISE SPECIFIED:		PRODUCT SPEC	SIZE
SEE TABLE		APPLICATION SPEC	CAGE CODE
MATERIAL		114-32108	DRAWING NO
FINISH		WEIGHT 6.23g	RESTRICTED TO
		CUSTOMER DRAWING	A100779C=2287923
		SCALE 8:1	SHEET 2 OF 3
			REV HI

LOC	DIST	REVISIONS			
P	LTN	DESCRIPTION	DATE	DWN	APVD
-	-	SEE SHEET 1	-	-	-

### CODINGS



THIS DRAWING IS A CONTROLLED DOCUMENT.		DWN J.A.BAKER 30SEP2014	TE Connectivity
DIMENSIONS:		CHK D.J.LANE 30SEP2014	
TOLERANCES UNLESS OTHERWISE SPECIFIED:		APVD D.J.LANE 30SEP2014	
mm		NAME	
0 PLC	±	PRODUCT SPEC	MALE ASSEMBLY, 2 POSITION, 12 O'CLOCK, EDGE MOUNT, PCB, FAKRA
1 PLC	±0.2	APPLICATION SPEC	SIZE CAGE CODE DRAWING NO RESTRICTED TO
2 PLC	±0.08	114-32108	A100779C=2287923
3 PLC	±	WEIGHT 6.23g	SCALE 8:1 SHEET 3 OF 3 REV HI
4 PLC	±	CUSTOMER DRAWING	
ANGLES	±		
MATERIAL	FINISH		
	SEE TABLE		