

4

3

2

1

THIS DRAWING IS UNPUBLISHED. RELEASED FOR PUBLICATION
 © COPYRIGHT - By - ALL RIGHTS RESERVED.

REVISIONS				
P	LTR	DESCRIPTION	DATE	APVD
29		REVISED PER ECR-19-011318	14OCT2019	D.Z S.L

146.28^{+0.80}_{-0.20}
 PIN 145
 CENTER LINE OF 133.75 FEATURE
 1.40±0.03
 KEY
 PIN 288
 1.58^{+0.05}_{-0.07}
 PIN 144
 64.60
 4.30
 1.65
 56.10
 OUTER LOCUS OF CONNECTOR CONTACT PIN

0.5-0.1
 2 PLC
 2.05
 2 PLC
 0.75
 DETAIL B SCALE:4:1
 BUMPER BLOCK ON EACH SIDE

CONTACT AREA
 2.25±0.15
 1.6
 5.4
 SEC A-A
 SCALE:2:1

162.0 MAX.(LATCH OPEN)
 133.75±0.10
 130.4±0.20
 128.6 Min.
 Ø 0.10 A B
 3.90 Max
 LOGO
 5.575
 DATE CODE
 DETAIL B
 2.25±0.15
 0.40±0.10
 3 PLC
 0.85
 TYP.
 5.95
 64.60
 74.55
 3.65±0.05
 56.10
 63.40
 0.28
 288 PLC
 140.80^{+0.45}_{-0.05}
 2X 5.00 Min
 2X 14.50 Min
 2X 21.30 Max
 2X 10.00 Min
 COMPONENT KEEP OUT ZONE

DIM.L±0.25
 288 PLC
 DIM.H±0.25
 3 PLC
 6.30±0.10
 20.95
 2.50 min
 3 PLC
 2.38
 6.30±0.10

NOTES:

PRODUCT MEET CONTROLLED SUBSTANCES SPEC. ROHS 2.0

- MATERIAL:
 - HOUSING: HIGH TEMPERATURE THERMOPLASTIC, UL94 V-0
 - LATCH: HIGH TEMPERATURE THERMOPLASTIC, UL94 V-0
 - CONTACT: COPPER ALLOY
 - BOARD LOCK: STAINLESS STEEL
- INTERFACE FINISH:
 - 0.00038 MIN THK GOLD OVER 0.00127 MIN THK NICKEL.
 - GOLD FLASH OVER 0.00127 MIN THK NICKEL.
 - 0.00076 MIN THK GOLD OVER 0.00127 MIN THK NICKEL
- SOLDER AREA: 2.54um[100u"] MIN. MATTE TIN PLATING.
- WAVE SOLDER CAPABLE TO 270°C 10S.
- KEEP OUT AREA RESERVED FOR SOCKET EXTRACTORS, BOTH ENDS.
- SLOT LENGTH SHOULD BE INSPECTED AFTER SOLDERING.

DUAL LONG LATCH

THIS DRAWING IS A CONTROLLED DOCUMENT.		DWN DAVID ZHAO 15AUG2016	TE Connectivity	
DIMENSIONS: mm		CHK SIMON LI 15AUG2016		
TOLERANCES UNLESS OTHERWISE SPECIFIED:		APVD COREL WANG 15AUG2016	NAME	
0 PLC ± -		PRODUCT SPEC	SOCKET ASSEMBLY	
1 PLC ± ± 0.25		APPLICATION SPEC	DDR4 DIMM,T/H TYPE	
2 PLC ± ± 0.15		108-115124	288 POSITION	
3 PLC ± ± -0.10			SIZE	CAGE CODE
4 PLC ± ± -			A2	00779
ANGLES ± ± -		WEIGHT 7.3g	DRAWING NO	RESTRICTED TO
FINISH		CUSTOMER DRAWING	C=2308107	-
		SCALE 1:1	SHEET 1 of 8	REV 29

1471-9 (1/15)

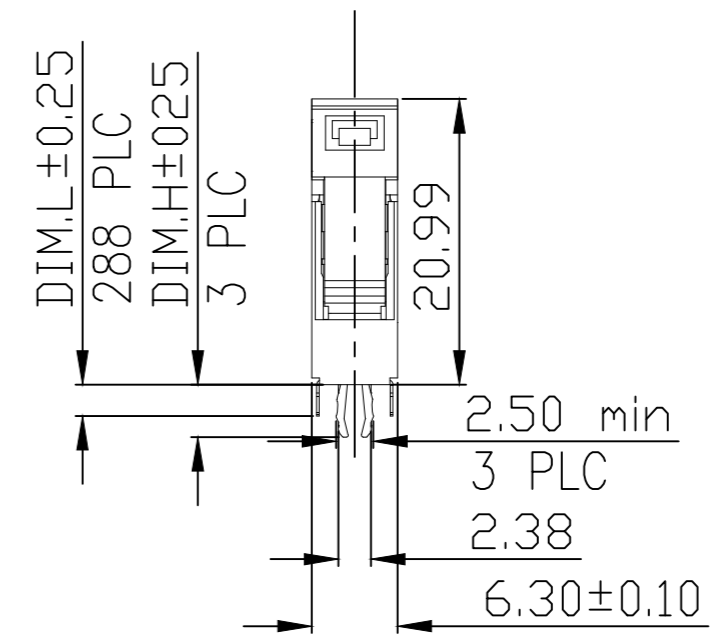
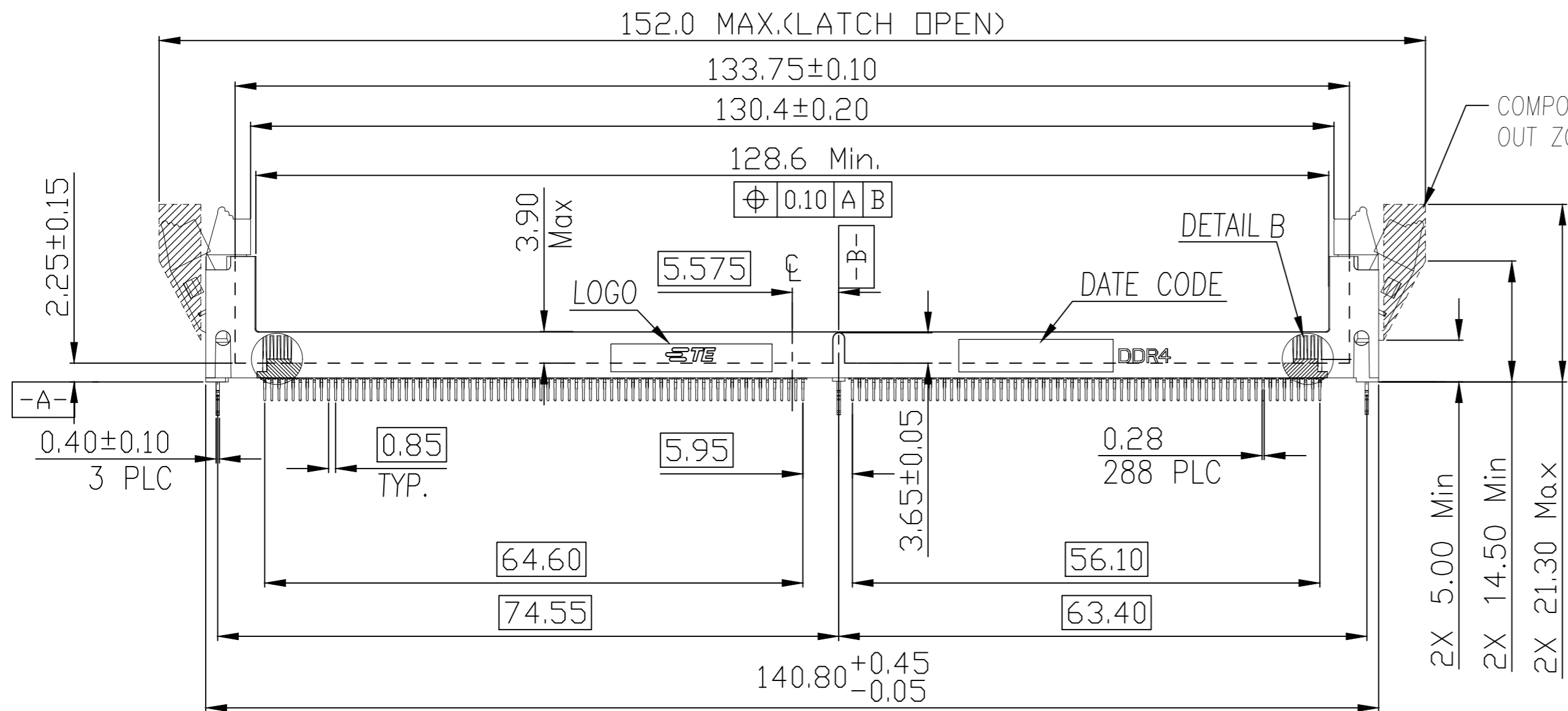
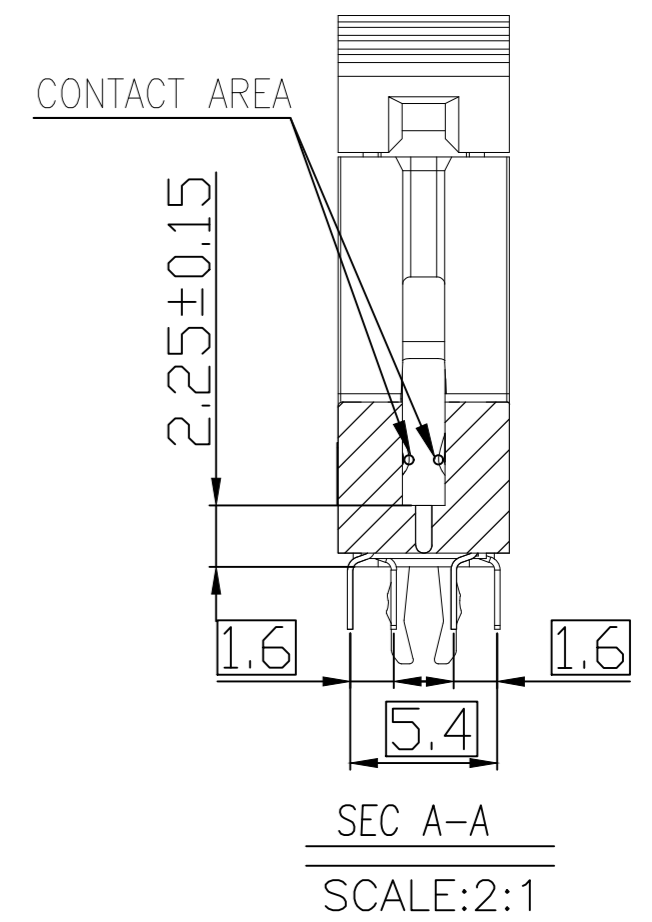
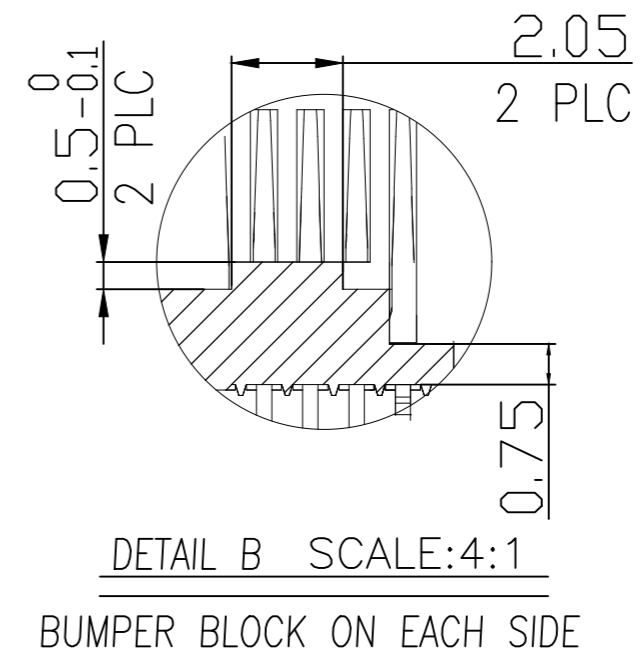
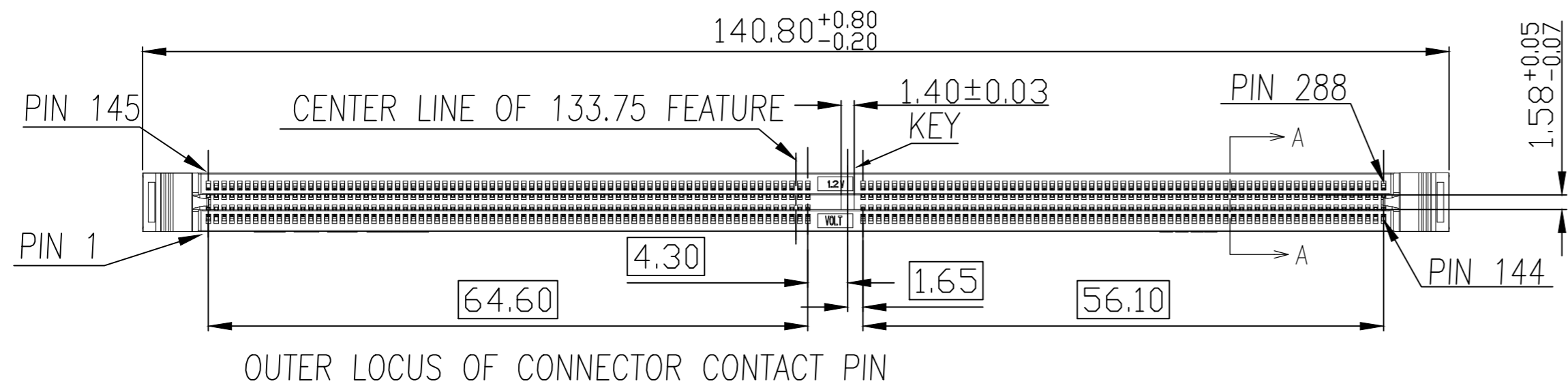
2308107

A

Downloaded from Arrow.com

THIS DRAWING IS UNPUBLISHED. RELEASED FOR PUBLICATION
 © COPYRIGHT - By - ALL RIGHTS RESERVED.

REVISIONS					
P	LTR	DESCRIPTION	DATE	DWN	APVD
-	-	SEE SHEET 1	-	-	-




DUAL SHORT LATCH


THIS DRAWING IS A CONTROLLED DOCUMENT.		DWN DAVID ZHAO 15AUG2016			RESTRICTED TO		
DIMENSIONS: mm		CHK SIMON LI 15AUG2016			NAME		-
TOLERANCES UNLESS OTHERWISE SPECIFIED:		APVD COREL WANG 15AUG2016	PRODUCT SPEC		SOCKET ASSEMBLY		
0 PLC ± -		108-115124		DDR4 DIMM,T/H TYPE		288 POSITION	
1 PLC ± 0.25		APPLICATION SPEC		SIZE A2		CAGE CODE 00779	
2 PLC ± 0.15		WEIGHT 7.0g		DRAWING NO C=2308107		REV 29	
3 PLC ± -0.10		CUSTOMER DRAWING		SCALE 1:1		SHEET 2 of 8	
4 PLC ± -							
ANGLES ± -							
FINISH							

THIS DRAWING IS UNPUBLISHED. RELEASED FOR PUBLICATION
 © COPYRIGHT - By - ALL RIGHTS RESERVED.


REVISIONS					
P	LTR	DESCRIPTION	DATE	DWN	APVD
-	-	SEE SHEET 1	-	-	-

HARD TRAY	NATURAL	BLACK	30u"	3.85	3.18	7-2308107-2
SOFT TRAY I	BLUE<2935U>	BLUE<2935U>	15u"	3.57	2.67	7-2308107-1
SOFT TRAY I	NATURAL	BLUE<2935U>	30u"	3.85	3.18	7-2308107-0
SOFT TRAY I	BLACK_260°C	BLACK_260°C	15u"	3.57	2.67	6-2308107-8
SOFT TRAY I	NATURAL	NATURAL	15u"	3.85	3.18	6-2308107-7
SOFT TRAY I	NATURAL	BLACK	15u"	3.57	2.40	6-2308107-6
SOFT TRAY I	NATURAL	BLUE<2935U>	15u"	3.85	3.18	6-2308107-5
SOFT TRAY I	NATURAL	BLACK	15u"	3.85	3.18	6-2308107-4
SOFT TRAY I	NATURAL	BLACK	30u"	3.57	2.67	6-2308107-3
SOFT TRAY I	NATURAL	NATURAL	30u"	3.85	3.18	6-2308107-2
SOFT TRAY I	GREEN<375C>	BLACK	30u"	3.85	3.18	6-2308107-1
SOFT TRAY I	NATURAL	BLACK	30u"	3.85	3.18	6-2308107-0
SOFT TRAY II	BLACK	BLACK	30u"	3.85	3.18	5-2308107-9
SOFT TRAY I	NATURAL	NATURAL	30u"	3.57	2.10	5-2308107-8
SOFT TRAY I	BLACK	BLACK	30u"	3.57	2.10	5-2308107-7
SOFT TRAY I	BLACK	BLACK	30u"	3.57	2.67	5-2308107-6
SOFT TRAY I	NATURAL	NATURAL	30u"	3.57	2.67	5-2308107-5
SOFT TRAY I	BLACK	BLACK	15u"	3.57	2.67	5-2308107-4
SOFT TRAY I	NATURAL	NATURAL	15u"	3.57	2.67	5-2308107-3
SOFT TRAY I	NATURAL	BLUE<2935U>	15u"	3.57	2.67	5-2308107-2
SOFT TRAY I	NATURAL	BLACK	15u"	3.57	2.67	5-2308107-1
PACKING	LATCH COLOR	HOUSING COLOR	CONTACT GOLD INTERFACE 	DIM H	DIM L	PART NUMBER

SHORT LATCH TYPE

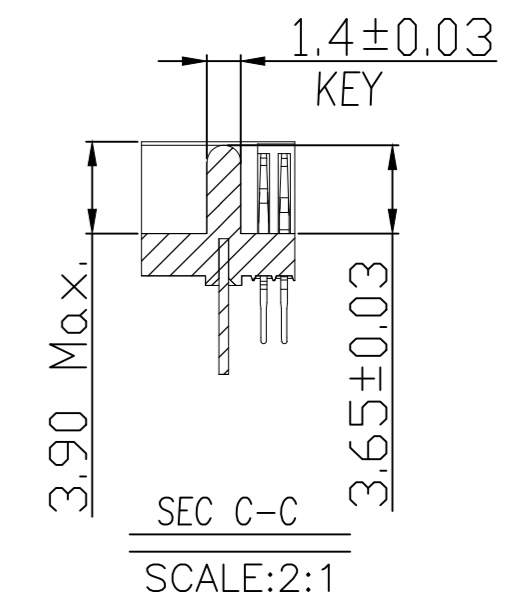
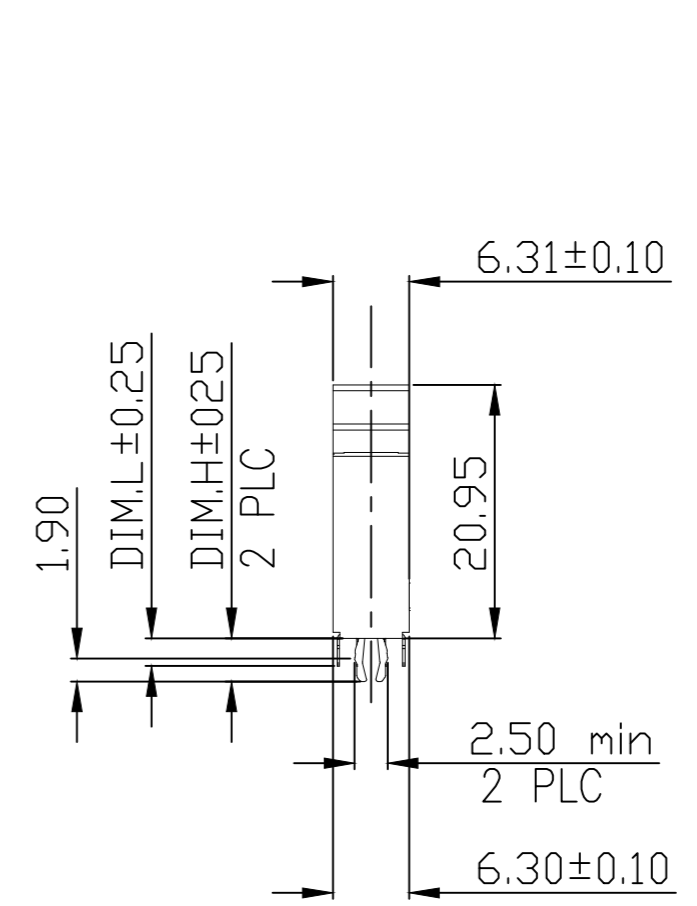
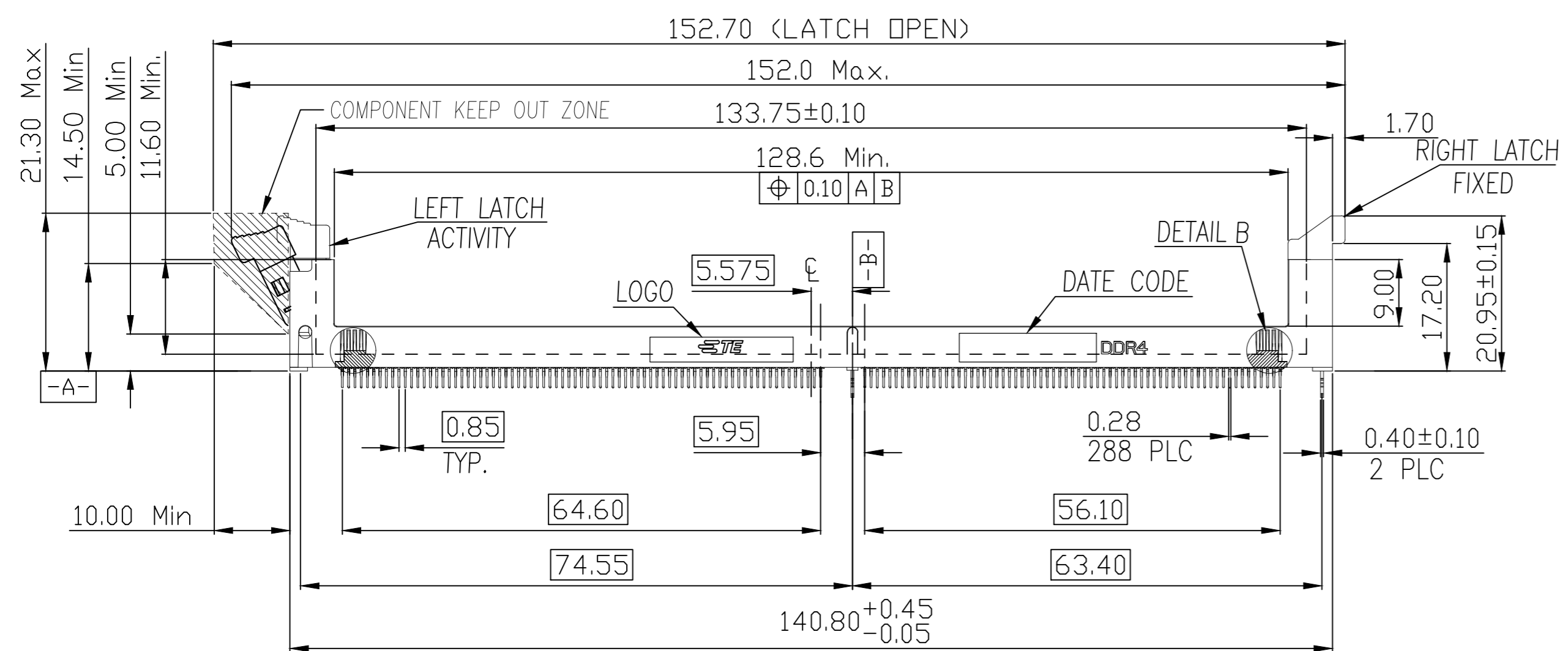
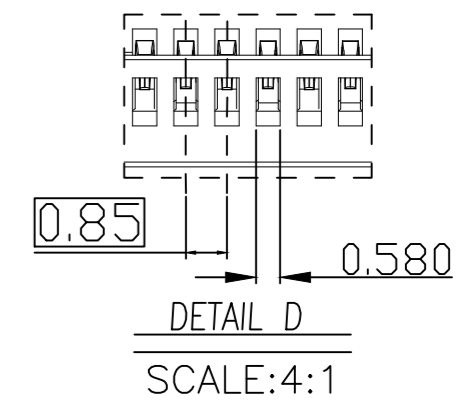
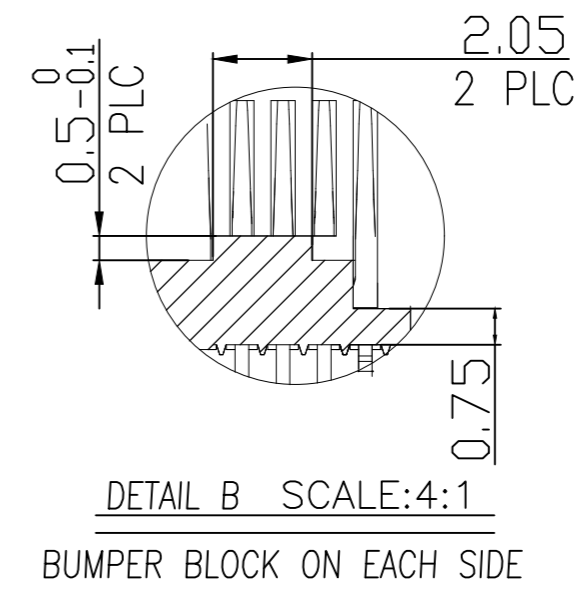
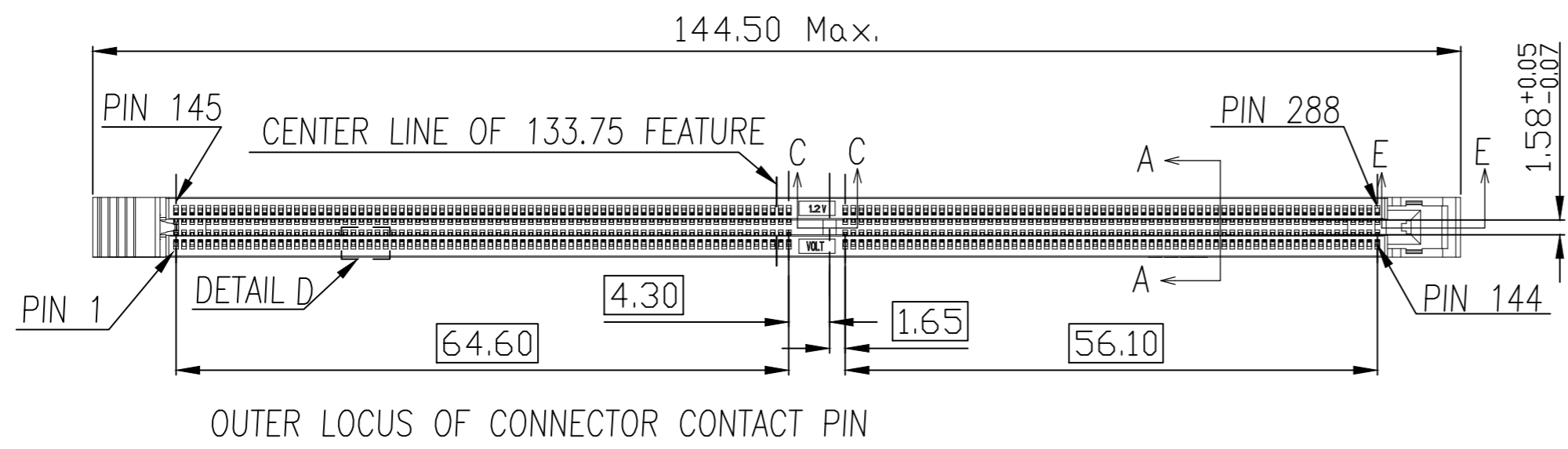
SOFT TRAY I	NATURAL_260°C	BLUE<2935U>_260°C	30u"	3.00	2.40	4-2308107-9
SOFT TRAY I	NATURAL_260°C	BLACK_260°C	30u"	3.00	2.40	4-2308107-8
HARD TRAY	NATURAL_260°C	BLACK_260°C	15u"	3.57	2.67	4-2308107-7
SOFT TRAY I	BLUE<2935U>	BLUE<2935U>	30u"	3.57	2.67	4-2308107-6
SOFT TRAY I	NATURAL	BLUE<2935U>	30u"	3.85	3.18	4-2308107-5
SOFT TRAY I	NATURAL	YELLOW<107C>	15u"	3.57	2.67	4-2308107-4
SOFT TRAY I	BLACK	BLACK	15u"	3.57	2.67	4-2308107-3
SOFT TRAY I	BLUE<2935U>	BLUE<2935U>	30u"	3.85	3.18	4-2308107-2
HARD TRAY	BLUE<2935U>_260°C	BLUE<2935U>_260°C	15u"	3.85	3.18	4-2308107-1
HARD TRAY	BLACK_260°C	BLACK_260°C	15u"	3.85	3.18	4-2308107-0
SOFT TRAY I	NATURAL	YELLOW<107C>	30u"	3.57	2.67	3-2308107-5
SOFT TRAY I	NATURAL	YELLOW<107C>	30u"	3.57	2.40	3-2308107-1
SOFT TRAY I	NATURAL	BLACK	30u"	3.57	2.40	3-2308107-0
SOFT TRAY I	NATURAL	BLACK	15u"	3.57	2.67	2-2308107-7
SOFT TRAY I	NATURAL	BLUE<2935U>	15u"	3.57	2.67	2-2308107-4
SOFT TRAY I	NATURAL	BLACK	30u"	3.57	2.40	2-2308107-3
SOFT TRAY I	NATURAL	BLACK	30u"	3.85	3.18	2-2308107-2
SOFT TRAY I	NATURAL	BLACK	15u"	3.57	2.40	2-2308107-1
SOFT TRAY I	BLUE<2935U>	BLUE<2935U>	15u"	3.85	3.18	2-2308107-0
SOFT TRAY I	GREEN<375C>	GREEN<375C>	15u"	3.85	3.18	1-2308107-9
SOFT TRAY I	NATURAL	NATURAL	15u"	3.85	3.18	1-2308107-8
SOFT TRAY I	BLACK	BLACK	15u"	3.85	3.18	1-2308107-7
SOFT TRAY I	BLACK	BLACK	30u"	3.57	2.10	1-2308107-6
SOFT TRAY I	NATURAL	BLACK	30u"	3.57	2.10	1-2308107-5
SOFT TRAY I	GREEN<375C>	BLACK	30u"	3.57	2.10	1-2308107-4
SOFT TRAY I	BLACK	BLACK	30u"	3.57	2.67	1-2308107-3
SOFT TRAY I	NATURAL	BLACK	30u"	3.57	2.67	1-2308107-2
SOFT TRAY I	GREEN<375C>	BLACK	30u"	3.57	2.67	1-2308107-1
SOFT TRAY I	NATURAL	BLACK	15u"	3.57	2.10	1-2308107-0
SOFT TRAY I	NATURAL	BLUE<2935U>	15u"	3.57	2.10	2308107-9
SOFT TRAY I	NATURAL	GREEN<375C>	15u"	3.57	2.10	2308107-8
SOFT TRAY I	NATURAL	BLACK	15u"	3.85	3.18	2308107-7
SOFT TRAY I	NATURAL	BLUE<2935U>	15u"	3.85	3.18	2308107-6
SOFT TRAY I	NATURAL	NATURAL	30u"	3.57	2.40	2308107-5
SOFT TRAY I	BLACK	BLACK	30u"	3.57	2.40	2308107-4
SOFT TRAY I	NATURAL	GREEN<375C>	15u"	3.57	2.40	2308107-3
SOFT TRAY I	NATURAL	BLUE<2935U>	15u"	3.57	2.40	2308107-2
SOFT TRAY I	BLACK	BLACK	15u"	3.57	2.40	2308107-1
PACKING	LATCH COLOR	HOUSING COLOR	CONTACT GOLD INTERFACE 	DIM H	DIM L	PART NUMBER

LONG LATCH TYPE

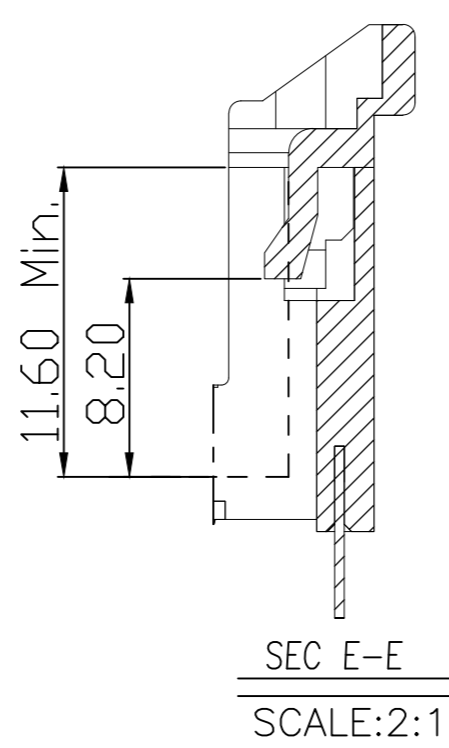
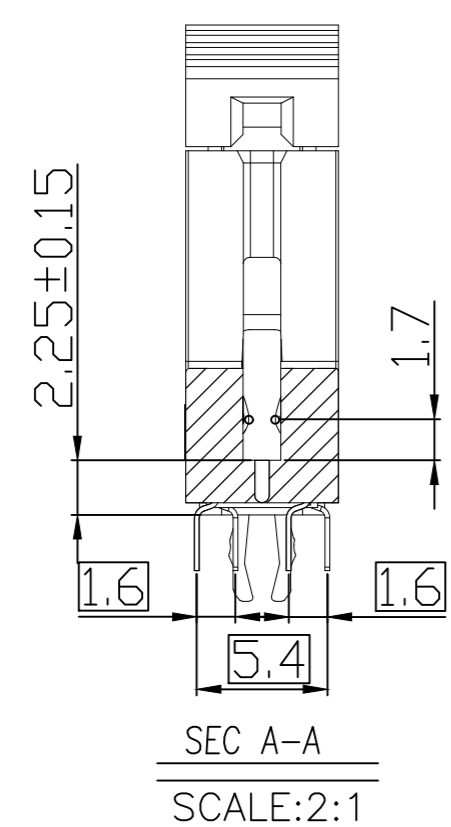
THIS DRAWING IS A CONTROLLED DOCUMENT.		DWN DAVID ZHAO 15AUG2016		TE Connectivity	
DIMENSIONS: mm		CHK SIMON LI 15AUG2016		NAME	
TOLERANCES UNLESS OTHERWISE SPECIFIED:		APVD COREL WANG 15AUG2016	PRODUCT SPEC		
0 PLC ± -		APPLICATION SPEC			
1 PLC ± 0.25		108			
2 PLC ± 0.15		WEIGHT -			
3 PLC ± -0.10		SIZE A2 CAGE CODE 00779			
4 PLC ± -		DRAWING NO C=2308107			
ANGLES ± -		RESTRICTED TO -			
FINISH -		SCALE 1:1 SHEET 3 of 8 REV 29			
MATERIAL -		CUSTOMER DRAWING			

THIS DRAWING IS UNPUBLISHED. RELEASED FOR PUBLICATION
 © COPYRIGHT - By - ALL RIGHTS RESERVED.

REVISIONS					
P	LTR	DESCRIPTION	DATE	DWN	APVD
-	-	SEE SHEET 1	-	-	-



LEFT ACTIVITY LATCH

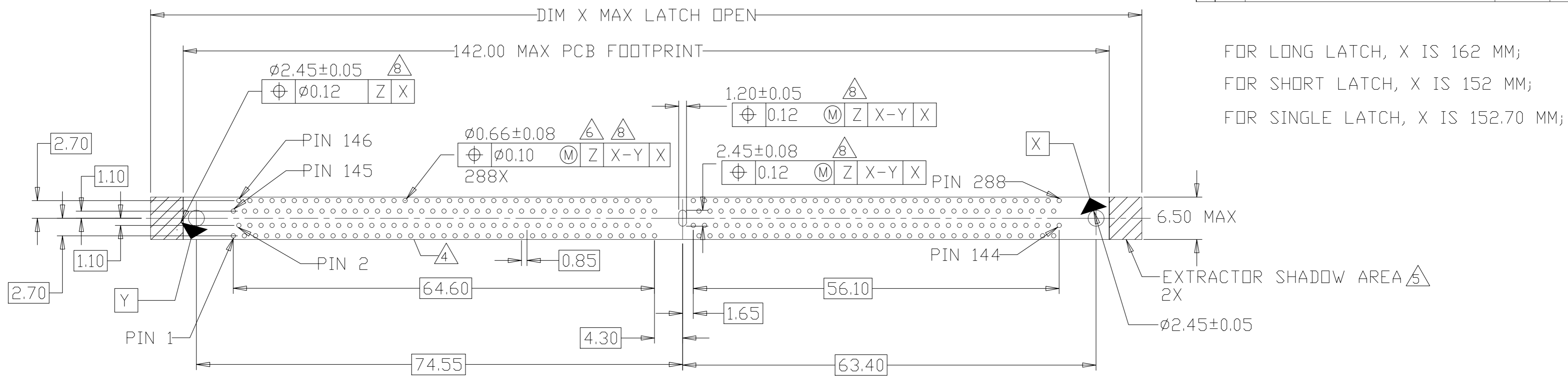


NATURAL	NATURAL	BLUE(2935U)	15u" MIN.	3.85	2.67	9-2308107-2
FIXED LATCH COLOR	ACTIVITY LATCH COLOR	BLACK	CONTACT GOLD INTERFACE	3.85	2.67	9-2308107-1
		HOUSING COLOR		DIM H	DIM L	PART NUMBER

THIS DRAWING IS A CONTROLLED DOCUMENT.		DWN DAVID ZHAO 15AUG2016				
DIMENSIONS: mm		CHK SIMON LI 15AUG2016				
TOLERANCES UNLESS OTHERWISE SPECIFIED:		APVD COREL WANG 15AUG2016	NAME			
0 PLC ± -	1 PLC ± 0.25	PRODUCT SPEC	SOCKET ASSEMBLY			
2 PLC ± 0.15	3 PLC ± -0.10	APPLICATION SPEC	DDR4 DIMM,T/H TYPE			
4 PLC ± -	ANGLES ± -	108-115124	288 POSITION			
MATERIAL	FINISH	WEIGHT 7.6g	SIZE A2	CAGE CODE 00779	DRAWING NO C=2308107	RESTRICTED TO
		CUSTOMER DRAWING	SCALE 1:1	SHEET 4 of 8	REV 29	

THIS DRAWING IS UNPUBLISHED. RELEASED FOR PUBLICATION
 © COPYRIGHT - By - ALL RIGHTS RESERVED.

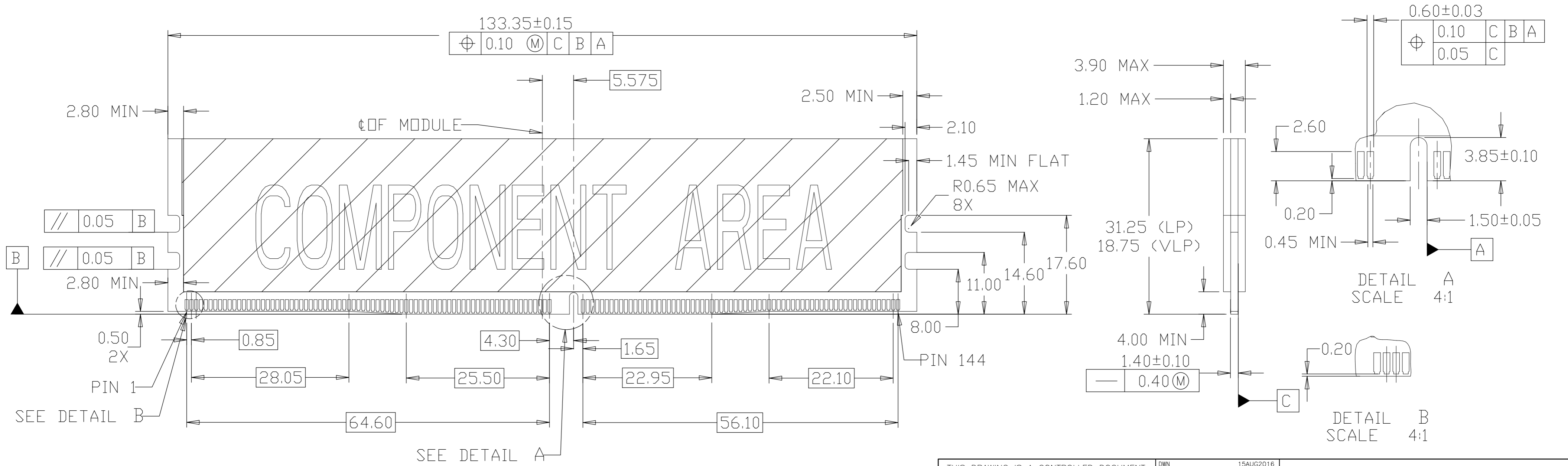
REVISIONS					
P	LTR	DESCRIPTION	DATE	DWN	APVD
-	-	SEE SHEET 1	-	-	-



FOR LONG LATCH, X IS 162 MM;
 FOR SHORT LATCH, X IS 152 MM;
 FOR SINGLE LATCH, X IS 152.70 MM;

RECOMMENDED PCB LAYOUT

VIEWED FROM CONNECTOR SIDE

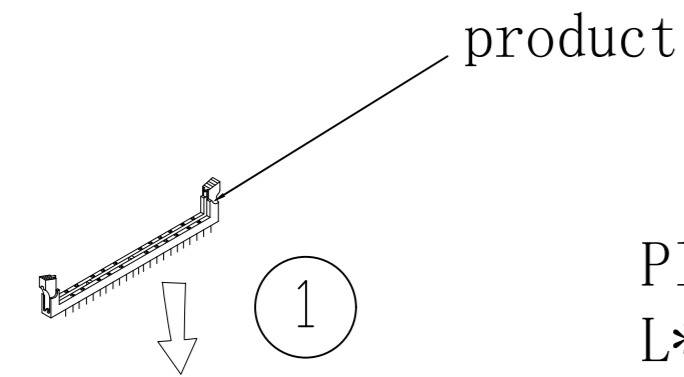


RECOMMENDED MODULE LAYOUT

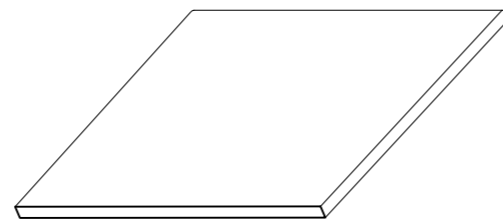
THIS DRAWING IS A CONTROLLED DOCUMENT.		DWN DAVID ZHAO 15AUG2016	TE Connectivity	
		CHK SIMON LI 15AUG2016		
		APVD COREL WANG 15AUG2016	NAME	
		PRODUCT SPEC 108	SOCKET ASSEMBLY	
		APPLICATION SPEC	DDR4 DIMM,T/H TYPE	
			288 POSITION	
		WEIGHT	SIZE A2	CAGE CODE 00779
			DRAWING NO C=2308107	RESTRICTED TO
		CUSTOMER DRAWING	SCALE 1:1	SHEET 5 of 8
				REV 29

THIS DRAWING IS UNPUBLISHED. RELEASED FOR PUBLICATION. ALL RIGHTS RESERVED.

REVISIONS					
P	LTR	DESCRIPTION	DATE	DWN	APVD
-	-	SEE SHEET 1	-	-	-



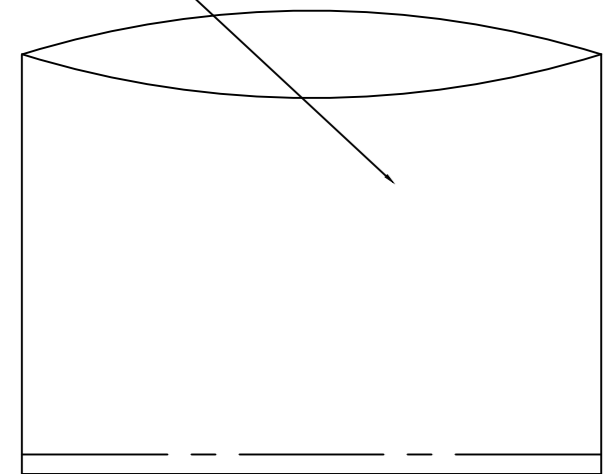
Plastic tray
 L*W*H=344*246*39.5
 mm³
 T=1.0mm



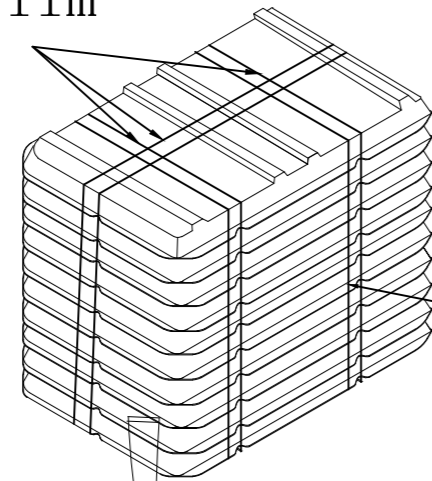
Sponge (LDPE)

5.4kg	3.5kg	50	10	500	SEE PAGE 3
GROSS WEIGHT	NET WEIGHT	PCS/ TRAY	TRAY/ BOX	PCS/ BOX	PART NUMBER

Waterproof bag

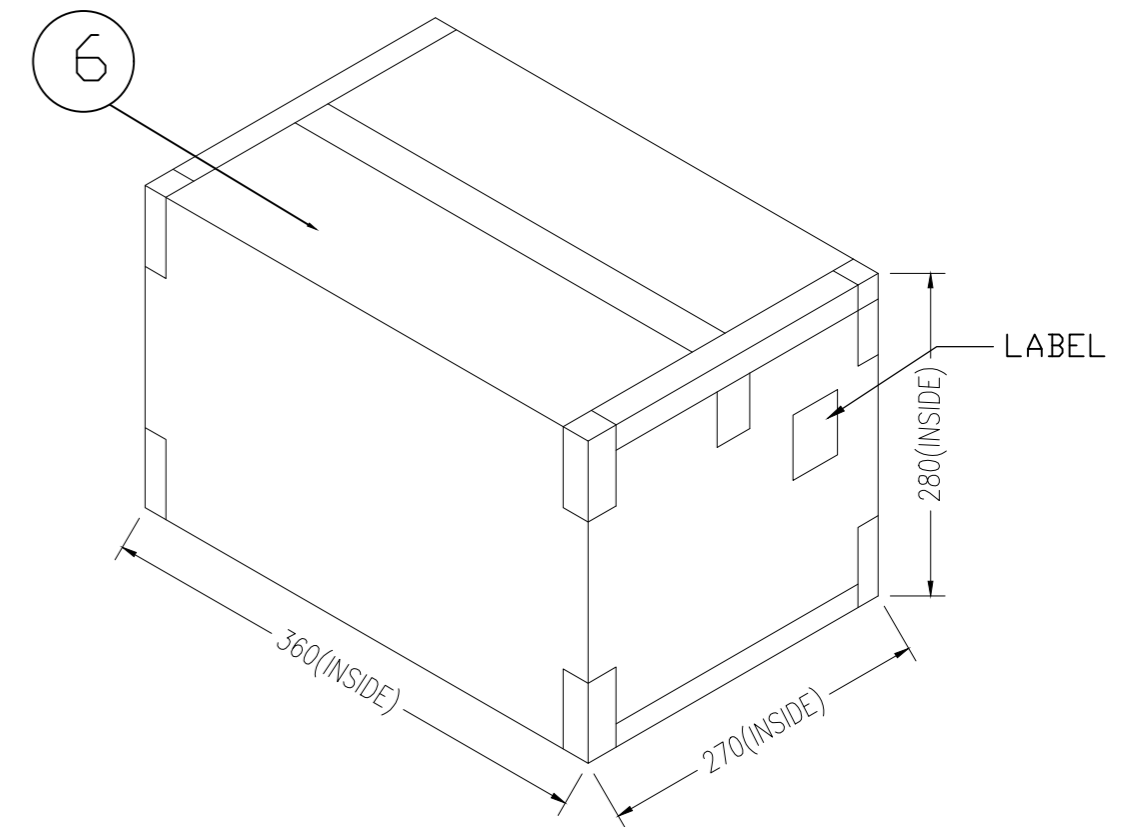


PE film



Each box has 10 plastic trays and 1 plastic lid. Each plastic tray has 50 products.
 500 products in a box in total, and then with PE film to fix around it.

Sponge (LDPE)

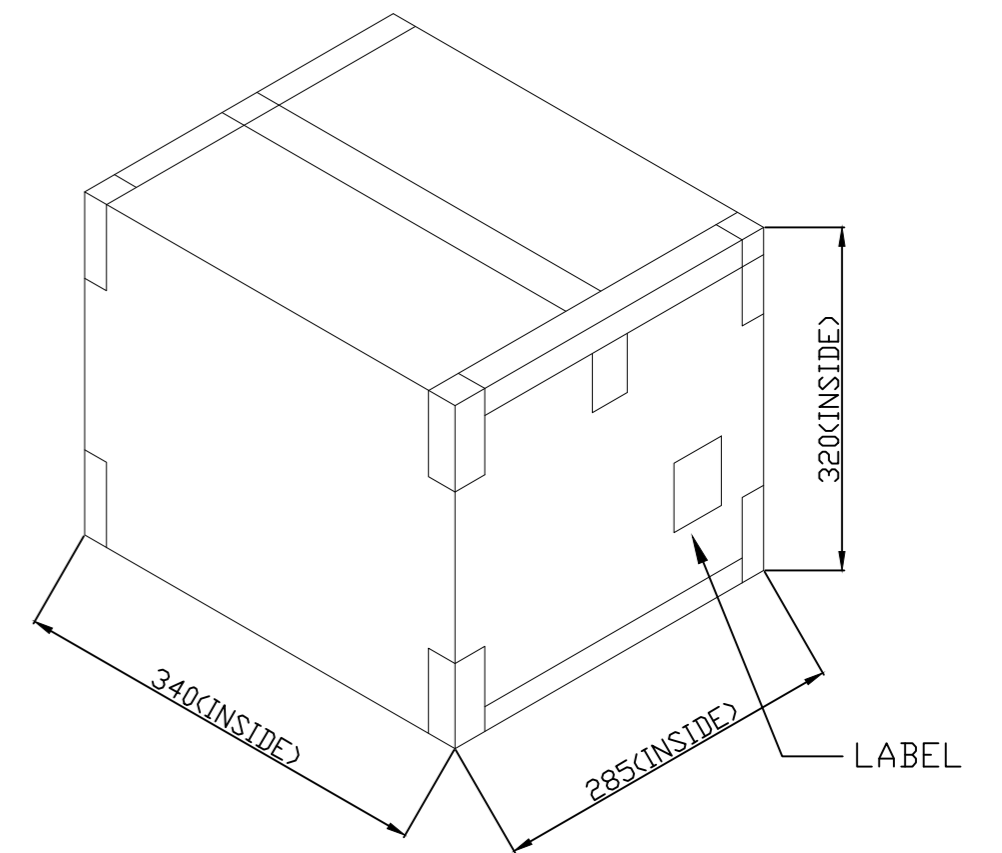
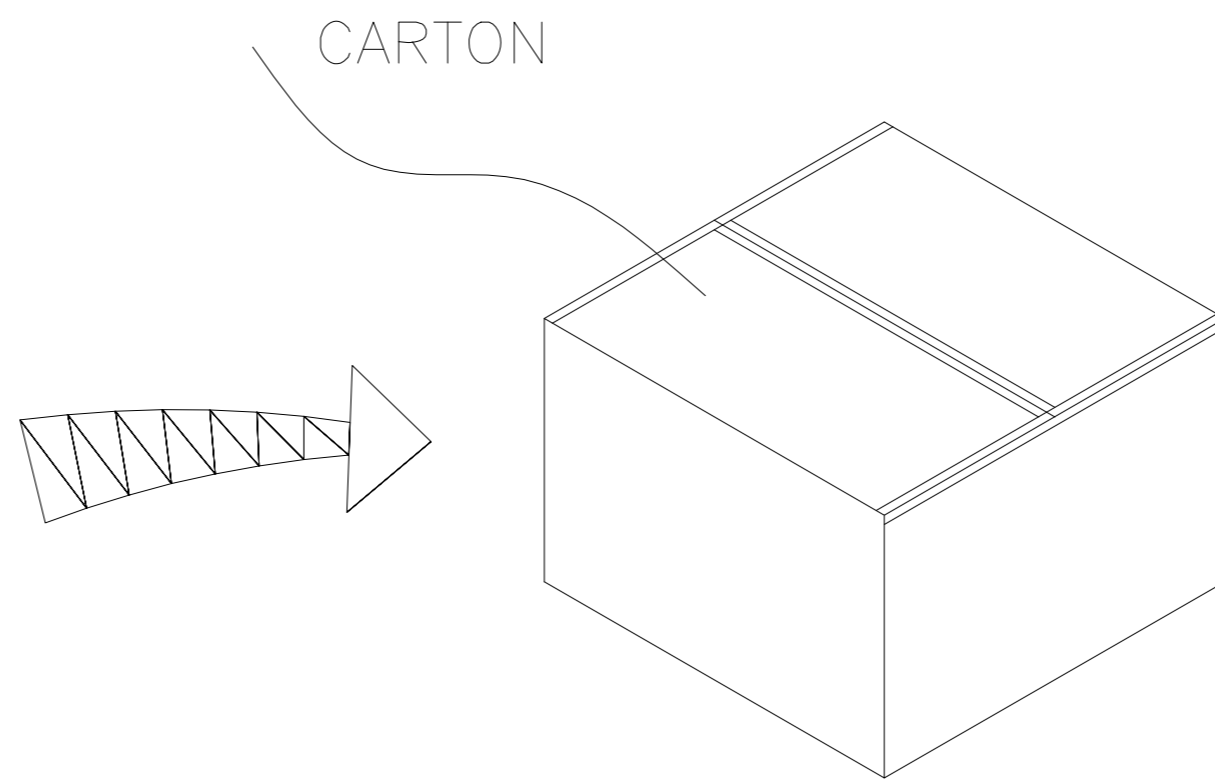
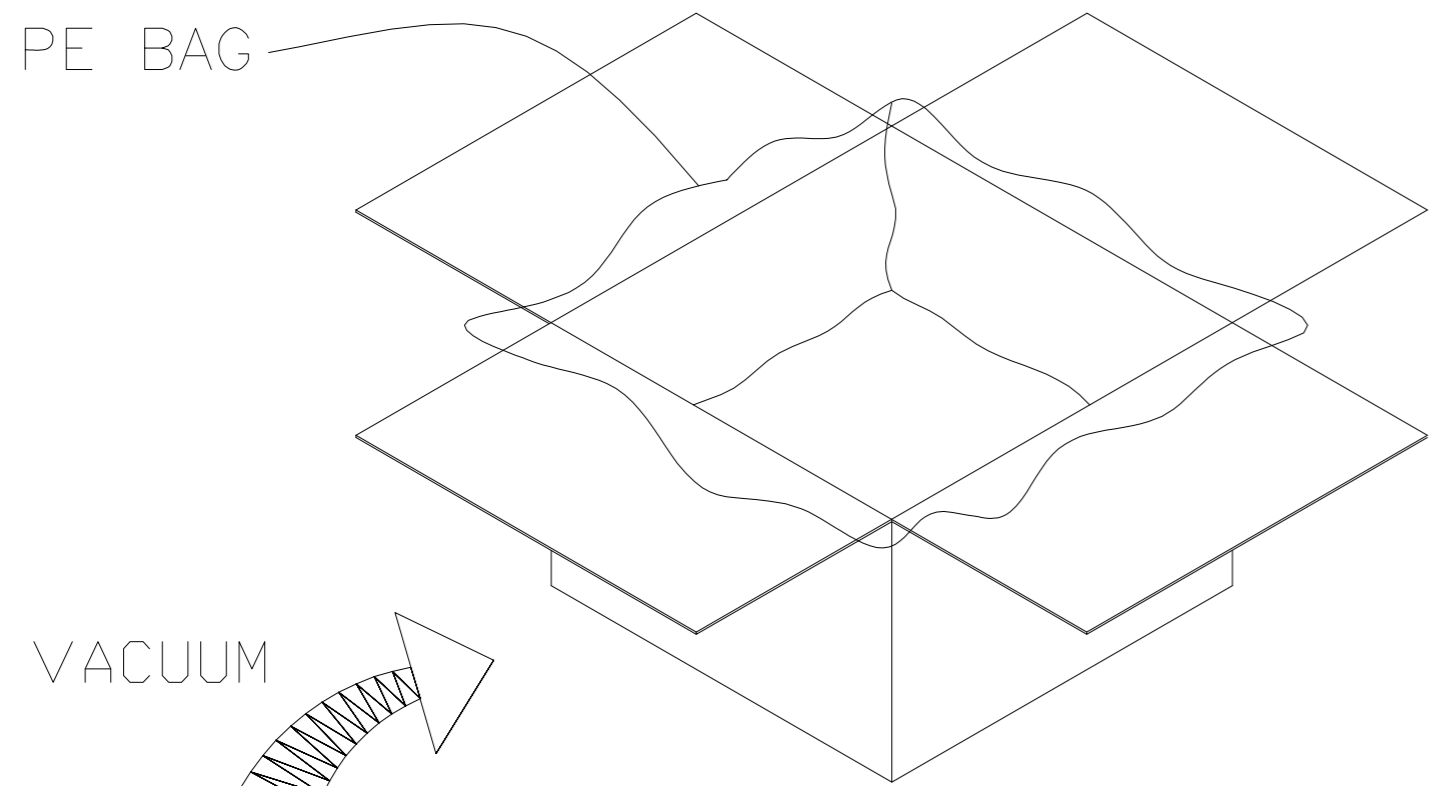
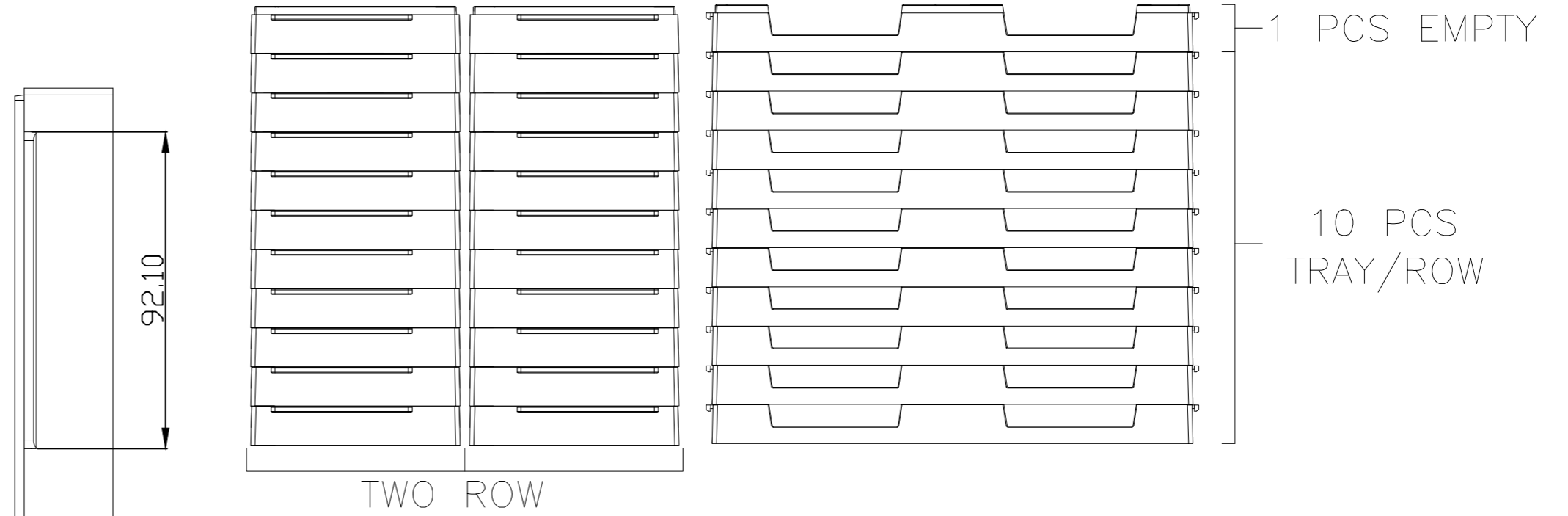
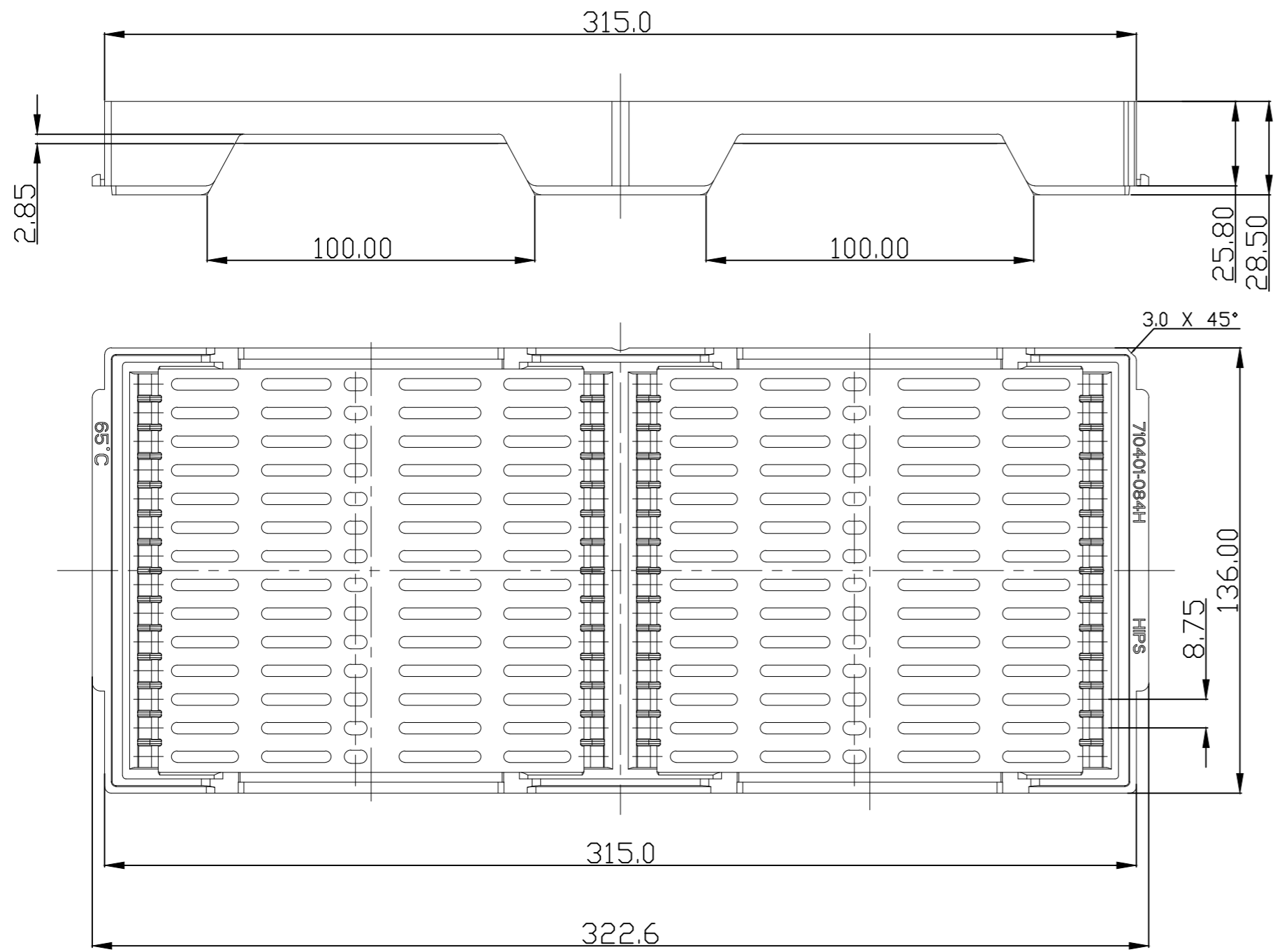


SOFT TRAY I

THIS DRAWING IS A CONTROLLED DOCUMENT.		DWN DAVID ZHAO 15AUG2016	STE TE Connectivity	
DIMENSIONS: mm		CHK SIMON LI 15AUG2016		
TOLERANCES UNLESS OTHERWISE SPECIFIED:		APVD COREL WANG 15AUG2016	NAME	
0 PLC ± -		PRODUCT SPEC	SOCKET ASSEMBLY	
1 PLC ± 0.25		APPLICATION SPEC	DDR4 DIMM,T/H TYPE	
2 PLC ± 0.15		WEIGHT -	SIZE A2	CAGE CODE 00779
3 PLC ± -0.10		FINISH -	DRAWING NO C=2308107	RESTRICTED TO -
4 PLC ± -		CUSTOMER DRAWING	SCALE 1:1	SHEET 6 of 8
ANGLES ± -			REV 29	

THIS DRAWING IS UNPUBLISHED. RELEASED FOR PUBLICATION
 © COPYRIGHT - By - ALL RIGHTS RESERVED.

REVISIONS					
P	LTR	DESCRIPTION	DATE	DWN	APVD
-	-	SEE SHEET 1	-	-	-



THE 22 PCS HARD TRAY INTO CARTON

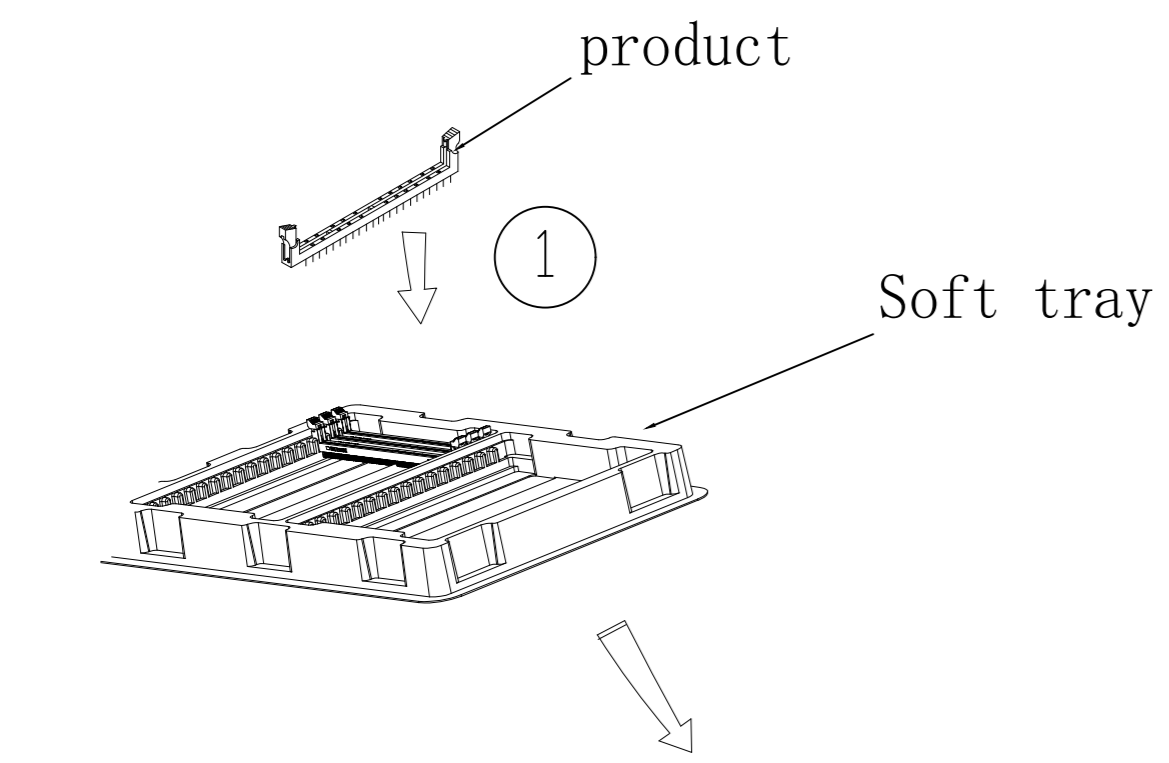
4.8kg	3.92kg	28	20	560	SEE PAGE 3
GROSS WEIGHT	NET WEIGHT	PCS/ TRAY	TRAY/ BOX	PCS/ BOX	PART NUMBER

HARD TRAY

THIS DRAWING IS A CONTROLLED DOCUMENT.		DWN DAVID ZHAO 15AUG2016	TE Connectivity		
DIMENSIONS: mm		CHK SIMON LI 15AUG2016			
TOLERANCES UNLESS OTHERWISE SPECIFIED:		APVD COREL WANG 15AUG2016	NAME		
0 PLC ± -		PRODUCT SPEC	108		
1 PLC ± 0.25		APPLICATION SPEC	-		
2 PLC ± 0.15		WEIGHT	-		
3 PLC ± -0.10		CUSTOMER DRAWING	SCALE 1:1 SHEET 7 of 8 REV 29		
4 PLC ± -		FINISH	-		
ANGLES ± -			SIZE A2 CAGE CODE 00779 DRAWING NO C=2308107 RESTRICTED TO -		
MATERIAL -					

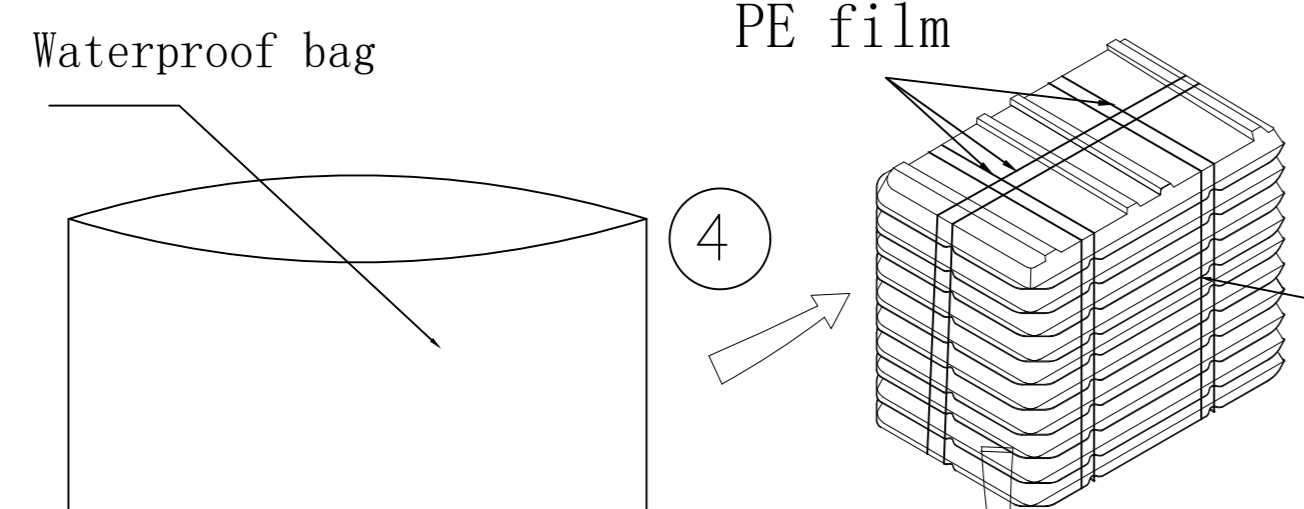
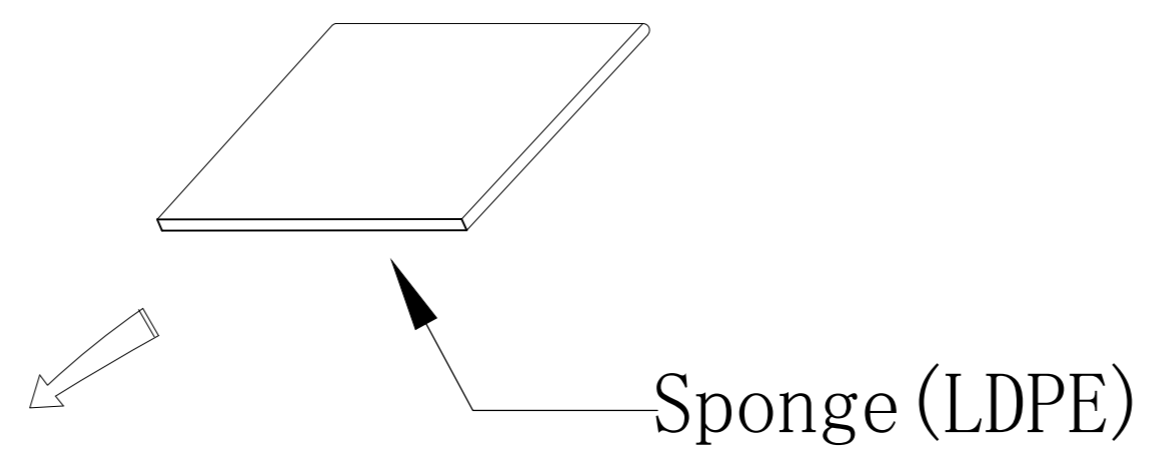
THIS DRAWING IS UNPUBLISHED. RELEASED FOR PUBLICATION
 © COPYRIGHT - By - ALL RIGHTS RESERVED.

REVISIONS					
P	LTR	DESCRIPTION	DATE	DWN	APVD
-	-	SEE SHEET 1	-	-	-

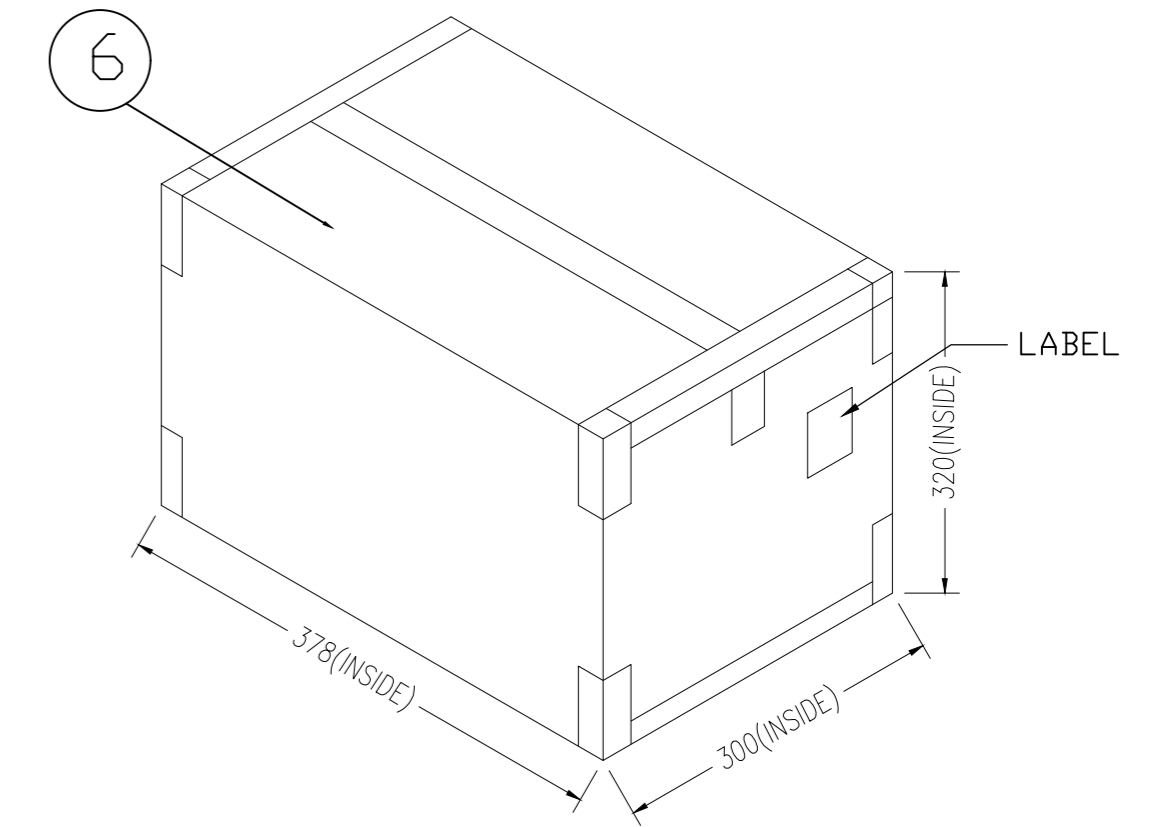
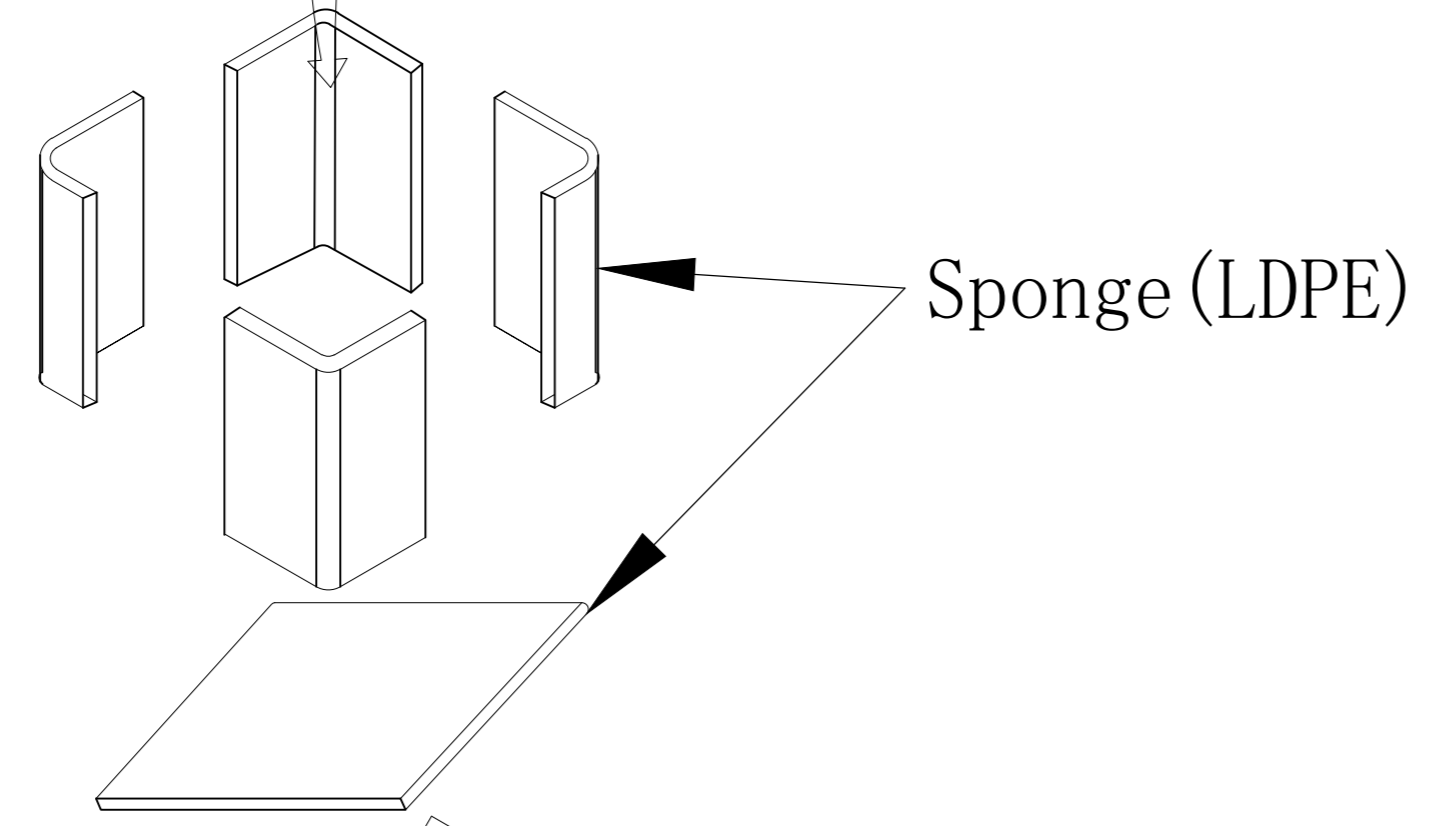


Only suitable for 5-2308107-9

4.3kg	2.4kg	40	10	400	5-2308107-9
GROSS WEIGHT	NET WEIGHT	PCS/ TRAY	TRAY/ BOX	PCS/ BOX	PART NUMBER



Each box has 10 soft trays and 1 soft lid. Each soft tray has 40 products. 400 products in a box in total, and then with PE film to fix around it.



SOFT TRAY II

THIS DRAWING IS A CONTROLLED DOCUMENT.		DWN DAVID ZHAO 15AUG2016	STE TE Connectivity	
DIMENSIONS: mm		CHK SIMON LI 15AUG2016		
TOLERANCES UNLESS OTHERWISE SPECIFIED:		APVD COREL WANG 15AUG2016	NAME	
0 PLC ± -		PRODUCT SPEC	SOCKET ASSEMBLY	
1 PLC ± 0.25		APPLICATION SPEC	DDR4 DIMM,T/H TYPE	
2 PLC ± 0.15		WEIGHT -	SIZE A2	CAGE CODE 00779
3 PLC ± -0.10		FINISH -	DRAWING NO C=2308107	
4 PLC ± -		CUSTOMER DRAWING	SCALE 1:1	SHEET 8 of 8
ANGLES ± -			REV 29	RESTRICTED TO -