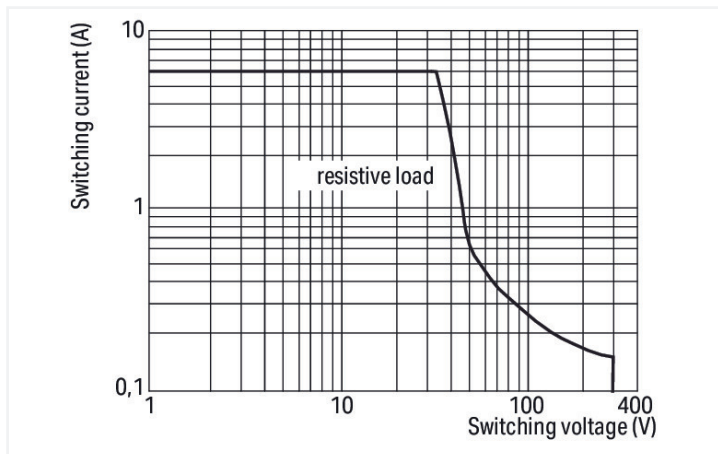


# Data Sheet | Item Number: 286-304/004-000

Relay module; Nominal input voltage: 24 VDC; 1 changeover contact; Limiting continuous current: 6 A; Railway; Red status indicator; Module width: 15 mm; gray

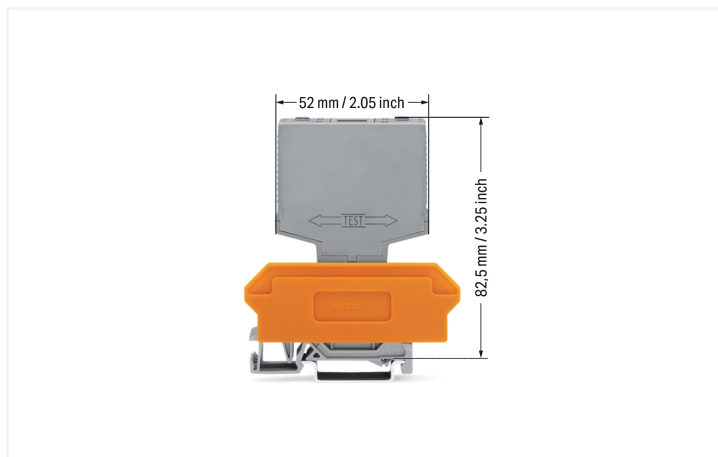
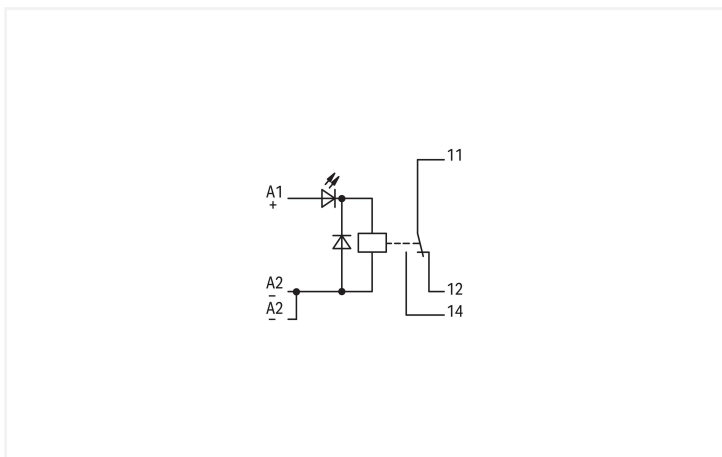
<https://www.wago.com/286-304/004-000>



Color: ■ gray

Similar to illustration

Load limit curve



## Notes

Note: This relay is designed for use in signal processing networks, which are not supplied by the low-voltage power supply networks.

## Technical data

Control circuit	
Nominal input voltage $U_N$	24 VDC
Input voltage range	-30 ... +25 %
Nominal input current at $U_N$	8 mA

Load circuit	
Number of changeover/switchover contacts	1
Contact material (relay)	AgSnO <sub>2</sub>
Limiting continuous current	6 A
Switching Voltage, Max.	250 VAC
Pull-in time (typ.)	8 ms
Drop-out time (typ.)	4 ms
Bounce time (typ.)	4 ms

### Signaling

Status indicator	Red LED
------------------	---------

### Safety and protection

Rated Voltage	300 V
Overvoltage category	II
Pollution degree	2
Dielectric strength (control/load circuit) (AC, 1 min)	3 kVrms
Dielectric strength (open contact) (AC, 1 min)	1 kVrms
Insulation type (control/load circuit)	Reinforced insulation (safe isolation)
Insulation type (open contact)	Functional insulation
Insulation type (adjacent devices)	Reinforced insulation (safe isolation)
Protection type	IP20

### Physical data

Width	15 mm / 0.591 inches
Height	52 mm / 2.047 inches
Depth from upper-edge of DIN-rail	82.5 mm / 3.248 inches
Note (dimensions)	Depth including carrier terminal block

### Mechanical data

Mounting type	Pluggable module for receptacle terminal blocks
---------------	-------------------------------------------------

### Material data

Note (material data)	<a href="#">Information on material specifications can be found here</a>
Color	gray
Fire load	0.291 MJ
Weight	23.3 g

### Environmental requirements

Ambient temperature (operation at $U_N$ )	-25 ... +70 °C
Ambient temperature (storage)	-25 ... +70 °C
Processing temperature	-25 ... +50 °C
Relative humidity	5 ... 85 % (no condensation permissible)
Operating altitude (max.)	2000 m

### Standards and Specifications

Standards/specifications	EN 61010-2-201 EN 50121-3-2
--------------------------	--------------------------------

### Commercial data

Product Group	6 (INTERFACE ELECTRONIC)
PU (SPU)	15 (1) pcs
Packaging type	Box
Country of origin	DE
GTIN	4045454427962
Customs tariff number	85364900990

**Product Classification**

UNSPSC	39122334
eCl@ss 10.0	27-37-16-01
eCl@ss 9.0	27-37-16-01
ETIM 9.0	EC001437
ETIM 10.0	EC001437
ECCN	NO US CLASSIFICATION

**Environmental Product Compliance**

CAS-No.	1303-86-2 1317-36-8 7439-92-1 79-94-7
REACH Candidate List Substance	2,2',6,6'-tetrabromo-4,4'-isopropylidenediphenol Diboron trioxide Lead Lead monoxide
RoHS Compliance Status	Compliant,With Exemption
RoHS Exemption	6(c) 7(a) 7(c)-I 7(c)-II
SCIP notification number (Bulgaria)	7e24e55b-8134-4f7e-a01d-186d8fbb31ae
SCIP notification number (Czech Republic)	765dd8d9-455f-44a3-89c2-fd86087a6b62

**Approvals / Certificates**

General approvals			Declarations of conformity and manufacturer's declarations		
Approval	Standard	Certificate Name	Approval	Standard	Certificate Name
EAC GZO Almaty Standart	TP TC 004/2011	EAC CoC 03078	EU-Declaration of Confor- mity WAGO GmbH & Co. KG	-	-
EAC GZO Almaty Standart	TP TC 020/2011	EAC CoC 03081	UK-Declaration of Confor- mity WAGO GmbH & Co. KG	-	-

**Downloads**

Environmental Product Compliance	
Compliance Search	
Environmental Product Compliance 286-304/004-000	↓

Documentation

Bid Text			
286-304/004-000	19.02.2019	xml 3.74 KB	↓
286-304/004-000	27.03.2015	doc 26.50 KB	↓

Instruction Leaflet			
Operation and Assembly Instructions Interface	V 1.0.0 02.04.2025	pdf 1246.19 KB	↓

CAD/CAE-Data

CAD data	
2D/3D Models 286-304/004-000	↓

CAE data	
WSCAD Universe 286-304/004-000	↓
ZUKEN Portal 286-304/004-000	↓

1 Compatible Products

1.1 Optional Accessories

1.1.1 Marking

1.1.1.1 Marker



**Item No.: 209-701**  
WSB marking card; as card; not stretchable; plain; snap-on type; white

1.1.2 Terminal blocks

1.1.2.1 Terminal block for pluggable modules



**Item No.: 280-619**  
Terminal block for pluggable modules; 6-pole; with 2-conductor terminal blocks; with orange separator; for DIN-rail 35 x 15 and 35 x 7.5; 2.5 mm<sup>2</sup>; CAGE CLAMP®; 2,50 mm<sup>2</sup>; gray



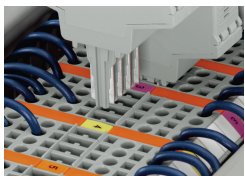
**Item No.: 280-763**  
Terminal block for pluggable modules; 6-pole; with 4-conductor terminal blocks; with marker carrier; with orange separator; for DIN-rail 35 x 15 and 35 x 7.5; 2.5 mm<sup>2</sup>; CAGE CLAMP®; 2,50 mm<sup>2</sup>; gray



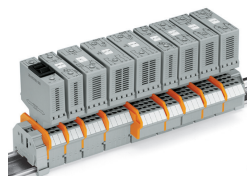
**Item No.: 280-609**  
Terminal block for pluggable modules; 6-pole; with 4-conductor terminal blocks; with orange separator; for DIN-rail 35 x 15 and 35 x 7.5; 2.5 mm<sup>2</sup>; CAGE CLAMP®; 2,50 mm<sup>2</sup>; gray

Installation Notes

Installation



Coding ensures correct polarity.



Pluggable electronic modules on 2- or 4-conductor carrier terminal blocks

## Marking



Marking via WMB Multi Marking System.

## Testing



Function testing via touch-proof test slots