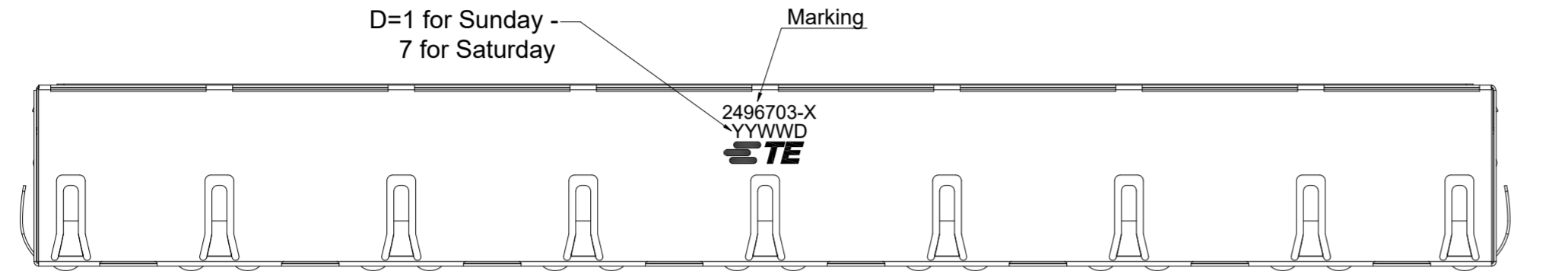
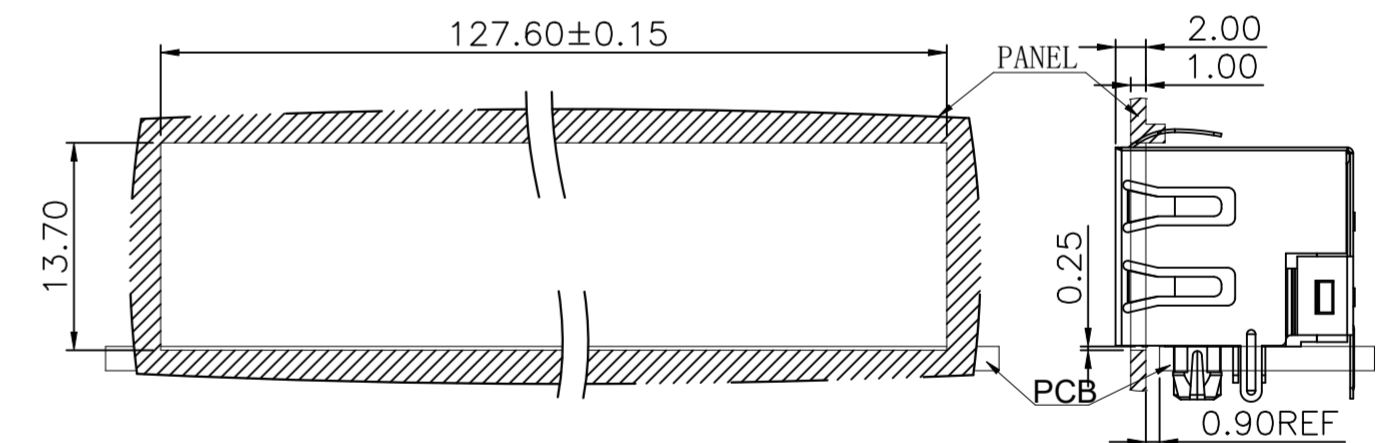
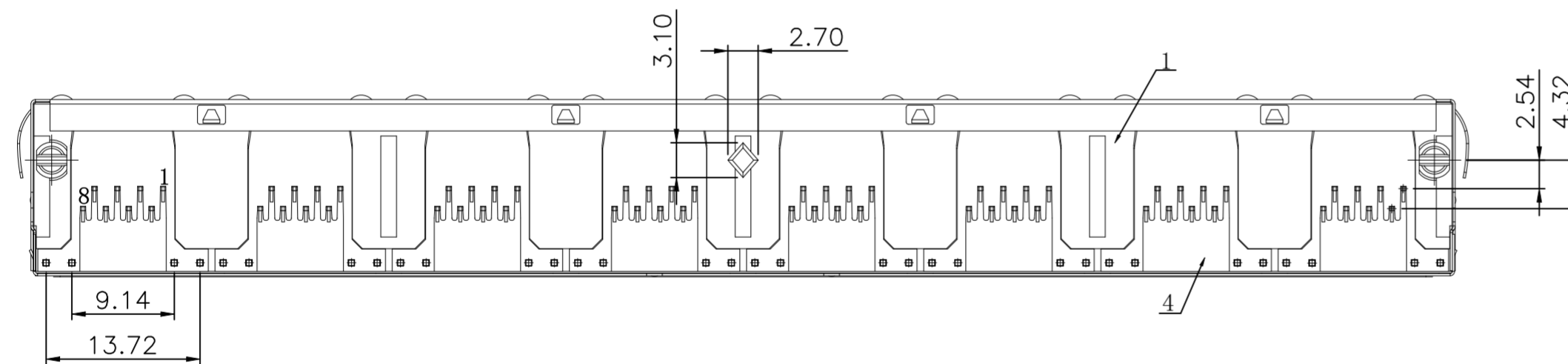
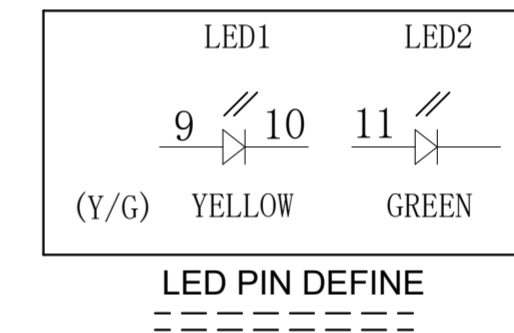
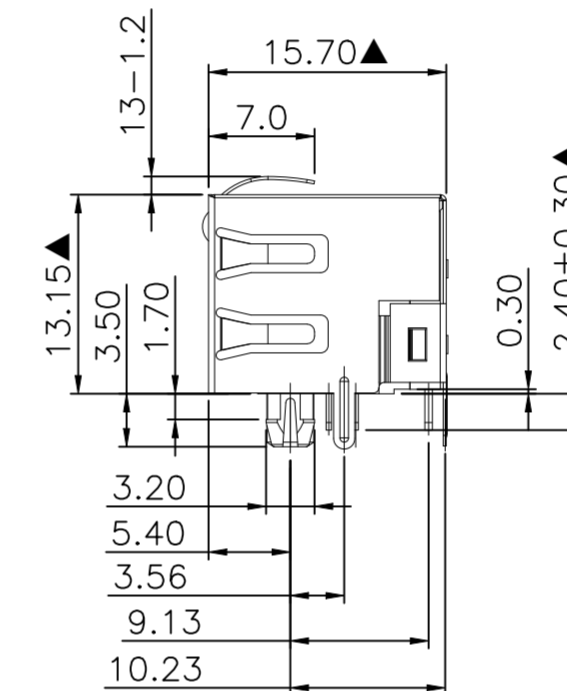
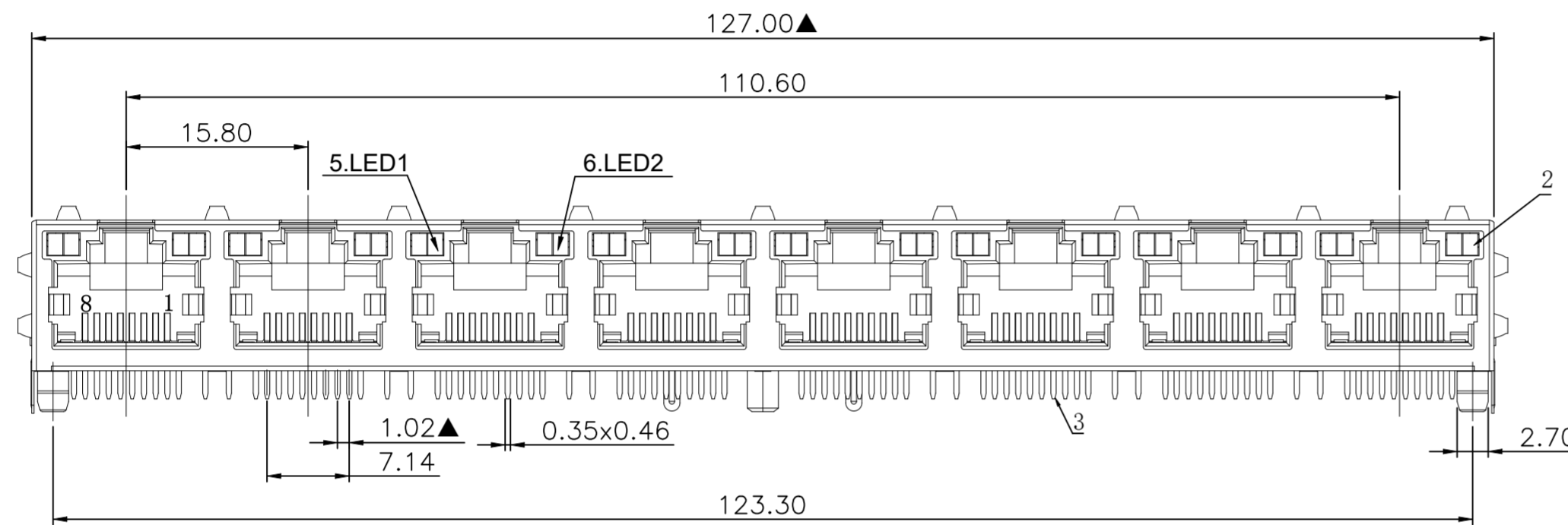


REVISIONS					
P	LTR	DESCRIPTION	DATE	DWN	APVD
A		REVISED PER ECN-25-302515	17JAN2025	TR	RCC

Note:
 X= 1,2,3,4,5,6
 YYWWDD
 YY=YEAR
 WW=WEEK
 D=1 for Sunday
 7 for Saturday

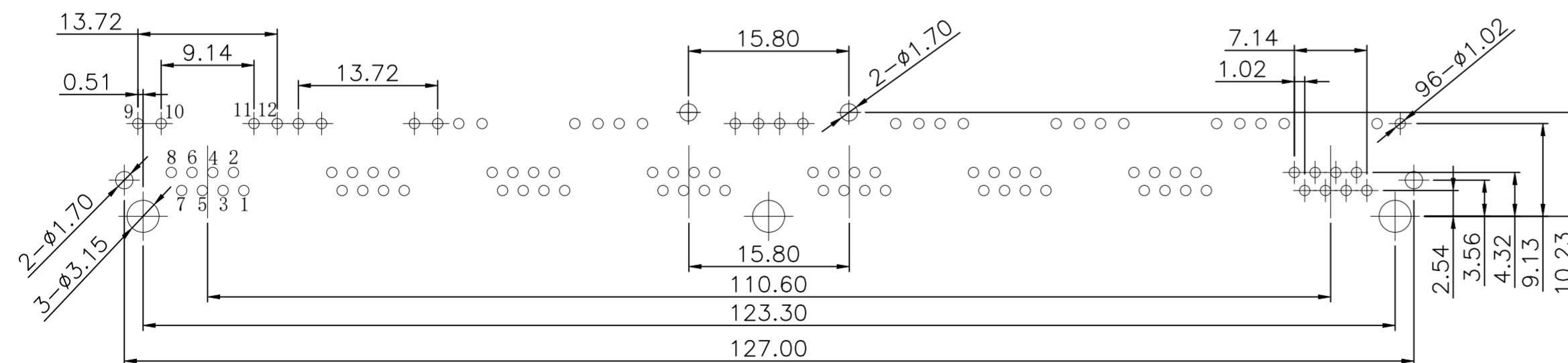


NOTE:
 1.Housing:Glass Filled PA46 BLACK UL94V-0.(RoHS)
 2.Shielding:0.20mm Thickness Copper Alloy with Nickel Plated.(RoHS)
 3.Contact:T0.35*0.46mm Phosphor Bronze(RoHS).
 4.Insert:Glass Filled PA46 BLACK UL94V-0(RoHS)
 5.LED1: YELLOW(RoHS)
 6.LED2: GREEN(RoHS)
 ※Mates With Modular Plug Conforming To Fcc Part 68,Subpart F.
 ※The Dimensions Marked "▲" Symbols Are Stand For Key Characteristics.



RECOMMENEDE PANEL CUTOUT

Bezel opening below top of PCB



RECOMMENDED P.C.B LAYOUT
 TOP VIEW (COMPONENT SIDE) TOLERANCE±0.05

GOLD PLATING THICKNESS	PART NUMBER
GF	2496703-6
0.0762 μm [3μ"]	2496703-5
0.1524 μm [6μ"]	2496703-4
0.381 μm [15μ"]	2496703-3
0.762 μm [30μ"]	2496703-2
1.27 μm [50μ"]	2496703-1

THIS DRAWING IS A CONTROLLED DOCUMENT.		DWN TARUN, R 23OCT2024	TE Connectivity	
DIMENSIONS: mm [INCHES]		CHK RAMESH, KIVADER 25OCT2024	RJ45 W/O MAGNET 1X8 LED	
TOLERANCES UNLESS OTHERWISE SPECIFIED: 0 PLC ± - 1 PLC ± 0.35 2 PLC ± 0.25 3 PLC ± 0.15 4 PLC ± - ANGLES ± 2°		APVD RAGHAVAN, CG 25OCT2024	NAME	
MATERIAL		PRODUCT SPEC 108-161621	SIZE	
FINISH		APPLICATION SPEC 114-161218	CAGE CODE A2 00779	DRAWING NO C=2496703
		WEIGHT	RESTRICTED TO	SCALE 1:1
		CUSTOMER DRAWING	SHEET 1 OF 1	REV A