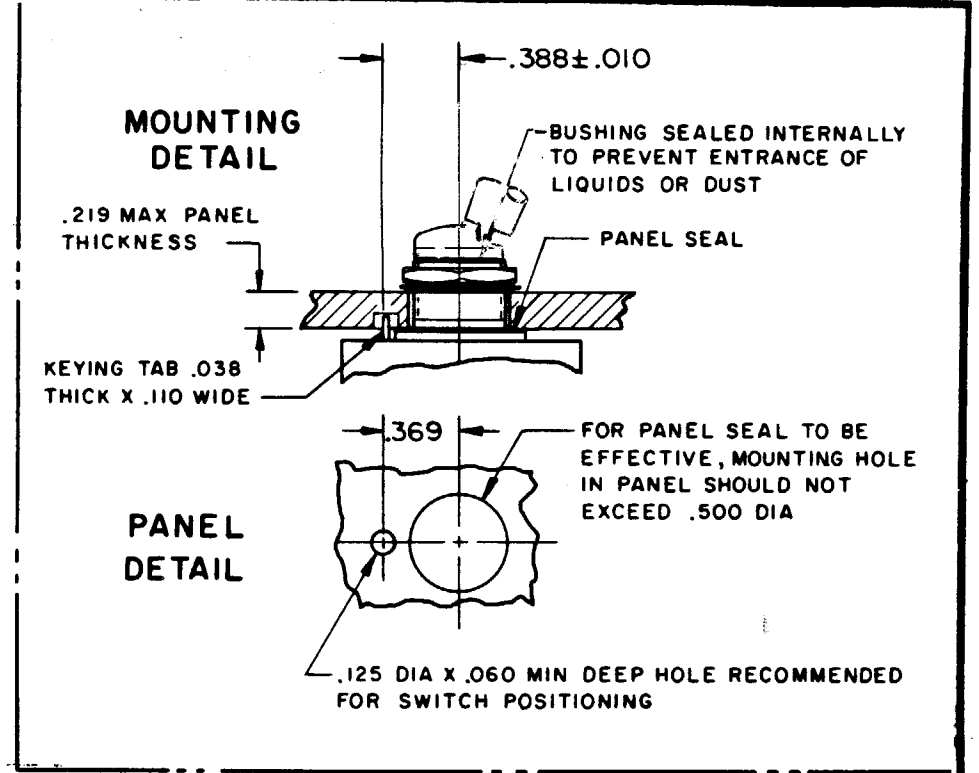
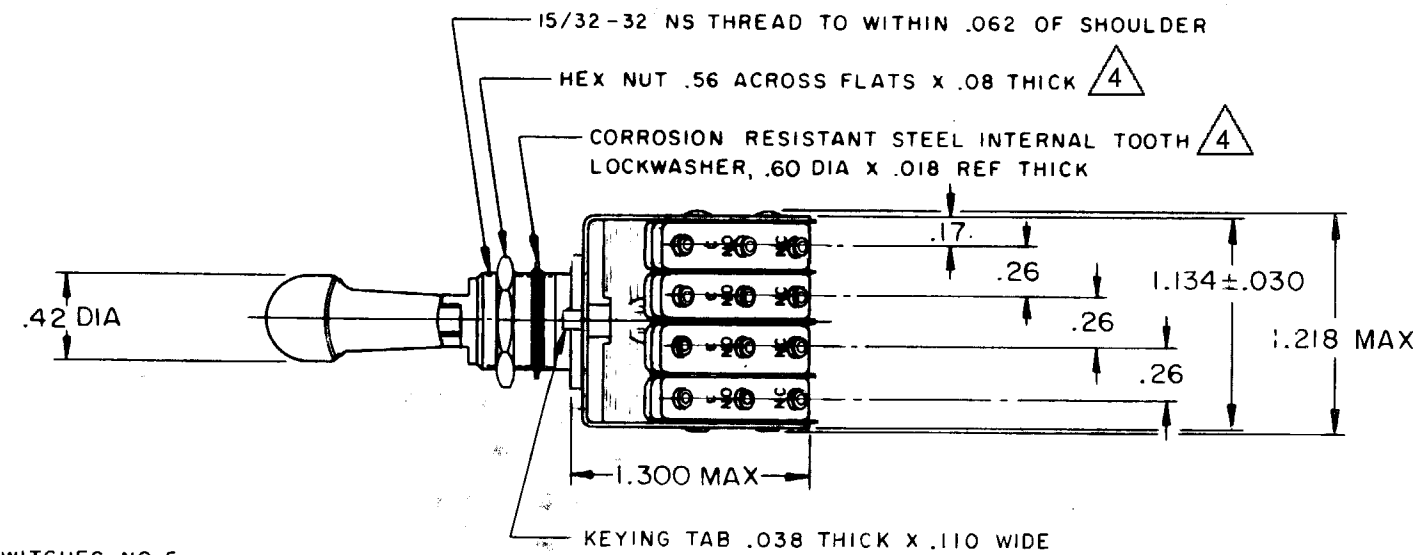
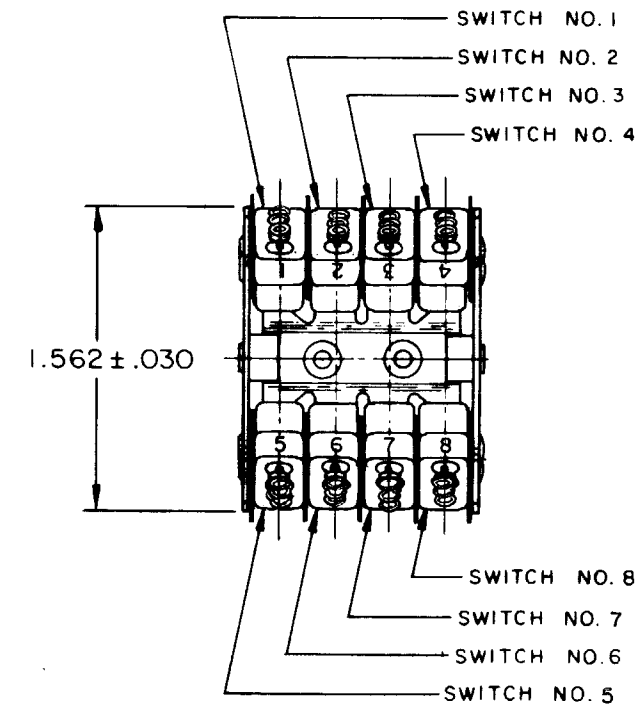
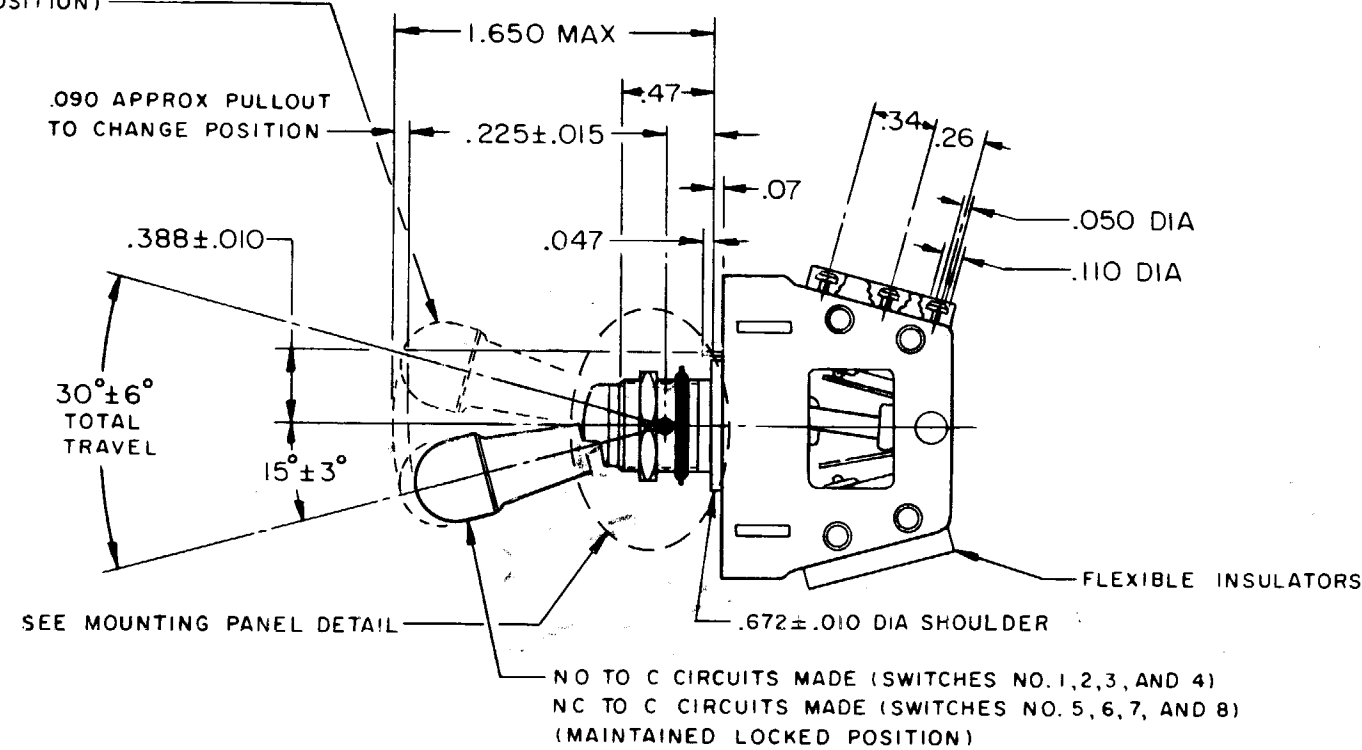


**ASSEMBLY-  
 TOGGLE SWITCH**

CATALOG LISTING  
**28AT18-T-F**



NO TO C CIRCUITS MADE (SWITCHES NO. 5, 6, 7, AND 8) NC TO C CIRCUITS MADE (SWITCHES NO. 1, 2, 3, AND 4) (MAINTAINED POSITION)



28AT18-T-F PAGE 1 OF 1  
 M DRAWING NUMBER  
 X X X X  
 ISSUE  
 REVISIONS:  
 A PR 778  
 D L F 17 JUN 69  
 B CO26310  
 OMW 29 AUG 69  
 C CO 50566-B  
 WJM 7 MAY 82  
 D CO-92636  
 CCK 21 DEC 98  
 E 207004  
 TSM 11 DEC 02  
 O MW 19 FEB 69 CHECK  
 RASTER DRAWN

THIS DRAWING COVERS A PROPRIETARY ITEM AND IS THE PROPERTY OF MICRO SWITCH, A DIVISION OF MINNEAPOLIS-HONEYWELL REGULATOR CO. THIS DRAWING IS NOT TO BE COPIED OR USED WITHOUT THE APPROVAL OF MICRO SWITCH.

CHARACTERISTICS	ELECTRICAL DATA	SCALE FULL
	CONTACT ARRANGEMENT S P D T (8)	DO NOT SCALE PRINT
	30 VOLTS DC RATING (SEA LEVEL)	UNLESS OTHERWISE NOTED DIMENSIONS ARE IN INCHES
INDUCTIVE - - - 5 AMP	OPERATIONS - - - 30,000	<b>TOLERANCES ARE:</b> ONE PLACE (.0) ± .030 TWO PLACE (.00) ± .015 THREE PLACE (.000) ± .005 ANGLES ±
RESISTIVE - - - 10 AMP	OPERATIONS - - - 100,000	WEIGHT

**NOTES**  
 1 - SWITCHES DO NOT NECESSARILY OPERATE SIMULTANEOUSLY  
 2 - UNIT INCLUDES CAT. LIST. 22SM157-7 BASIC SWITCH (8)  
 3 - TERMINALS ARE PLATED FOR SOLDERING  
 (4) HARDWARE FURNISHED ASSEMBLED WITH SWITCH OR IN PACKET PER MIL-PR-8805