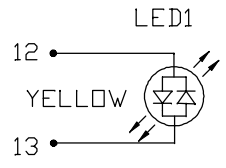


THE INFORMATION CONTAINED HEREIN IS CONSIDERED 'PROPRIETARY' TO BEL FUSE INC. AND SHALL NOT BE COPIED, REPRODUCED OR DISCLOSED WITHOUT THE WRITTEN APPROVAL OF BEL FUSE INC.

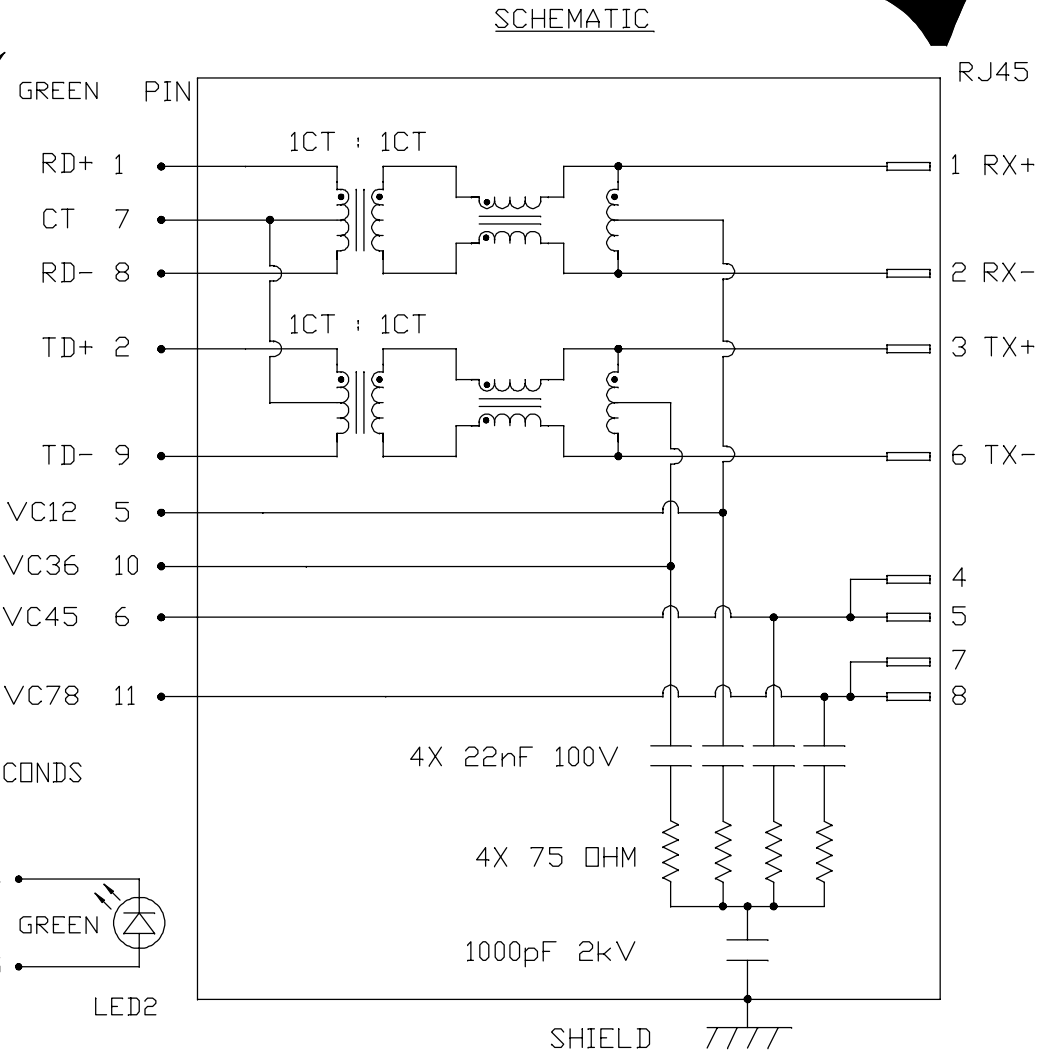


| LED1 POLARITY | | | LED2 POLARITY | | |
|---------------|--------|--------|---------------|--------|-------|
| PIN 12 | PIN 13 | COLOR | PIN 14 | PIN 15 | COLOR |
| - | + | GREEN | - | + | GREEN |
| + | - | YELLOW | | | |



ELECTRICAL CHARACTERISTICS @ 25°C

| | |
|---|--|
| TURNS RATIO 1CT : 1CT ±2% OCL @ 100kHz/100mVRMS 8mA DC BIAS 350µH MIN. INSERTION LOSS 100KHz TO 100MHz -1.5 dB MAX. RETURN LOSS (MIN.) 2MHz-30MHz -16 dB MIN. 60MHz-80MHz -10 dB MIN. CROSS TALK 100KHz - 100MHz -30 dB MIN. HIPOT (ISOLATION VOLTAGE) 2250 VDC 100% OF PRODUCTION TESTED TO COMPLY WITH IEEE 802.3 ISOLATION REQUIREMENTS BALANCED DC LINE CURRENT 350mA MAX. @ 57 VDC CONTINUOUS 500mA MAX. @ 57 VDC FOR 200 MILLSECONDS LED 1 VF (FORWARD VOLTAGE) IF=20mA GREEN 2.2V TYP. IF=20mA YELLOW 2.1V TYP. λ (DOMINANT WAVELENGTH) IF=20mA GREEN 570nm TYP. IF=20mA YELLOW 590nm TYP. LED 2 VF (FORWARD VOLTAGE) IF=20mA GREEN 2.2V TYP. λ (DOMINANT WAVELENGTH) IF=20mA GREEN 570nm TYP. OPERATING TEMPERATURE: 0°C TO +70°C. | |
|---|--|



| |
|---|
| ORIGINATED BY CHOW WANCHUNG DATE 2016-08-11 DRAWN BY SKY YOU DATE 2016-08-11 |
|---|

| |
|---|
| TITLE 10/100 MagJack® PoE 0826-1L1T-57-F |
|---|

| |
|---|
| PART NO. / DRAWING NO. 08261L1T57-F FILE NAME 08261L1T57-F_F.DWG |
|---|

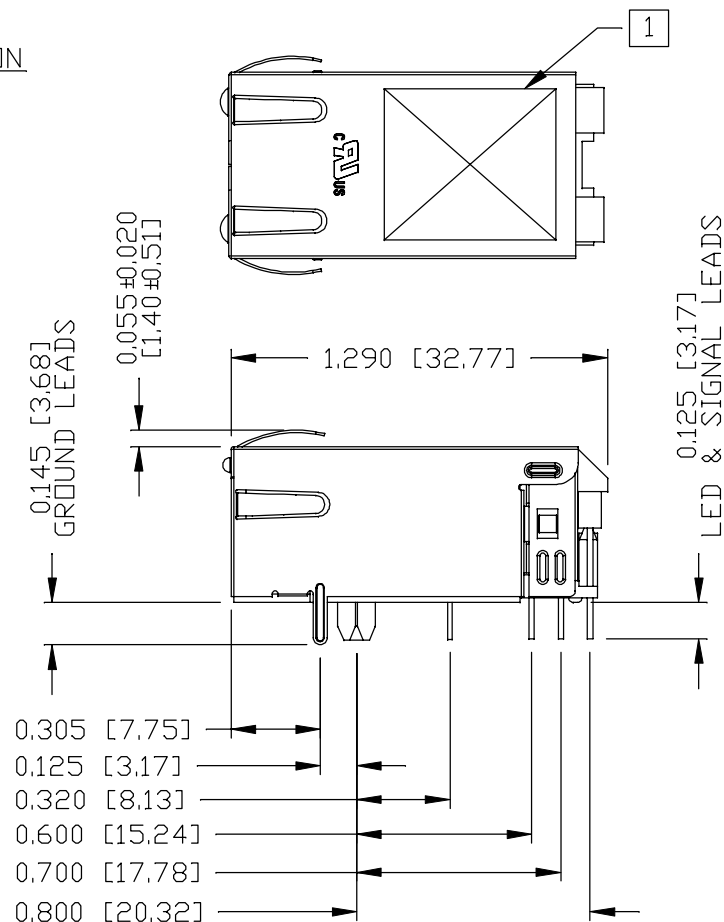
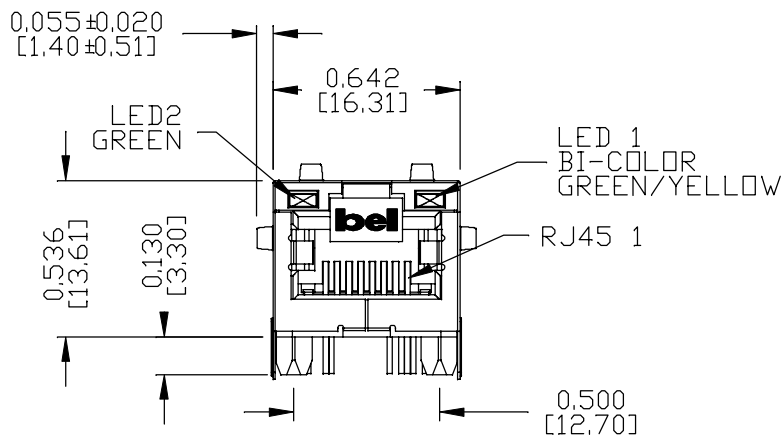
| | |
|--|--|
| STANDARD DIM. TOL. IN INCH .x .XX .XXX | [] METRIC DIM. AS REF. UNIT : INCH [mm] SCALE : N/A SIZE : A4 |
|--|--|

REV. : F PAGE : 2



THE INFORMATION CONTAINED HEREIN IS CONSIDERED "PROPRIETARY" TO BEL FUSE INC. AND SHALL NOT BE COPIED, REPRODUCED OR DISCLOSED WITHOUT THE WRITTEN APPROVAL OF BEL FUSE INC.

MECHANICAL SPECIFICATION



NOTES:

- PLASTIC HOUSING: THERMOPLASTIC PA, BLACK
FLAMMABILITY RATING UL 94V-0
- CONTACTS: 50 MICRO-INCH HARD GOLD PLATING OR EQUIVALENT,
30 MICRO-INCH MIN NICKEL UNDERPLATE.
- OUTPUT PINS: TIN-COATED COPPER WIRE, DIA 0.018 INCH,
100 MICRO-INCH MIN MATTE TIN, PINS ARE SOLDER DIPPED.
- METAL SHIELD: NICKEL PLATED ON COPPER ALLOY.
(ALL GROUND LEADS ARE SOLDER DIPPED)

1. MARK PART WITH MFG LOGO, MFG NAME, PART NUMBER, AND DATE CODE.

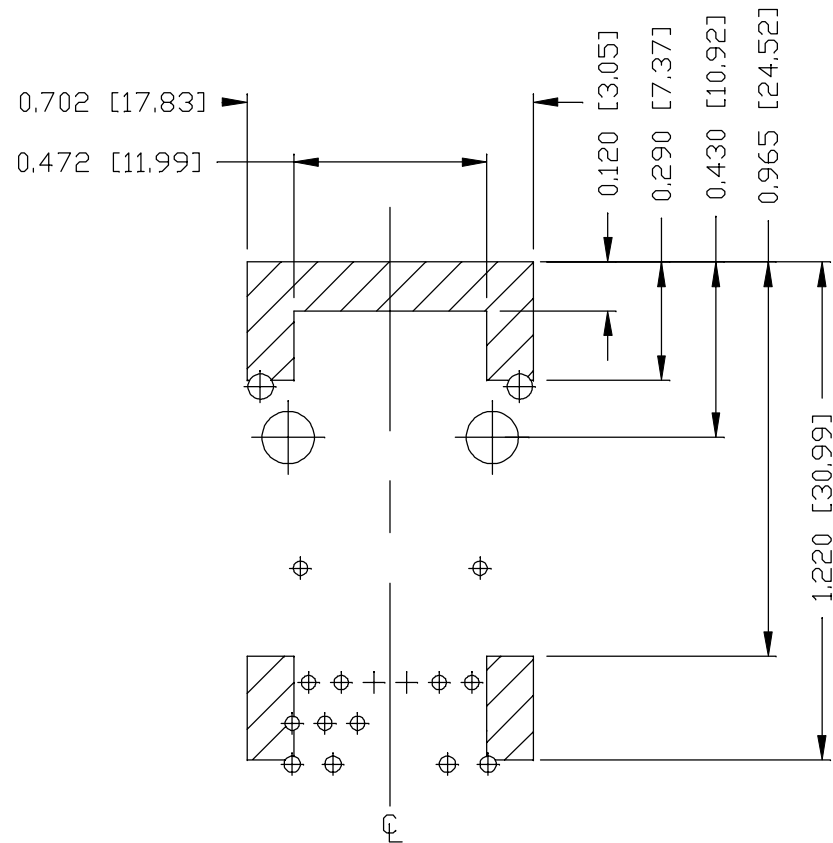
- 1. UL RECOGNIZED - FILE #E196366 AND E169987.
- 2. THE PRODUCT IS RoHS COMPLIANT.
- 3. JACK CAVITY CONFORMS TO FCC RULES AND REGULATIONS.
- 4. THE PART IS RECOMMENDED FOR WAVE SOLDERING. THE SUGGESTED PEAK WAVE SOLDERING CONDITION IS 260°C MAX AND 10 SECONDS MAX.

REV. : F PAGE : 3

| | | | | |
|--|---|--|-------------------------------|--|
| ORIGINATED BY JESSE LI DATE 2016-08-11 | TITLE 10/100 MagJack® PoE 0826-1L1T-57-F | PART NO. / DRAWING NO. 08261L1T57-F | STANDARD DIM. TOL. IN INCH | [] METRIC DIM. AS REF. |
| DRAWN BY JOLLY LUO DATE 2016-08-11 | FILE NAME 08261L1T57-F_F.DWG | | .X .XX .XXX | UNIT : INCH [mm] SCALE : N/A SIZE : A4 |
| | | | ±0.010 | |



THE INFORMATION CONTAINED HEREIN IS CONSIDERED "PROPRIETARY" TO BEL FUSE INC. AND SHALL NOT BE COPIED, REPRODUCED OR DISCLOSED WITHOUT THE WRITTEN APPROVAL OF BEL FUSE INC.



NOTES

THE SHADED AREA ON THE CUSTOMER BOARD ARE RECOMMENDED TO BE CLEAR OFF ANY VIA HOLE OR COMPONENT PAD.

| |
|---------------------------|
| ORIGINATED BY JESSE LI |
| DATE 2016-08-11 |
| DRAWN BY JOLLY LUO |
| DATE 2016-08-11 |

| |
|---------------------------------|
| TITLE 10/100 MagJack® PoE |
| FILE NAME 0826-1L1T-57-F |

| |
|--|
| PART NO. / DRAWING NO. 08261L1T57-F |
| FILE NAME 08261L1T57-F_F.DWG |

| | |
|-------------------------------|----------------------------|
| STANDARD DIM. TOL. IN INCH | [] METRIC DIM. AS REF. |
| .X | UNIT : INCH [mm] |
| .XX | SCALE : N/A |
| .XXX ±0.004 | SIZE : A4 |

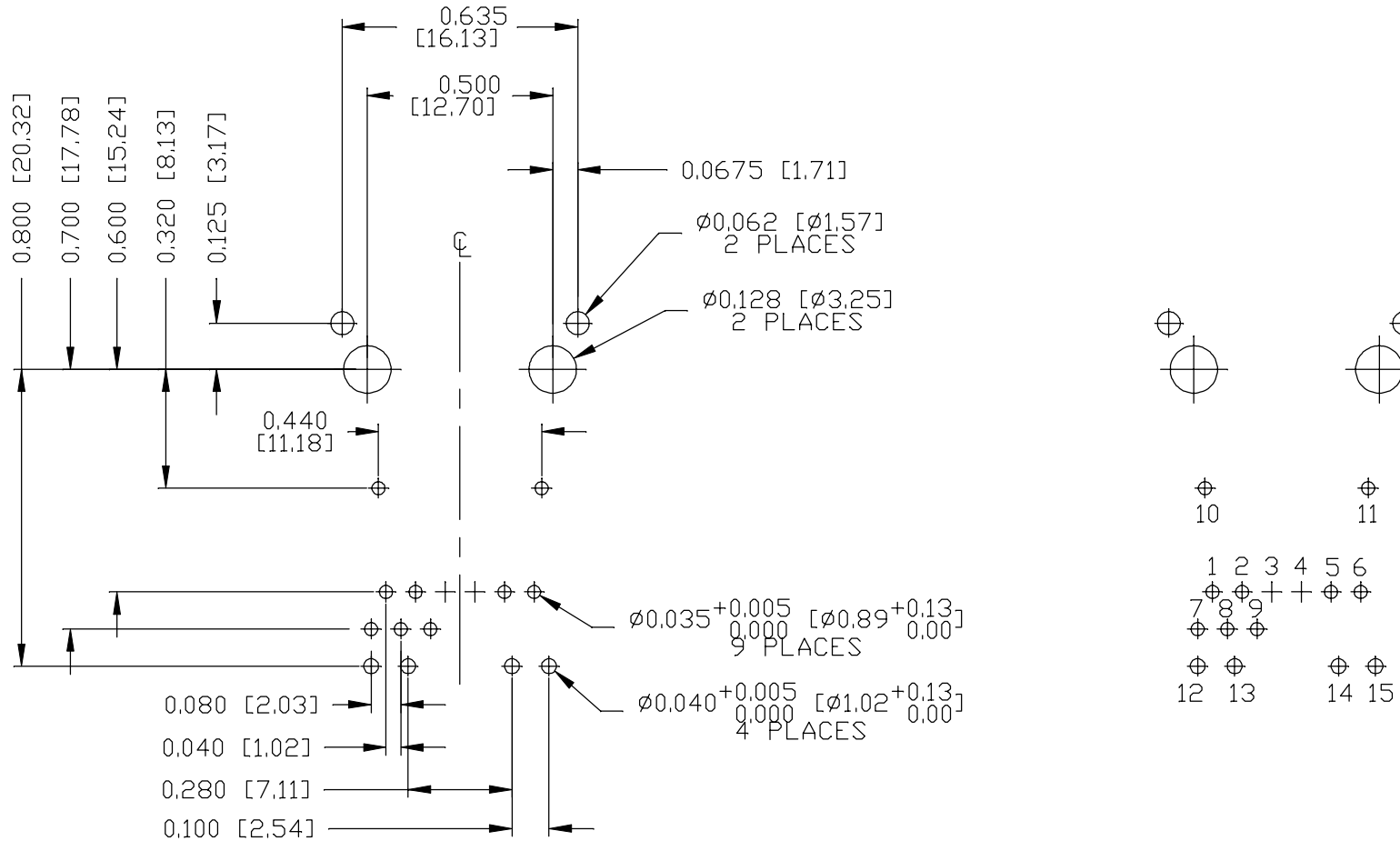
| | |
|----------|----------|
| REV. : F | PAGE : 4 |
| | |

THE INFORMATION CONTAINED HEREIN IS CONSIDERED "PROPRIETARY" TO BEL FUSE INC. AND SHALL NOT BE COPIED, REPRODUCED OR DISCLOSED WITHOUT THE WRITTEN APPROVAL OF BEL FUSE INC.

RoHS



RECOMMENDED PCB FOOTPRINT
COMPONENT SIDE VIEW



ORIGINATED BY
JESSE LI
DATE 2016-08-11
DRAWN BY
JOLLY LUO
DATE 2016-08-11

TITLE
10/100 MagJack®
PoE
0826-1L1T-57-F

PART NO. / DRAWING NO.
08261L1T57-F
FILE NAME
08261L1T57-F_F.DWG

| | | |
|-------------------------------|--------|----------------------------|
| STANDARD DIM. TOL. IN INCH | | [] METRIC DIM. AS REF. |
| .X | | UNIT : INCH [mm] |
| .XX | | SCALE : N/A |
| .XXX | ±0.004 | SIZE : A4 |

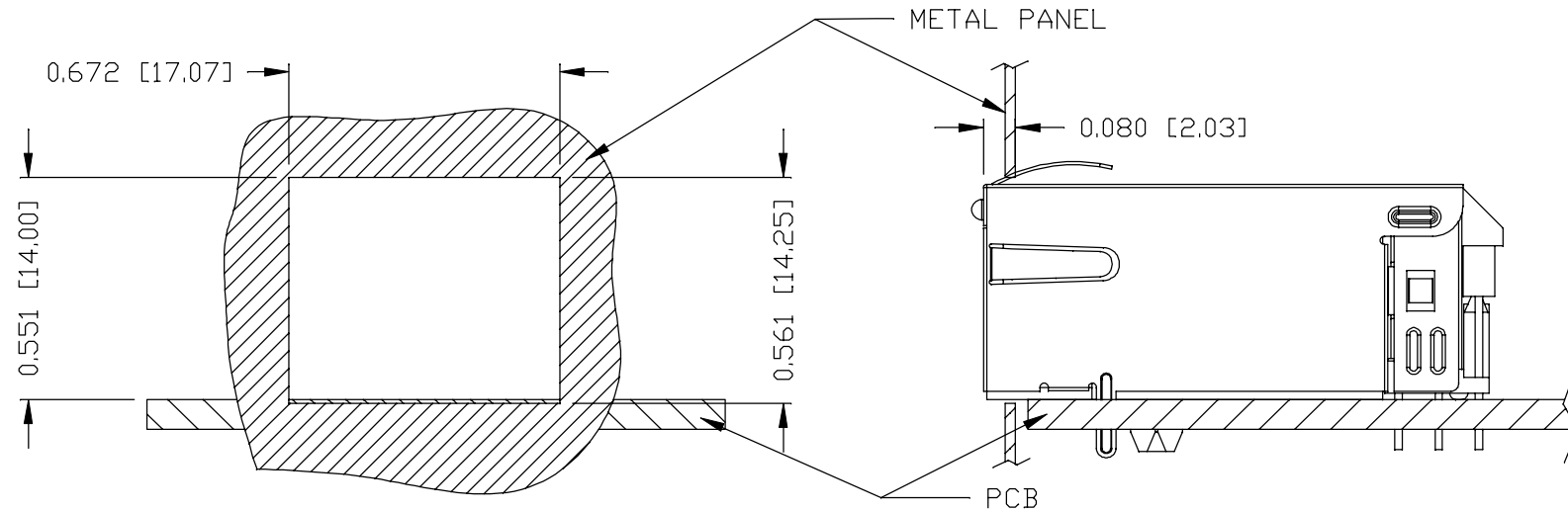
REV. : F PAGE : 5

a bel group



THE INFORMATION CONTAINED HEREIN IS CONSIDERED "PROPRIETARY" TO BEL FUSE INC. AND SHALL NOT BE COPIED, REPRODUCED OR DISCLOSED WITHOUT THE WRITTEN APPROVAL OF BEL FUSE INC.

SUGGESTED PANEL OPENING



NOTE:

THE DISTANCE OF PANEL INSIDE SURFACE RELATIVE TO FRONT SURFACE OF PART IS ONLY A SUGGESTION. IN CASE THIS DISTANCE IS DIFFERENT, THE REQUIRED PANEL OPENING DIMENSIONS CHANGE ACCORDINGLY.

PACKING INFORMATION

PACKING TRAY : 0200-9999-F6 (TOP)
0200-9999-F7 (BOTTOM)

PACKING QUANTITY : 40 PCS FINISHED GOODS PER TRAY
10 TRAYS (400 PCS FINISHED GOODS) PER CARTON BOX

NOTE : CARDBOARDS ARE PLACED BETWEEN LAYERS OF PACKING TRAY INSIDE CARTON BOX
(INCLUDE THE UPPERMOST AND LOWERMOST TRAY)

| | | | |
|--------|---|--------|---|
| REV. : | F | PAGE : | 6 |
|--------|---|--------|---|

| | | | | |
|--|---|--|-------------------------------|----------------------------|
| ORIGINATED BY JESSE LI DATE 2016-08-11 | TITLE 10/100 MagJack® PoE 0826-1L1T-57-F | PART NO. / DRAWING NO. 08261L1T57-F | STANDARD DIM. TOL. IN INCH | [] METRIC DIM. AS REF. |
| | | FILE NAME 08261L1T57-F_F.DWG | .X | UNIT : INCH [mm] |
| | | | .XX | SCALE : N/A |
| DRAWN BY JOLLY LUD DATE 2016-08-11 | | | .XXX | ±0.004 |
| | | | SIZE : A4 | |

