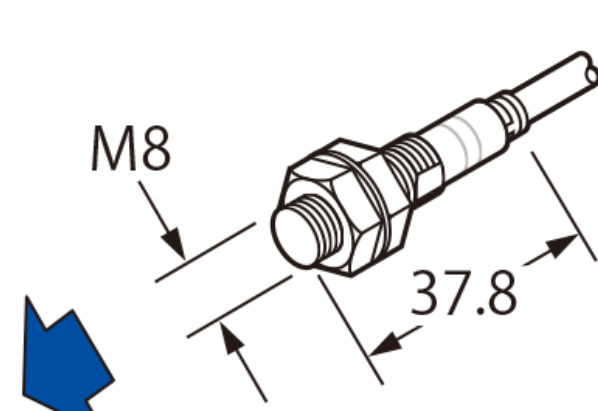


GX-308M-A-N | Cylindrical Inductive Proximity Sensor [Amplifier Built-in] GX-300

[Download](#)
[Catalog/Datasheet](#) > [CAD](#) > [Manual](#) > [Software](#) >


*Photo may vary from actual product.



Product Number	GX-308M-A-N
Part Number	GX-308M-A-N
Product	Cylindrical Inductive Proximity Sensor [Amplifier Built-in]
Details	Shielded type
Product Name	Cylindrical Inductive Proximity Sensor [Amplifier Built-in] GX-300

Contact Us

[Technical Support](#)
[Product Selection Support](#)
[General Inquiries](#)

As of April 15, 2026 (JST)

*Specifications and design of the products are subject to change without notice for the product improvement.

Spec Detail

Specifications and design of the products are subject to change without notice for the product improvement.

Item	Specifications
Product Number	GX-308M-A-N
Part Number	GX-308M-A-N
Product details	Shielded type
Products Name	Cylindrical Inductive Proximity Sensor [Amplifier Built-in]
Size	M8
Shape	Threaded type
Shielded / Non-shielded	Shielded
Sensing range	Standard sensing range
Operating mode	Normally open
Connecting method	Standard 2 m 6.562 ft cable
IO-Link	Not support
Applicable regulations and certifications	CE Marking (EMC Directive, RoHS Directive), UKCA Marking (EMC Regulations, RoHS Regulations), UL/c-UL Listing Certification
Max. operation distance	1.5 mm 0.059 in ±10% (Note): The maximum operation distance stands for the maximum distance for which the sensor can detect the standard sensing object.
Stable sensing range	0 to 1.2 mm 0 to 0.047 in (Note): The stable sensing range stands for the sensing range for which the sensor can stably detect the standard sensing object even if there is an ambient temperature drift and/or supply voltage fluctuation.
Standard sensing object	Iron sheet 8 × 8 × t 1 mm 0.315 × 0.315 × t 0.039 in
Hysteresis	10 % or less of operation distance (with standard sensing object)
Supply voltage	10 to 30 V DC [including 10 % ripple (p-p)], Class 2
Current consumption	16 mA or less
Output (C/Q)	Baud rate: COM3 (230.4 kbps) Process data: PD size: 2 bytes, OD size: 1 byte (M-sequence type: TYPE2_2) Minimum cycle time: 0.4 ms Vendor ID: 834 (0x342) Device ID: 0x70000
Output	NPN open-collector transistor • Maximum sink current: 200 mA or less (-40 to +70 °C -40 to +158 °F), 100 mA or less (+70 to +85 °C +158 to +185 °F) • Applied voltage: 30 V DC or less (between output to 0 V) • Residual voltage: 2 V or less *When the cable length is 2 m 6.562 ft . (at sink current 200 mA or less)
Output:Short-circuit protection	Incorporated
response frequency	2,000 Hz (Note): The response frequency is an average value.
Operation indicator	Standard I/O mode (SIO mode): Operation indicator (orange, ON), Communication indicator (green, OFF)
Environmental resistance:Pollution degree	3
Altitude	2,000 m 6561.68 ft or less
Protection	IP67 (IEC), IP69K, IP67G
Ambient temperature	-40 to +85°C -40 to +185°F , Storage: -45 to +85°C -49 to +185°F (No condensation or icing allowed)
Ambient humidity	35 to 95 % RH, Storage: 35 to 95 % RH (No condensation allowed)
Voltage withstandability	1,000 V AC for one min. between all supply terminals connected together and enclosure
Insulation resistance	50 MΩ or more, with 500 V DC megger between all supply terminals connected together and enclosure
Vibration resistance	10 to 55 Hz frequency, 1.5 mm 0.059 in double amplitude in X, Y and Z directions for two hours each
Shock resistance	500 m/s ² acceleration in X, Y and Z directions ten times each
Sensing range variation:Temperature characteristics	Within ±15 % of sensing range at +23 °C +73°F in ambient temperature range Within ±10% of sensing range at +23 °C +73°F in temperature range of -25 to +70 °C -13 to +158 °F
Sensing range variation:Voltage characteristics	Within ±1 % for ±15 % fluctuation of the rated supply voltage
Material	Enclosure: Stainless steel (SUS303), Sensing part: Polybutylene terephthalate (PBT), Cable: Polyvinyl chloride (PVC)
Cable	0.2 mm ² 3-core oil ø4 mm ø0.157 in cabtyre cable, 2 m 6.562 ft long
Net weight	Net weight: 55 g approx. Gross weight: 80 g approx. (Note): When the cable length is 2 m 6.562 ft .
Accessories	Nut: 2 pcs., Toothed lock washer: 1 pc.

Recently checked products

Recently checked product numbers

[FD-R31G | Square Head Fiber](#) >

[CN-HT-C2 | Thru-beam Type Digital Displacement Sensor HG-T](#) >

[AFP0HXY64D2T | FPOH expansion I/O unit](#) >

Contact Us

Components & Devices Technical Support

Technical Inquiries, Purchase Support & Inquiries Assistance

[Contact Us](#)

FA Sensors & Components Technical Support

Technical Inquiries, Purchase Support & Additional Assistance

[Contact Us](#)

Motors for FA & Industrial Application Technical Support

Technical Inquiries, Purchase Support & Additional Assistance

[Contact Us](#)

Motors for Facility/Home appliance & Automotive Technical Support

Technical Inquiries, Purchase Support & Additional Assistance

[Contact Us](#)

Guidelines for Ordering and Usage

[Requests to customers \(FA Sensors & Components \[Excluding motors\]\)](#) >

[Requests to customers \(Dedicated to industrial motors\)](#) >

Components & Devices

- Relays / Couplers
- Connectors
- Switches
- Encoders / Potentiometers
- Transparent Conductive Film
- Cooling Fan

FA Sensors & Components

- Fiber Sensors
- Photoelectric Sensors / Laser Sensors
- Micro Photoelectric Sensors
- Light Curtains / Safety Components
- Area Sensors
- Inductive Proximity Sensors
- Particular Use Sensors
- Sensor Options
- Wire-Saving Systems
- Programmable Controllers / Motion Controller
- Human Machine Interface
- Pressure Sensors / Flow Sensors
- Measurement Sensors

Motors for FA & Industrial Application

- Static Control Devices
- Laser Markers / 2D Code Readers
- Machine Vision System

Motors for Facility/Home appliance & Automotive

- AC Servo
- Motors for HVAC & Automotive

