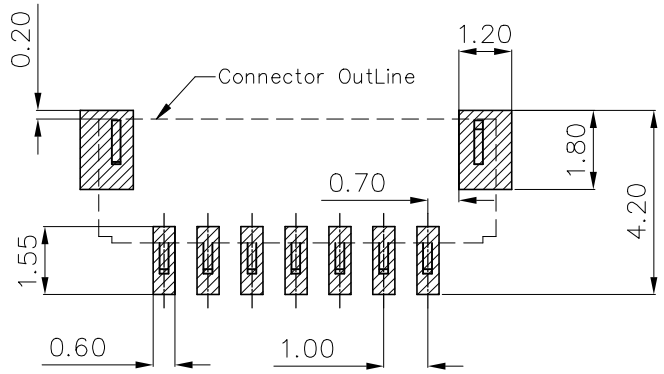
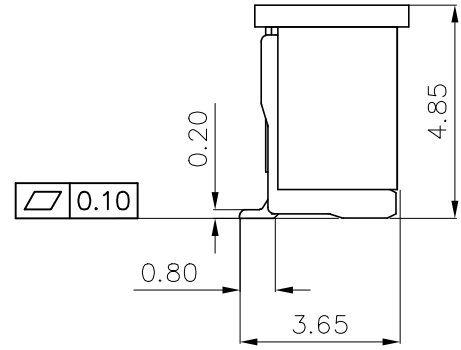
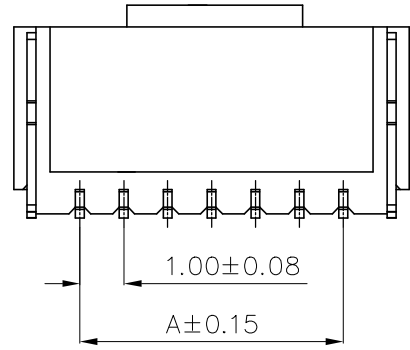
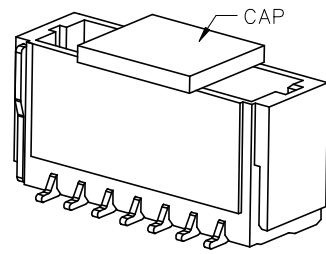
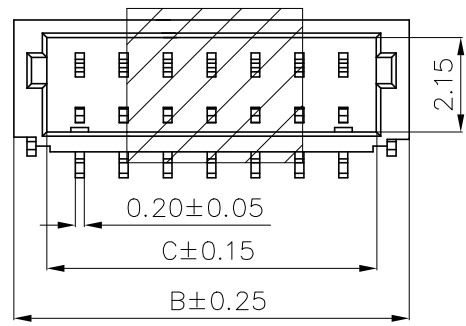


Amphenol FCI
© 2016 AFCI



Recommended P.C.B Layout
General Tolerance±0.05

NOTE:

- 1.MATERIAL:
 - 1-1 HOUSING: LCP, HALOGEN FREE, 94V-0
 - 1-2 CONTACT: PHOSPHOR BRONZE
 - 1-3 SOLDER PIN: PHOSPHOR BRONZE
- 2.FINISH:
 - 2-1 CONTACT: REFER TO ODERING CODE
 - 2-2 SOLDER TAB: MATTE TIN PLATING
- 3.PRODUCT SPEC:
 - PRODUCT SPECIFICATION GS-12-1654
- 4.PARTS MEET REFLOW APPLICATION PEAK TEM. 260°C, 10 SECONDS MAX.
- 5.VOLTAGE RATING: 50V AC/DC. CURRENT RATING: 1A AC/DC
- 6.TEMPERATUR RANGE: -25°C~+85°C
- 7.WITHSTANDING VOLTAGE: 500V AC/MINUTE
- 8.CONTACT RESISTANCE: 20m ohm MAX INITIAL
40m ohm MAX AFTER TEST
- 9.INSULATION RESISTANCE: 100M ohm MIN
- 10.MATE WITH RECEPTACLE: AFCI 10157377
- 11.ORDERING CODE: 10157376-XX X X X LF

NO. OF PINS _____ PACKAGE
02~20: 02~20PINS 1: TAPE & REEL

COLOR OF HOUSING _____ CONTACT FINISH
1: NATURAL 0: All Gold Flash
1: MATTE TIN PLATING

Poles	Dimensions(mm)			Poles	Dimensions(mm)		
	A	B	C		A	B	C
02	1.00	4.00	2.50	12	11.00	14.00	12.50
03	2.00	5.00	3.50	13	12.00	15.00	13.50
04	3.00	6.00	4.50	14	13.00	16.00	14.50
05	4.00	7.00	5.50	15	14.00	17.00	15.50
06	5.00	8.00	6.50	16	15.00	18.00	16.50
07	6.00	9.00	7.50	17	16.00	19.00	17.50
08	7.00	10.00	8.50	18	17.00	20.00	18.50
09	8.00	11.00	9.50	19	18.00	21.00	19.50
10	9.00	12.00	10.50	20	19.00	22.00	20.50
11	10.00	13.00	11.50				

mat'l. code		surface <input checked="" type="checkbox"/> ISO 1302		tolerance <input checked="" type="checkbox"/> ISO 406 <input type="checkbox"/> ISO 1101		projection		product family FITMATE	
ltr	ecn no	dr	date	tolerances unless otherwise specified		title		sheet 1 of 1 size	
A	New Release	Jason	2020-7-2	angles	.X±.5	1.00mm pitch connector header Vertical		A3	
B	ELX-N-55517	CP Ji	2025/04/21	linear	.XX±.25	scale 4:1		dwg no 10157376	
				0'±x'	.XXX±.10	Amphenol FCI		type Product Customer Drawing	
sheet	revision	B		dr	Jason Wang	2020-7-2			
index	sheet	1		enr	Jason Wang	2020-7-2			
				chr	-	-			
				appd	-	-			