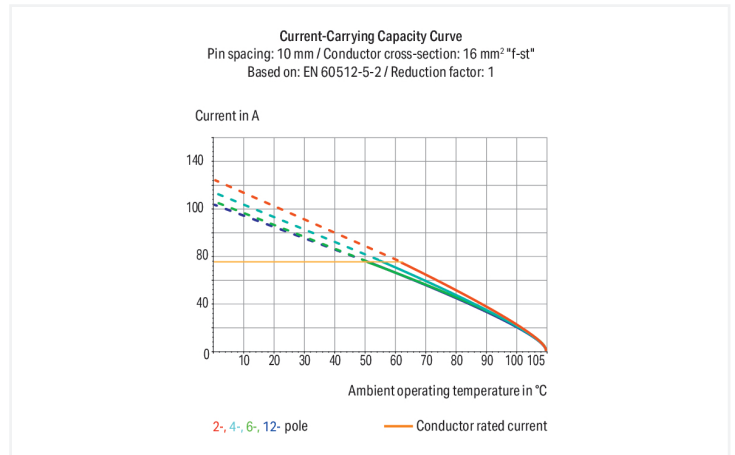


# Data Sheet | Item Number: 2616-1105/020-000

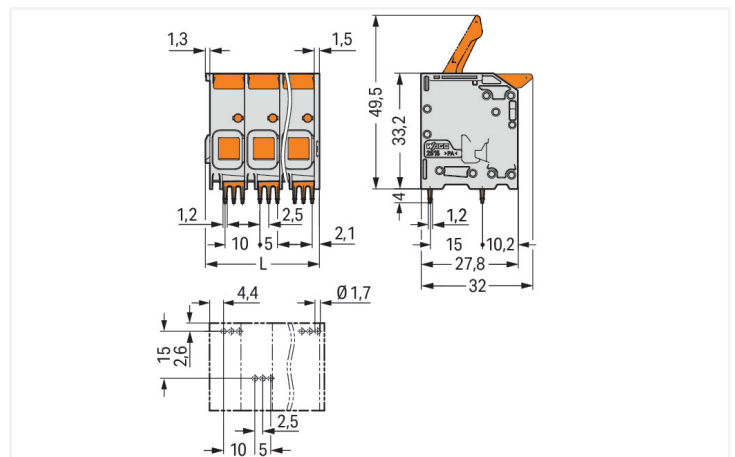
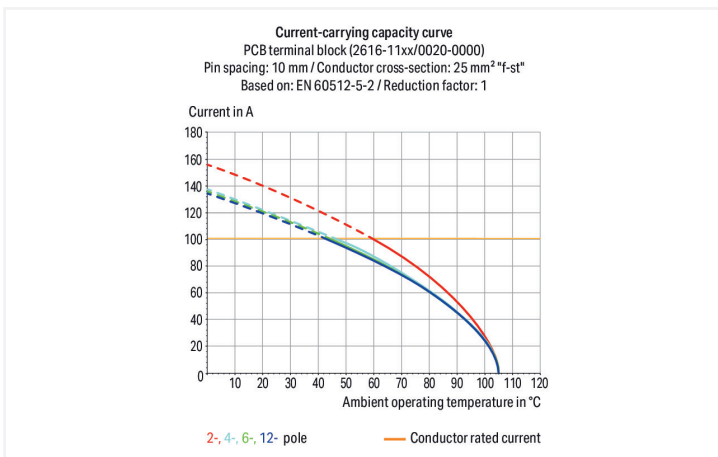
PCB terminal block; lever; 16 mm<sup>2</sup>; Pin spacing 10 mm; 5-pole; Push-in CAGE CLAMP®; gray

<https://www.wago.com/2616-1105/020-000>



Color: ■ gray

Similar to illustration



Dimensions in mm  
L = (pole no. - 1) x pin spacing + 12.8 mm

PCB terminal block, 2616 Series, gray

Our PCB terminal block (item number 2616-1105/020-000) makes connections quick and easy. It is a universal connector that can be used almost anywhere, for example, as a pluggable PCB connector, panel feedthrough header, connector for rail-mount terminal blocks, or a floating connector for different mounting methods. Ensure that the strip lengths are between 18 and 20 mm when connecting conductors to this PCB terminal block. Featuring one conductor terminal along with Push-in CAGE CLAMP®, this product outperforms the competition. Push-in CAGE CLAMP® connection technology is ideal for connecting all conductor types. Solid and fine-stranded conductors with ferrules can be inserted without needing to use any tools—all thanks to its pluggable design. The item's dimensions are (52.8 x 37.2 x 32) mm (width x height x depth). Depending on the conductor type, this PCB terminal block is ideal for conductor cross sections ranging from 0.75 mm<sup>2</sup> to 16 mm<sup>2</sup>. Tin is used for coating the contact surfaces. This PCB terminal block is operated with a lever. THT is used to solder the PCB terminal block. Insert the conductor at an angle of 0°.

## Notes

Variants:	Other pole numbers Direct marking Other colors Other versions (or variants) can be requested from WAGO Sales or configured at <a href="https://configurator.wago.com/">https://configurator.wago.com/</a> .
-----------	--

## Electrical data

Ratings per	IEC/EN 60664-1			Approvals per	UL 1059		
Overtoltage category	III	III	II	Use group	B	C	D
Pollution degree	3	2	2	Rated voltage	600 V	600 V	-
Nominal voltage	1000 V	1000 V	1000 V	Rated current	66 A	66 A	-
Rated impulse withstand voltage	8 kV	8 kV	8 kV				
Rated current	76 A	76 A	76 A				

Approvals per	CSA		
Use group	B	C	D
Rated voltage	600 V	600 V	-
Rated current	66 A	66 A	-

## Connection Data

Clamping units	5	<b>Connection 1</b>	
Total number of potentials	5	Connection technology	Push-in CAGE CLAMP®
Number of connection types	1	Actuation type	Lever
Number of levels	1	Solid conductor	0.75 ... 16 mm <sup>2</sup> / 18 ... 4 AWG
		Fine-stranded conductor	0.75 ... 25 mm <sup>2</sup> / 18 ... 4 AWG
		Fine-stranded conductor; with insulated ferrule	0.75 ... 16 mm <sup>2</sup>
		Fine-stranded conductor; with uninsulated ferrule	0.75 ... 16 mm <sup>2</sup>
		Fine-stranded conductor; with twin ferrule	0.75 ... 6 mm <sup>2</sup>
		Strip length	18 ... 20 mm / 0.71 ... 0.79 inches
		Conductor connection direction to PCB	0°
		Pole number	5

## Physical data

Pin spacing	10 mm / 0.394 inches
Width	52.8 mm / 2.079 inches
Height	37.2 mm / 1.465 inches
Height from the surface	33.2 mm / 1.307 inches
Depth	32 mm / 1.26 inches
Solder pin length	4 mm
Solder pin dimensions	1.2 x 1.2 mm
!	1.7 <sup>(+0.1)</sup> mm

### PCB contact

PCB contact	THT
Solder pin arrangement	over the entire terminal strip (staggered)
Number of solder pins per potential	3

### Material data

Note (material data)	<a href="#">Information on material specifications can be found here</a>
Color	gray
Material group	I
Insulation material (main housing)	Polyamide (PA66)
Flammability class per UL94	V0
Clamping spring material	Chrome-nickel spring steel (CrNi)
Contact material	Electrolytic copper (E <sub>cu</sub> )
Contact Plating	Tin
Fire load	0.764 MJ
Actuator color	orange
Weight	46.8 g

### Environmental requirements

Limit temperature range	-60 ... +105 °C
Processing temperature	-35 ... +60 °C

### Commercial data

PU (SPU)	18 pcs
Packaging type	Box
Country of origin	PL
GTIN	4066966475418
Customs tariff number	85369010000

### Product Classification

UNSPSC	39121409
eCl@ss 10.0	27-44-04-01
eCl@ss 9.0	27-44-04-01
ETIM 9.0	EC002643
ETIM 10.0	EC002643
ECCN	NO US CLASSIFICATION

### Environmental Product Compliance

RoHS Compliance Status	Compliant, No Exemption
------------------------	-------------------------

## Approvals / Certificates

### General approvals



Approval	Standard	Certificate Name
CB DEKRA Certification B.V.	EN 60947-7-4	NL-61617
CB DEKRA Certification B.V.	IEC 60947-7-4	NL-107877
CSA CSA Group	C22.2 No. 158	70154737
CSA DEKRA Certification B.V.	C22.2	70154737
DEKRA DEKRA Certification B.V.	EN 60947-7-4	71-148282
KEMA/KEUR DEKRA Certification B.V.	EN 60947-7-4	71-110774
UL Underwriters Laboratories Inc.	C22.2 No. 158	UL-US- L45172-6187173-60217102-1

## Downloads

### Environmental Product Compliance

#### Compliance Search

Environmental Product Compliance 2616-1105/020-000	↓
---	---

## Documentation

### Additional Information

Technical Section	03.04.2019	pdf 2027.26 KB	↓
-------------------	------------	-------------------	---

## CAD/CAE-Data

### CAD data

2D/3D Models 2616-1105/020-000	↓
-----------------------------------	---

### CAE data

ZUKEN Portal 2616-1105/020-000	↓
-----------------------------------	---

### PCB Design

Symbol and Footprint via SamacSys 2616-1105/020-000	↓
---	---

Symbol and Footprint via Ultra Librarian 2616-1105/020-000	↓
--	---

## 1 Compatible Products

### 1.1 Optional Accessories

#### 1.1.1 Ferrule

##### 1.1.1.1 Ferrule



**Item No.: 216-284**

Ferrule; Sleeve for 1.5 mm<sup>2</sup> / AWG 16; insulated; electro-tin plated; electrolytic copper; gastight crimped; acc. to DIN 46228, Part 4/09.90; black



**Item No.: 216-289**

Ferrule; Sleeve for 10 mm<sup>2</sup> / AWG 8; insulated; electro-tin plated; electrolytic copper; gastight crimped; acc. to DIN 46228, Part 4/09.90; red



**Item No.: 216-210**

Ferrule; Sleeve for 16 mm<sup>2</sup> / AWG 6; insulated; electro-tin plated; electrolytic copper; gastight crimped; acc. to DIN 46228, Part 4/09.90; blue



**Item No.: 216-286**

Ferrule; Sleeve for 2.5 mm<sup>2</sup> / AWG 14; insulated; electro-tin plated; electrolytic copper; gastight crimped; acc. to DIN 46228, Part 4/09.90; blue



**Item No.: 216-287**

Ferrule; Sleeve for 4 mm<sup>2</sup> / AWG 12; insulated; electro-tin plated; electrolytic copper; gastight crimped; acc. to DIN 46228, Part 4/09.90; gray



**Item No.: 216-288**

Ferrule; Sleeve for 6 mm<sup>2</sup> / AWG 10; insulated; electro-tin plated; electrolytic copper; gastight crimped; acc. to DIN 46228, Part 4/09.90; yellow

#### 1.1.2 Jumper

##### 1.1.2.1 Jumper

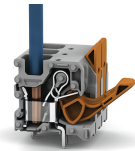


**Item No.: 2616-902**

Jumper; for conductor entry; 2-way; insulated; gray

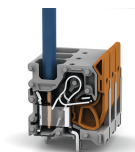
## Installation Notes

### Conductor termination



Insert fine-stranded conductors – and remove all conductors – via operating tool.

### Conductor termination



Insert solid conductors via push-in termination.