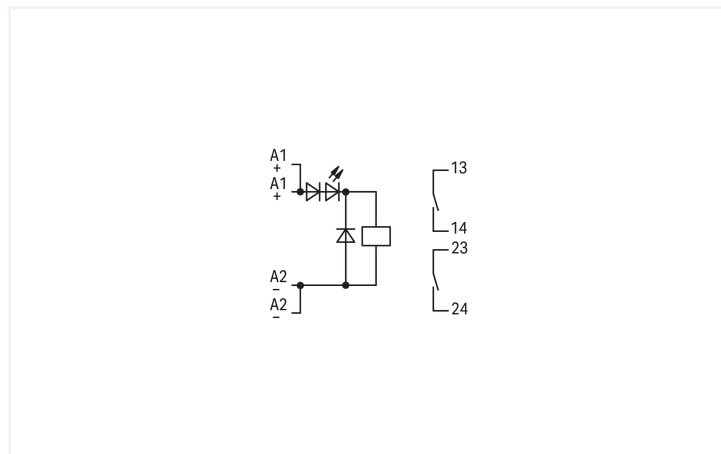


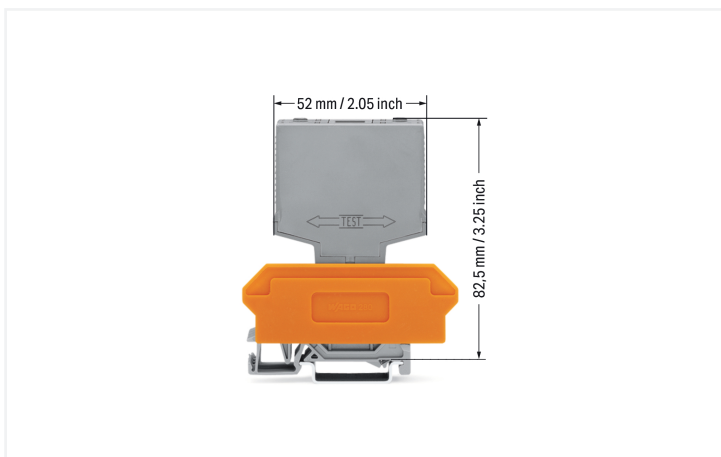
Data Sheet | Item Number: 286-328

Relay module; Nominal input voltage: 24 VDC; 2 make contact; Limiting continuous current: 6 A; Red status indicator; Module width: 20 mm; gray

<https://www.wago.com/286-328>



Color: ■ gray



Technical data

Control circuit

Nominal input voltage U_N	24 VDC
Input voltage range	$\pm 10\%$
Nominal input current at U_N	8 mA

Load circuit

Number of make/switch-on contacts	2
Contact material (relay)	AgSnO ₂
Limiting continuous current	6 A
Inrush current (resistive) max.	(AC) 15 A / 1 s
Switching Voltage, Max.	250 VAC
Switching power (resistive) max.	AC 1500 VA
Pull-in time (typ.)	10 ms
Drop-out time (typ.)	4 ms
Bounce time (typ.)	1 ms
Electrical life (NO; resistive load; 23 °C)	100 x 10 ³ switching operations
Mechanical life	50 x 10 ⁶ switching operations

Signaling

Status indicator	Red LED
------------------	---------

Safety and protection

Rated Voltage	300 V
Rated impulse withstand voltage	4 kV
Overvoltage category	II
Pollution degree	2
Dielectric strength (control/load circuit) (AC, 1 min)	3 kVrms
Dielectric strength (open contact) (AC, 1 min)	1 kVrms
Dielectric strength (load/load circuit) (AC, 1 min)	1.5 kVrms
Insulation type (control/load circuit)	Reinforced insulation (safe isolation)
Insulation type (load/load circuit)	Functional insulation
Insulation type (between adjacent devices of the same type)	Reinforced insulation (safe isolation)
Protection type	IP20

Physical data

Width	20 mm / 0.787 inches
Height	52 mm / 2.047 inches
Depth from upper-edge of DIN-rail	82.5 mm / 3.248 inches
Note (dimensions)	Depth including carrier terminal block

Mechanical data

Mounting type	Pluggable module for receptacle terminal blocks
---------------	---

Material data

Note (material data)	Information on material specifications can be found here
Color	gray
Fire load	0.389 MJ
Weight	28.5 g

Environmental requirements

Ambient temperature (operation at U_N)	-25 ... +40 °C
Ambient temperature (storage)	-25 ... +70 °C
Processing temperature	-25 ... +50 °C
Relative humidity	5 ... 93 % (no condensation permissible)
Operating altitude (max.)	2000 m

Standards and Specifications

Standards/specifications	EN 61010-2-201
--------------------------	----------------

Commercial data

Product Group	6 (INTERFACE ELECTRONIC)
PU (SPU)	10 (1) pcs
Packaging type	Box
Country of origin	DE
GTIN	4045454319540
Customs tariff number	85364900990

Product Classification

UNSPSC	39122334
eCl@ss 10.0	27-37-16-01
eCl@ss 9.0	27-37-16-01
ETIM 9.0	EC001437
ETIM 10.0	EC001437
ECCN	NO US CLASSIFICATION

Environmental Product Compliance

CAS-No.	7439-92-1 79-94-7
REACH Candidate List Substance	2,2',6,6'-tetrabromo-4,4'-isopropylidenediphenol Lead
RoHS Compliance Status	Compliant,With Exemption
RoHS Exemption	7(a) 7(c)-I
SCIP notification number (Austria)	9ec331bc-4e3f-4a6f-a0b5-541d7bf95266
SCIP notification number (Belgium)	ad41781b-e80b-48f9-a959-b0543994faf7
SCIP notification number (Bulgaria)	3dbcb743-ecea-4504-89e0-e4b455be2431
SCIP notification number (Czech Republic)	090ee38e-ef53-4f90-9a7f-f43f601b0feb
SCIP notification number (Denmark)	e3f21f7b-83e9-4f09-8502-9010a9097ff3
SCIP notification number (Finland)	03ab8861-c498-492f-9a62-43ba997cc89e
SCIP notification number (France)	685a717a-c093-4a4b-96e9-ab4f048cdcc5
SCIP notification number (Germany)	ca6ddf7-c4de-4e2a-bfd5-7717e12733d1
SCIP notification number (Hungary)	6b876fc6-fc87-4840-8c03-c3c0c0a85f7e
SCIP notification number (Italy)	ee635f1f-4d3c-49a8-b1dd-e712c9283c29
SCIP notification number (Netherlands)	8bd75dca-8da8-44ac-bde3-c0c8e8093933
SCIP notification number (Poland)	4e1ff327-c58c-4927-af20-324698879275
SCIP notification number (Romania)	2481b2b6-e784-41d0-adc7-1dea3ddc97b7
SCIP notification number (Sweden)	10af2af1-14c1-458b-977b-316abee978dd

Approvals / Certificates

General approvals



Approval	Standard	Certificate Name
EAC GZO Almaty Standart	TP TC 004/2011	EAC CoC 03078

Declarations of conformity and manufacturer's declarations

Approval	Standard	Certificate Name
EU-Declaration of Confor- mity WAGO GmbH & Co. KG	-	-
UK-Declaration of Confor- mity WAGO GmbH & Co. KG	-	-

Downloads

Environmental Product Compliance

Compliance Search

Environmental Product Compliance 286-328



Documentation

Bid Text

286-328	19.02.2019	xml 3.79 KB	
286-328	22.03.2018	doc 27.00 KB	

Instruction Leaflet

Operation and Assembly Instructions Interface	V 1.0.0 02.04.2025	pdf 1246.19 KB	
---	-----------------------	-------------------	--

CAD/CAE-Data

CAD data

2D/3D Models 286-328



CAE data

WSCAD Universe 286-328	
ZUKEN Portal 286-328	

1 Compatible Products

1.1 Optional Accessories

1.1.1 Marking

1.1.1.1 Marker



[Item No.: 209-701](#)

WSB marking card; as card; not stretchable; plain; snap-on type; white

1.1.2 Terminal blocks

1.1.2.1 Terminal block for pluggable modules



[Item No.: 280-638](#)

Terminal block for pluggable modules; 8-pole; with 2-conductor terminal blocks; with orange separator; for DIN-rail 35 x 15 and 35 x 7.5; 2.5 mm²; CAGE CLAMP®; 2,50 mm²; gray



[Item No.: 280-764](#)

Terminal block for pluggable modules; 8-pole; with 4-conductor terminal blocks; with marker carrier; with orange separator; for DIN-rail 35 x 15 and 35 x 7.5; 2.5 mm²; CAGE CLAMP®; 2,50 mm²; gray

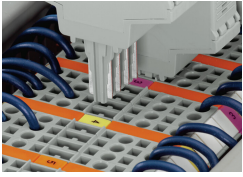


[Item No.: 280-628](#)

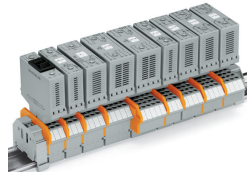
Terminal block for pluggable modules; 8-pole; with 4-conductor terminal blocks; with orange separator; for DIN-rail 35 x 15 and 35 x 7.5; 2.5 mm²; CAGE CLAMP®; 2,50 mm²; gray

Installation Notes

Installation

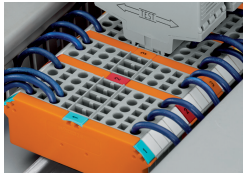


Coding ensures correct polarity.



Pluggable electronic modules on 2- or 4-conductor carrier terminal blocks

Marking



Marking via WMB Multi Marking System.

Testing



Function testing via touch-proof test slots