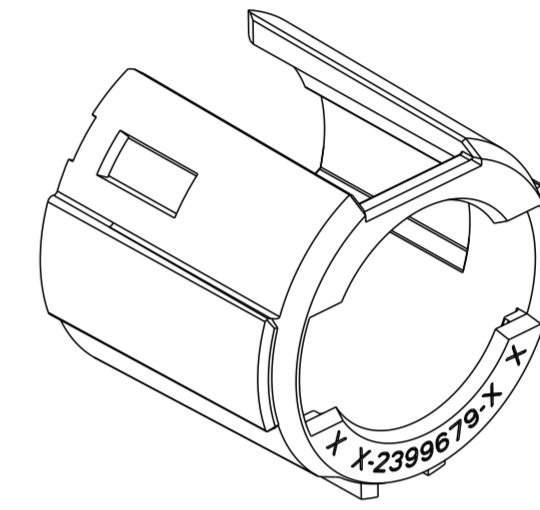
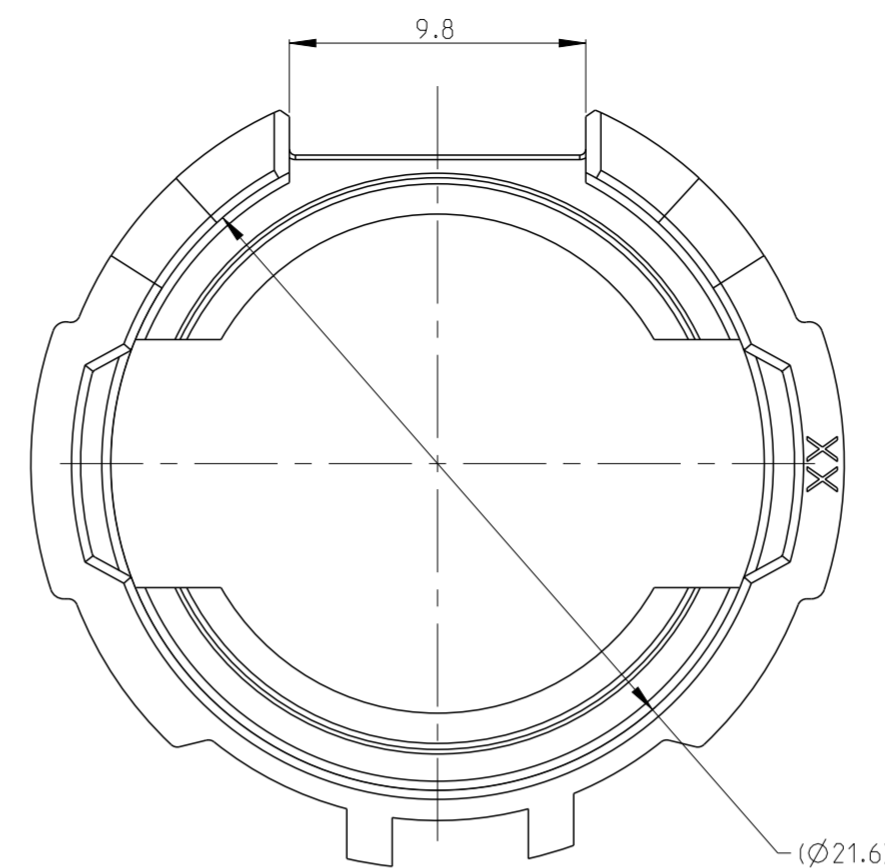
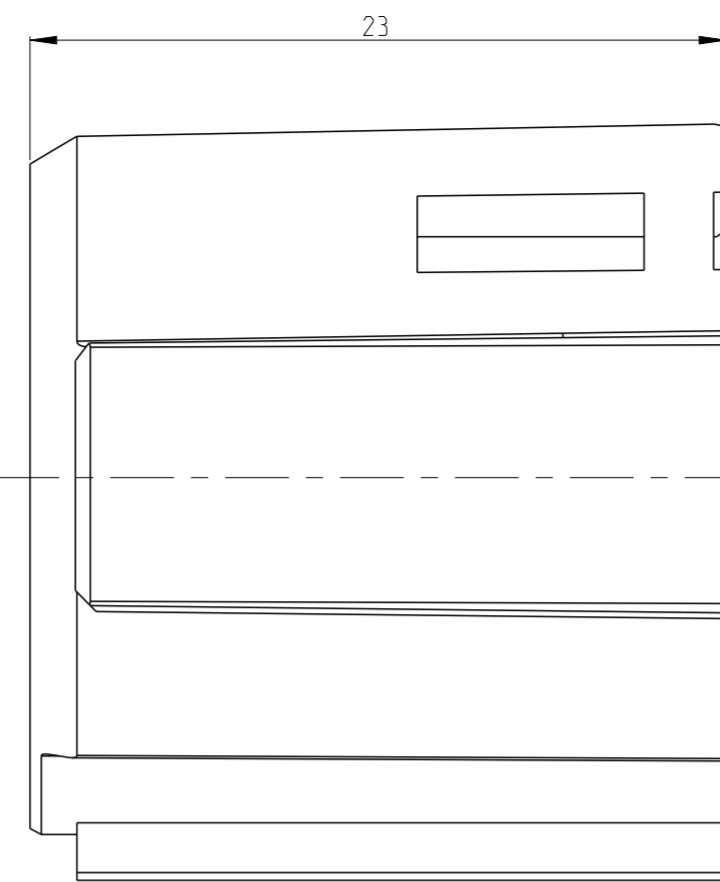
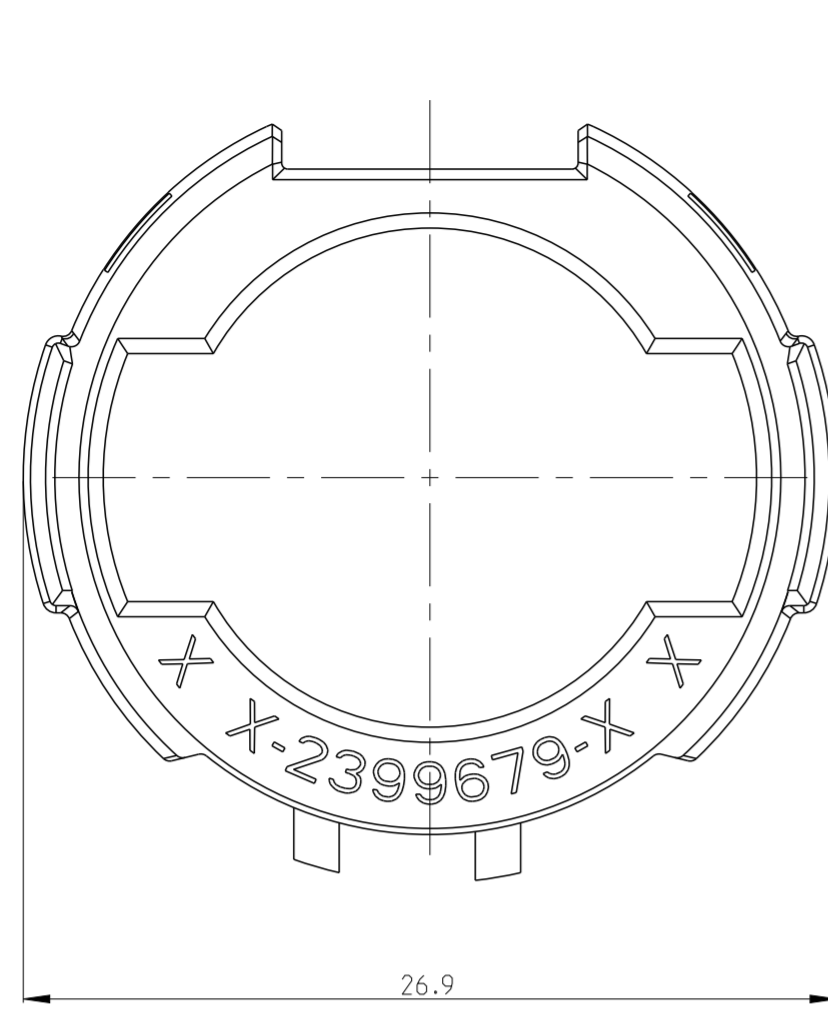


REVISIONS

P	LTR	DESCRIPTION	DATE	DWN	APVD
A		INITIAL DRAWING	06FEB2023	S.T	Z.Z
A1		REMOVE NON-STANDARD ANNOTATION	28NOV2023	S.T	Z.Z
B		PCN-24-198741	24MAR2024	B.W	Z.Z



SCALE 4:1

SCALE 2:1

-1 AS SHOWN

CODE A	CODE B	CODE C	CODE D	CODE E	CODE F
CODE G	CODE H	CODE J	CODE K	CODE L	CODE M

- 1 MATERIAL: PA66-GF
- 2. BULK PACKAGE

AQUA RED	M	1-2399679-3
AQUA BROWN	L	1-2399679-2
AQUA GREEN	K	1-2399679-1
ORANGE	J	2399679-9
YELLOW	H	2399679-8
RED	G	2399679-7
BROWN	F	2399679-6
GREEN	E	2399679-5
PURPLE	D	2399679-4
BLUE	C	2399679-3
NATURE	B	2399679-2
BLACK	A	2399679-1
COLOR	CODE	PART NO.

THIS DRAWING IS A CONTROLLED DOCUMENT.

DIMENSIONS:	TOLERANCES UNLESS OTHERWISE SPECIFIED:	DWN	06FEB2023
mm	±0.3	CHK	06FEB2023
	0-PLC ±0.1	APVD	06FEB2023
	1-PLC ±0.01	PRODUCT SPEC	108-160407
	2-PLC ±0.001	APPLICATION SPEC	114-160223/160418
	3-PLC ±0.0001	WEIGHT	3.47g
	4-PLC ±0.0001	CUSTOMER DRAWING	
MATERIAL	finish_spec_2	TE Connectivity NAME PLUG TPA HVP-HD1400 SIZE A2 CAGE CODE 00779 DRAWING NO. C-2399679 RESTRICTED TO - SCALE 2:1 SHEET 1 OF 1 REV B	