

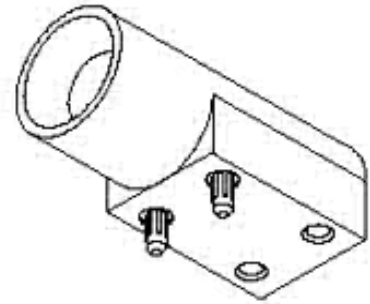
**Part Number :** [761531002](#)

**Product Description :** 11.00mm Stand Alone, Pirate Cannon Wide Guide Module, Zinc Die Cast, with ESD Clips

**Series Number :** 76153

**Status :** Active

**Product Category :** Backplane Connectors



---

## Documents and Resources

### Drawings

[761531002\\_sd.pdf](#)

[PK-70873-590-001.pdf](#)

### 3D Models and Design Files

[STEP AP242](#)

[SOLIDWORKS](#)

[Creo](#)

[SYM-76153-1002-001.zip](#)


### Specifications

[PS-76060-999-001.pdf](#)

---

## Product Environment Compliance

### Compliance

GADSL/IMDS	Not Relevant
China RoHS	 per SJ/T 11365-2006
EU ELV	Not Relevant
Low-Halogen Status	Low-Halogen per IEC 61249-2-21
REACH SVHC	Not Contained per D(2025)6375-DC (05 Nov 2025) SCIP:
EU RoHS	Compliant per EU 2015/863

### [Compliance Statements](#)

- EU RoHS

- REACH SVHC
- Low-Halogen

#### Industry Documents

- IPC 1752A Class C
- IPC 1752A Class D
- Molex Product Compliance Declaration
- IEC-62474
- chemSHERPA (xml)

#### Substances of Interest

- PFAS

#### EU RoHS Certificate of Compliance

#### Additional Product Compliance Information

## Part Details

### General

Status	Active
Category	Backplane Connectors
Series	76153
Description	11.00mm Stand Alone, Pirate Cannon Wide Guide Module, Zinc Die Cast, with ESD Clips
Application	Backplane, Midplane, Orthogonal
Comments	For additional Impact product information and design assistance, please email <a href="mailto:mailto:impact@molex.com">mailto:impact@molex.com</a>
Component Type	Guide
Product Name	GbX,GbX I-Trac,HDM,Impact,VHDM,VHDM-HSD,Z-PACK TinMan
UPC	883906386009

### Electrical

Current - Maximum per Contact	N/A
Data Rate	N/A
Shielded	No
Voltage - Maximum	N/A

## Physical

Circuits (Loaded)	0
Circuits (maximum)	0
Durability (mating cycles max)	200
First Mate / Last Break	Yes
Guide to Mating Part	Yes
Keying to Mating Part	None
Material - Metal	Zinc Alloy
Material - Plating Mating	Gold
Net Weight	10.995/g
Number of Columns	N/A
Number of Pairs	N/A
Number of Rows	0
Orientation	Right Angle
Packaging Type	Bag
PCB Locator	Yes
PCB Retention	Yes
PCB Thickness - Recommended	1.00mm
PC Tail Length	N/A
Pitch - Mating Interface	N/A
Pitch - Termination Interface	N/A
Polarized to PCB	Yes
Stackable	No
Temperature Range - Operating	N/A

## Solder Process Data

Max-Duration	40
Lead-Free Process Capability	SMC&WAVE
Max-Cycle	3
Max-Temp	260

---

## Mates With / Use With

### Mates with Part(s)

Description	Part Number
-------------	-------------

GbX I-Trac Backplane Free Standing Wide Guide Pin, Use with 1.60mm minimum PCB Thickness, 28.14 Height	<u>752341478</u>
---	------------------

---

This document was generated on Dec 25, 2025