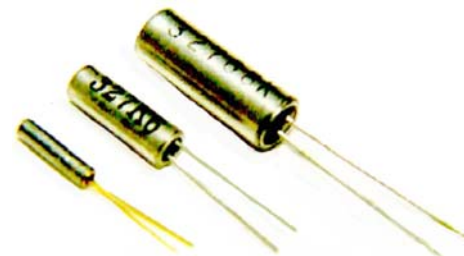


- Micro tubular holder (cylindrical type) X-cut tuning fork crystals.
- Ideal for 1Hz timing frequency.
- Compact and high-shock.



### **SPECIFICATIONS**

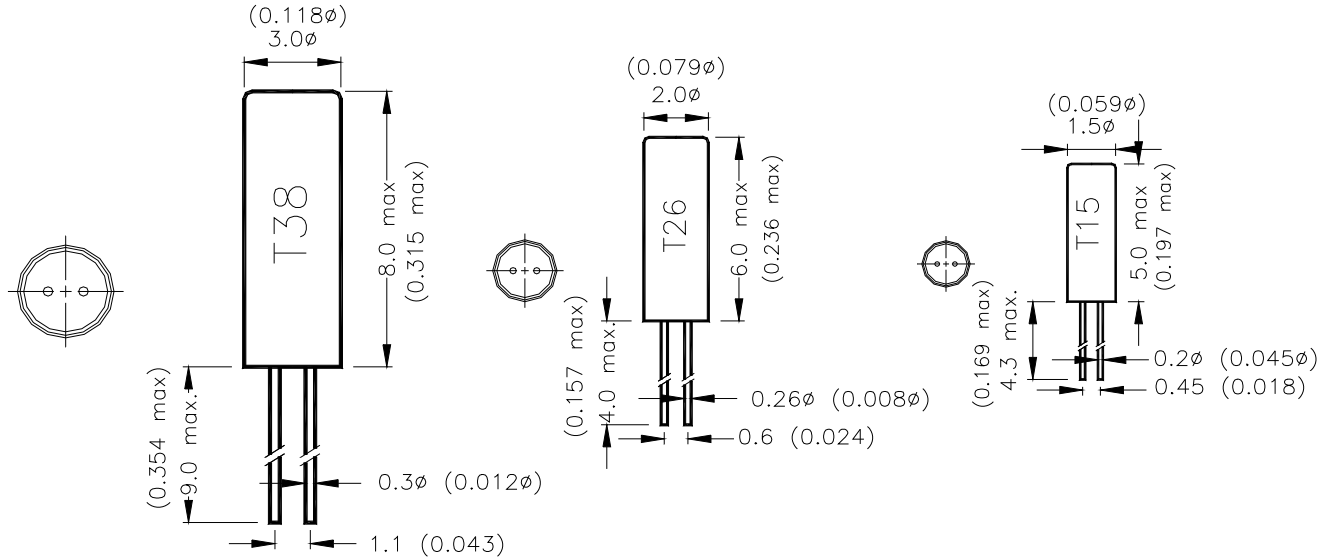
Frequency:	32.768 kHz		
Crystal Holder Prefix:	T15	T26	T38
MEC Part Number:	T15-32.768K-8P	T26-32.768K-12.5P	T38-32.768K-12.5P
Holder Sizes:	1.5 <sup>∅</sup> mm x 5.0mm	2.0 <sup>∅</sup> mm x 6.0mm	3.0 <sup>∅</sup> mm x 8.0mm
Frequency Tolerance at 25°C:	±15 ppm; ±20 ppm (standard), ±30 ppm		
Maximum Series Resistance:	40 kΩ max.	35 kΩ max.	35 kΩ max.
Quality Factor (Q):	40,000 minimum	50,000 minimum	50,000 minimum
Motional Capacitance (C1):	0.0025 pf typical	0.0030 pf typical	0.0035 pf typical
Shunt Capacitance (Co):	1.00 pf typical	1.35 pf typical	1.60 pf typical
Capacitance Ratio (Co/C1):	400 typical	450 typical	460 typical
Load Capacitance (CL):	8pF typical	6 pF or 12.5 pF	6 pF or 12.5pF
Vibration Type:	X-cut		
Turnover Temperature (TT):	25°C ±5°C		
Drive Level:	1 μW max.		
Parabolic Curvature Constant:	-0.035ppm / °C <sup>2</sup> typical		
Operating Temperature Range:	-10°C to +60°C		
Storage Temperature Range:	-30°C to +70°C		
Shock:	3 ppm maximum 3 drops from a height of 75 cm onto hardwood		
Vibration:	3 ppm maximum		
Aging:	First year: 3 ppm maximum at 25°C		

**MERCURY** [www.mercury-crystal.com](http://www.mercury-crystal.com)

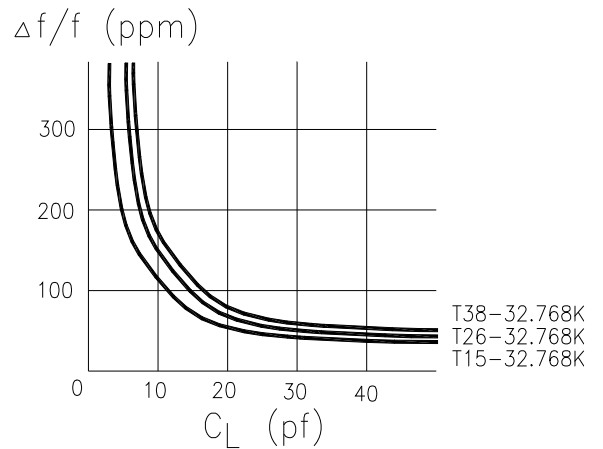
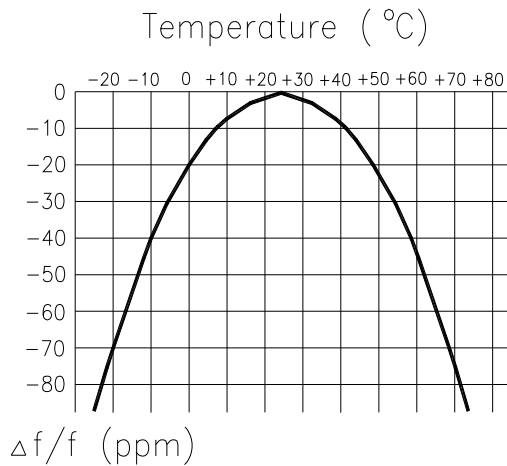
Taiwan: TEL (886)-2-2406-2779, FAX (886)-2-2496-0769, e-mail: [sales-tw@mercury-crystal.com](mailto:sales-tw@mercury-crystal.com)  
 U.S.A.: TEL (1)-909-466-0427, FAX (1)-909-466-0762, e-mail: [mercury@mercury-crystal.com](mailto:mercury@mercury-crystal.com)

**PACKAGE DIMENSIONS**

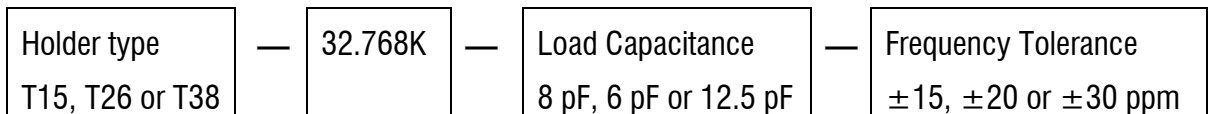
Unit: mm [inches]



**FREQUENCY-TEMPERATURE AND LOAD CAPACITANCE CHARACTERISTICS**



**HOW TO ORDER**



Example: **T26-32.768K-6P-20** represents 2x6 mm 32.768 KHz with 6 pF load capacitance and  $\pm 20$  ppm frequency tolerance.