



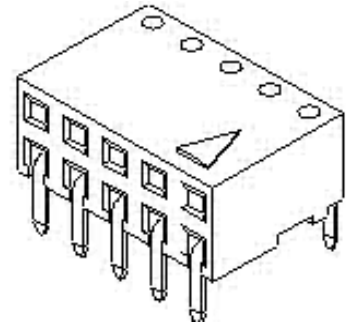
Part Number : [901522206](#)

Product Description : 2.54mm Pitch C-Grid III PC Board Connector, Dual Row, Right-Angle, Straight PCB Pins 0.38µm Gold (Au) Selective, 6 Circuits

Series Number : 90152

Status : Active

Product Category : PCB Headers and Receptacles



Documents and Resources

Drawings

[901522206 sd.pdf](#)

[PK-90152-001-001.pdf](#)

3D Models and Design Files

[STEP AP242](#)

[SOLIDWORKS](#)

[Creo](#)

[Symbol and Footprint \(Multi-Format\)](#)


Specifications

[901190001-AS-000.pdf](#)

[PS-99020-0001-001.pdf](#)

Product Environment Compliance

Compliance

GADSL/IMDS	Not Relevant
China RoHS	 per SJ/T 11365-2006
EU ELV	Not Relevant
Low-Halogen Status	Not Low-Halogen per IEC 61249-2-21
REACH SVHC	Not Contained per ED/71/2019 (16 July 2019)
EU RoHS	Compliant per EU 2015/863

Compliance Statements

- EU RoHS
- REACH SVHC
- Low-Halogen

Industry Documents

- IPC 1752A Class C
- IPC 1752A Class D
- Molex Product Compliance Declaration
- IEC-62474
- chemSHERPA (xml)

Substances of Interest

- PFAS

EU RoHS Certificate of Compliance

Additional Product Compliance Information

Part Details

General

Status	Active
Category	PCB Headers and Receptacles
Series	90152
Description	2.54mm Pitch C-Grid III PC Board Connector, Dual Row, Right-Angle, Straight PCB Pins 0.38µm Gold (Au) Selective, 6 Circuits
Application	Board-to-Board, Signal
Component Type	PCB Receptacle
Product Name	C-Grid III
UPC	800753673335

Agency

CSA	LR19980
UL	E29179

Electrical

Current - Maximum per Contact	3.0A
Grounding to PCB	No
Voltage - Maximum	350V AC/DC

Physical

Circuits (Loaded)	6
Circuits (maximum)	6
Color - Resin	Black
Durability (mating cycles max)	100
First Mate / Last Break	No
Glow-Wire Capable	No
Guide to Mating Part	No
Keying to Mating Part	None
Lock to Mating Part	None
Material - Metal	Phosphor Bronze
Material - Plating Mating	Gold
Material - Plating Termination	Tin
Material - Resin	Polyester
Net Weight	0.615/g
Number of Rows	2
Orientation	Right Angle
Packaging Type	Tube
PCB Locator	No
PCB Retention	None
PCB Thickness - Recommended	1.60mm
PC Tail Length	2.90mm
Pitch - Mating Interface	2.54mm
Pitch - Termination Interface	2.54mm
Plating min - Mating	0.381µm
Plating min - Termination	3.048µm
Polarized to Mating Part	Yes
Polarized to PCB	No
Stackable	No
Temperature Range - Operating	-55° to +125°C
Termination Interface Style	Through Hole

Solder Process Data

Lead-Free Process Capability	WAVE
------------------------------	------

Mates With / Use With

Mates with Part(s)

Description	Part Number
C-Grid III Right-Angle Dual Row Headers	<u>90122</u>
C-Grid III Vertical Dual Row Headers	<u>90131</u>

This document was generated on Dec 29, 2025