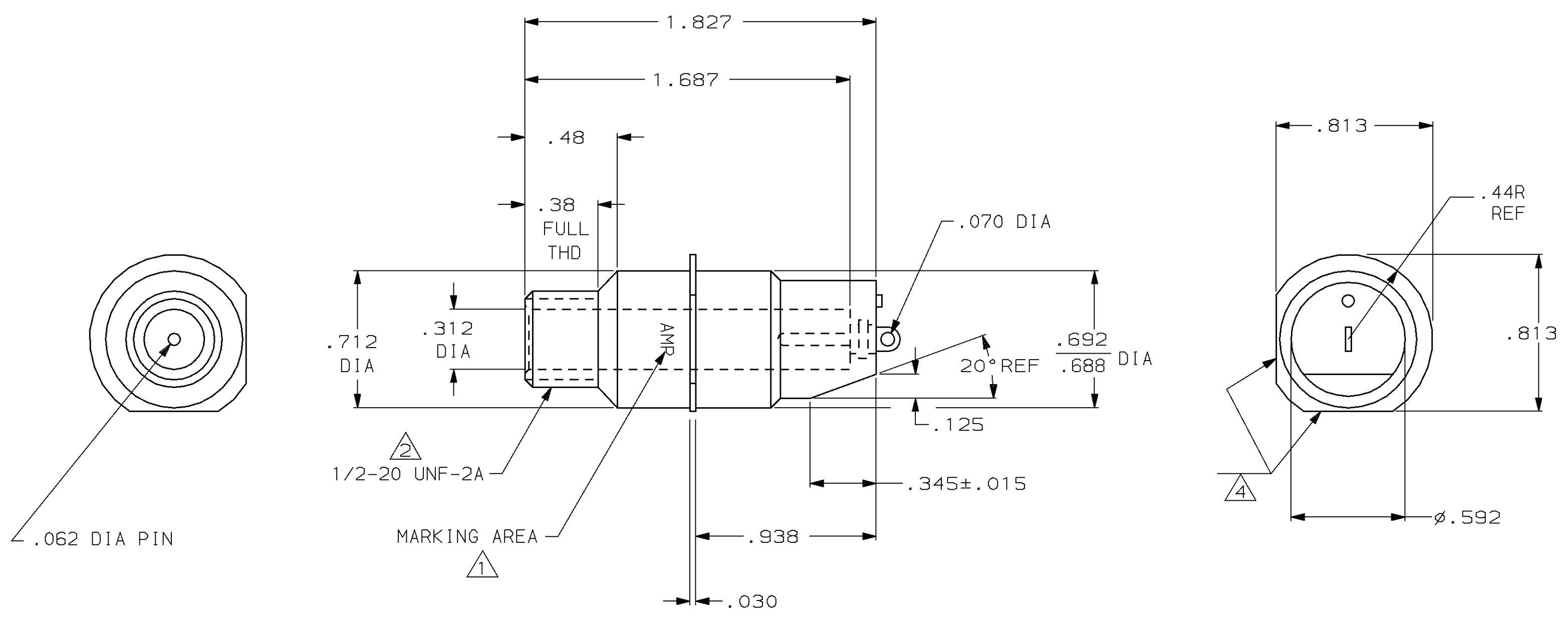


THIS DRAWING IS UNPUBLISHED. RELEASED FOR PUBLICATION ,19 .
 © COPYRIGHT 19 BY AMP INCORPORATED, HARRISBURG, PA. ALL INTERNATIONAL RIGHTS RESERVED. AMP PRODUCTS MAY BE COVERED BY U.S. AND FOREIGN PATENTS AND/OR PATENTS PENDING.

LOC	DIST	P	F	REVISIONS			DATE	APPROVED
				ZONE	LTR	DESCRIPTION		
	50			0		RLSE PR1784	8-86	MG
				A		REV PER 0600-5062-95 CT	2-96	DE



- ① MARKED PER MIL-STD-130.
- ② USING THREE WIRE METHOD; DIMENSION OVER WIRES TO BE .307/.318.
- 3. THIS RECEPTACLE IS HERMETICALLY SEALED.
- ④ EYELET PORTION OF PIN, FLATS ON FLANGE AND BEVEL TO BE ORIENTED AS SHOWN.

868850-1
PART NO

UNLESS OTHERWISE SPECIFIED DIMENSIONS ARE IN INCHES TOLERANCES ON :		DR 8-13-86 R. HEPNER		AMP INCORPORATED Harrisburg, Pa. 17105	
2 PL DEC ± .01 3 PL DEC ± .005 ANGLES ± -		CHK 8-13-86 M. GARDNER			
MATERIAL		APPD 8-13-86 M. GARDNER		NAME RECEPTACLE, LGH 1L	
-		RLSE 8-13-86 R. HEPNER			
FINISH		PRODUCT SPEC		SIZE	FSCM NO
-		APPLICATION SPEC		C	00779
-		WEIGHT		DRAWING NO	868850
				SCALE	2:1
				SHEET	1 OF 1